

Architectural Glass Fixings

Systems for Glass Balustrades
and Facades







Contents

Posiglaze 4-13

TAPER-LOC 14-37

MEGArip 38-45

Cap Rails & Hand Rails 46-51

Spig-Lite Pro 52-57

Frameless Windscreen System 58-63

Juliette Balcony 64-65

Paris Balcony 66-67

Post Railing System 68-79

Standoffs 80-83

Glass Clamps 84 - 95

Al-Wall 96 - 97

Spider Fixings 98-113

Glass Awning Support System 114-123

Cleaning & Surface Protection 124-125

Accessories 126 - 127

CRL[®]



CRL Posiglaze

CRL Posiglaze is a fully adjustable glass balustrade system that uses a unique clamping design and a quick and easy adjustable method to align glass panels when a handrail is not desired.



CRL Posiglaze - the fully adjustable aluminium railing system

FAST INSTALLATION

Designed to be installed without the need of ensuring the fitting surface is totally level.

FULLY ADJUSTABLE AFTER INSTALLATION

Posiglaze uses a unique, simple adjustment system allowing horizontal alignment of each glass panel.

LIGHT WEIGHT AND EXTREMELY STRONG

Cleverly designed out of extruded aluminium, saving weight yet keeping strength. For added protection we anodise our system increasing protection against the elements.

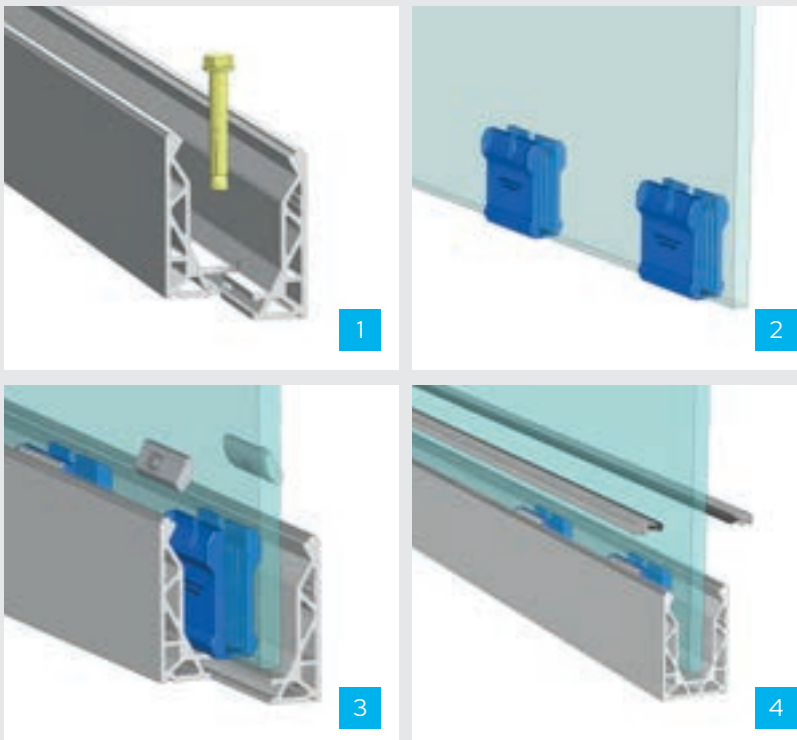
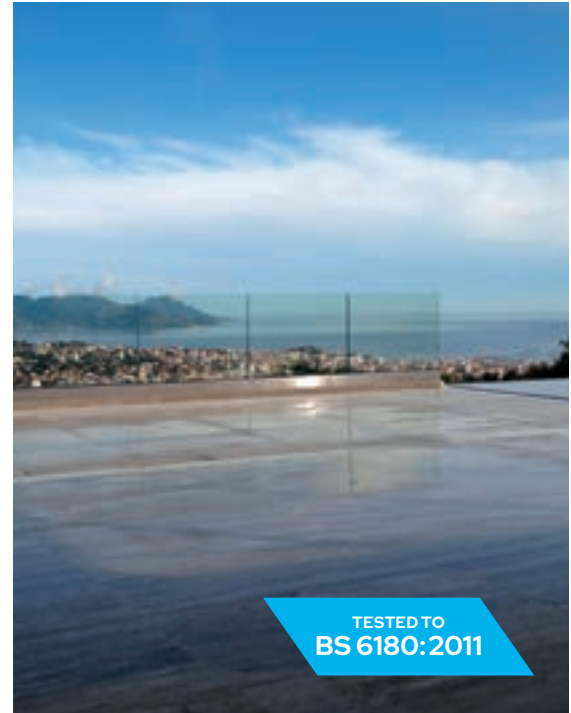
EXCELLENTLY ENGINEERED

Our system is tested & engineered to meet the strictest building regulations (with the appropriate fixing and glass thickness) in both domestic and commercial installations as per BSi standard 6180:2011.

GLASS THICKNESSES

- 12 mm, 15 mm and 19 mm toughened monolithic glass
- 13.52 mm, 17.52 mm and 21.52 mm toughened laminated glass

NOTE: ALL GLASS CLAMPS HAVE A 1mm TOLERANCE TO ACCEPT VARYING INTERLAYER THICKNESSES



Posiglaze: easy to install, easy to adjust

STEP 1

Fit the base channel (D1) to the substructure.

STEP 2

Clip the glass slip clamps (D2) to the bottom edge of the glass panel (We provide different sized clamps for different glass thicknesses).

Place the bolt screws in the pivot clamp (D3).

STEP 3

Position the glass in the channel. Using the adjustment bolts; loosening one side and tightening the other.

This will allow the alignment of the glass with the adjacent panel and enable vertical alignment of the glass.

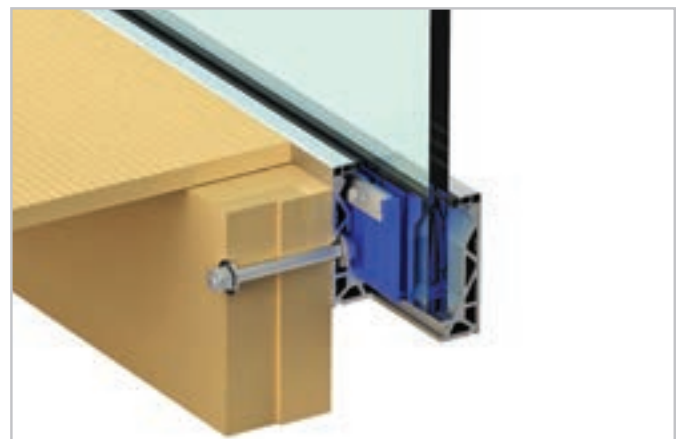
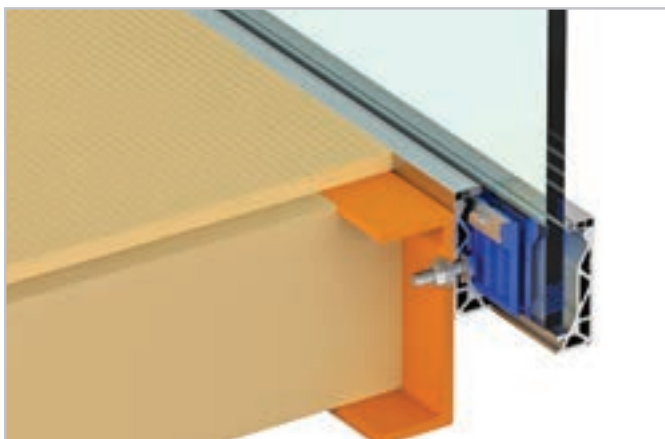
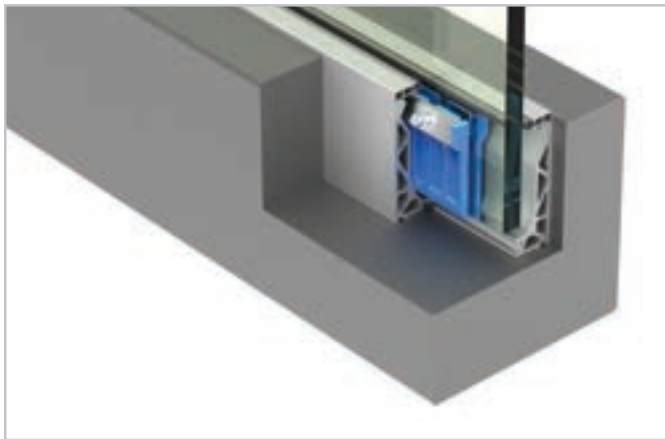
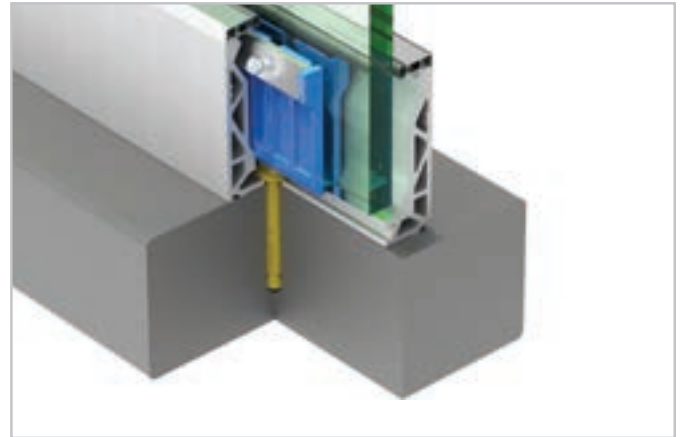
STEP 4

Attach the cover strip (D4) and bead gasket to complete the installation.

CRL Posiglaze Typical Installations

CRL Posiglaze is suitable for many applications from residential to commercial settings.

The surface mount and the fascia mount base shoes can both accommodate 12 mm to 21.52 mm glass thanks to the unique clamp kit design, providing many practical advantages over other systems on the market.



CRL Posiglaze Typical Installations

Concrete Substrate

Surface Mounted Base Shoe

GLASS THICKNESS	BASE SHOE CAT. NO.	PREDRILLED 1ST HOLE DISTANCE FROM EDGE OF BASE SHOE (MM)	PREDRILLED CENTRE-TO-CENTRE HOLE DISTANCE (MM)	FIXING HOLE CENTRES USED (MM)	# OF CLAMPS PER M
12 mm toughened monolithic	EPGDSV	100	200	400	3
15 mm toughened monolithic	EPGDSV	100	200	400	4
19 mm toughened monolithic	EPGDSV	100	200	200	4
13.52 mm toughened laminated SGP Interlayer	EPGDSV	100	200	400	3
17.52 mm toughened laminated PVB Interlayer	EPGDSV	100	200	400	4
21.52 mm toughened laminated PVB Interlayer	EPGDSV	100	200	400	4
21.52 mm toughened laminated SGP Interlayer	EPGDSV	100	200	200	4

Fascia Mounted Base Shoe

GLASS THICKNESS	BASE SHOE CAT. NO.	PREDRILLED 1ST HOLE DISTANCE FROM EDGE OF BASE SHOE (MM)	PREDRILLED CENTRE-TO-CENTRE HOLE DISTANCE (MM)	FIXING HOLE CENTRES USED (MM)	# OF CLAMPS PER M
12 mm toughened monolithic	EPGFA	100	200	400	3
15 mm toughened monolithic	EPGFA	100	200	400	4
19 mm toughened monolithic	EPGFA	100	200	200	4
13.52 mm toughened laminated SGP Interlayer	EPGFA	100	200	400	3
17.52 mm toughened laminated PVB Interlayer	EPGFA	100	200	400	4
21.52 mm toughened laminated PVB Interlayer	EPGFA	100	200	200	4
21.52 mm toughened laminated SGP Interlayer	EPGFA	100	200	200	5

Steel Substrate

Surface Mounted Base Shoe

GLASS THICKNESS	BASE SHOE CAT. NO.	PREDRILLED 1ST HOLE DISTANCE FROM EDGE OF BASE SHOE (MM)	PREDRILLED CENTRE-TO-CENTRE HOLE DISTANCE (MM)	FIXING HOLE CENTRES USED (MM)	# OF CLAMPS PER M
12 mm toughened monolithic	EPGDSV	100	200	400	3
15 mm toughened monolithic	EPGDSV	100	200	400	4
19 mm toughened monolithic	EPGDSV	100	200	200	4
13.52 mm toughened laminated SGP Interlayer	EPGDSV	100	200	400	3
17.52 mm toughened laminated PVB Interlayer	EPGDSV	100	200	400	4
21.52 mm toughened laminated PVB Interlayer	EPGDSV	100	200	400	4
21.52 mm toughened laminated SGP Interlayer	EPGDSV	100	200	200	4

Fascia Mounted Base Shoe

GLASS THICKNESS	BASE SHOE CAT. NO.	PREDRILLED 1ST HOLE DISTANCE FROM EDGE OF BASE SHOE (MM)	PREDRILLED CENTRE-TO-CENTRE HOLE DISTANCE (MM)	FIXING HOLE CENTRES USED (MM)	# OF CLAMPS PER M
12 mm toughened monolithic	EPGFA	100	200	400	3
15 mm toughened monolithic	EPGFA	100	200	400	4
19 mm toughened monolithic	EPGFA	100	200	200	4
13.52 mm toughened laminated SGP Interlayer	EPGFA	100	200	400	3
17.52 mm toughened laminated PVB Interlayer	EPGFA	100	200	400	4
21.52 mm toughened laminated PVB Interlayer	EPGFA	100	200	200	4
21.52 mm toughened laminated SGP Interlayer	EPGFA	100	200	200	5

* CRL always recommend consulting local building authority/structural engineer for guidance

** Please consult BS 6180:2011 for installation design guidance

RECOMMENDED FIXING	HORIZONTAL UNIFORMLY DISTRIBUTED LINE LOAD ACHIEVED (KN/M)	BRIEF TYPE OF OCCUPANCY FOR PART OF THE BUILDING OR STRUCTURE
M8 x 110 mm concrete anchor (EAM8)	0.36	Domestic & residential internal applications
M8 x 110 mm concrete anchor (EAM8)	0.74	Domestic & residential external applications including Juliette balconies
M8 x 110 mm concrete anchor (EAM8)	1.5	Areas where people may congregate, restaurants & bars
M8 x 110 mm concrete anchor (EAM8)	0.36	Domestic & residential internal applications
M8 x 110 mm concrete anchor (EAM8)	0.36	Domestic & residential internal applications
M8 x 110 mm concrete anchor (EAM8)	0.74	Domestic & residential external applications including Juliette balconies
M8 x 110 mm concrete anchor (EAM8)	1.5	Areas where people may congregate, restaurants & bars

RECOMMENDED FIXING	HORIZONTAL UNIFORMLY DISTRIBUTED LINE LOAD ACHIEVED (KN/M)	BRIEF TYPE OF OCCUPANCY FOR PART OF THE BUILDING OR STRUCTURE
M8 x 110 mm concrete anchor (EAM8)	0.36	Domestic & residential internal applications
M8 x 110 mm concrete anchor (EAM8)	0.74	Domestic & residential external applications including Juliette balconies
M8 x 110 mm concrete anchor (EAM8)	0.74	Areas where people may congregate, restaurants & bars
M8 x 110 mm concrete anchor (EAM8)	0.36	Domestic & residential internal applications
M8 x 110 mm concrete anchor (EAM8)	0.36	Domestic & residential internal applications
M8 x 110 mm concrete anchor (EAM8)	0.74	Domestic & residential external applications including Juliette balconies
M8 x 110 mm concrete anchor (EAM8)	1.5	Areas where people may congregate, restaurants & bars

RECOMMENDED FIXING	HORIZONTAL UNIFORMLY DISTRIBUTED LINE LOAD ACHIEVED (KN/M)	BRIEF TYPE OF OCCUPANCY FOR PART OF THE BUILDING OR STRUCTURE
Machine bolt S/S M12 X 40 mm (HHM12X40)	0.36	Domestic & residential internal applications
Machine bolt S/S M12 X 40 mm (HHM12X40)	0.74	Domestic & residential external applications including Juliette balconies
Machine bolt S/S M12 X 40 mm (HHM12X40)	1.5	Areas where people may congregate, restaurants & bars
Machine bolt S/S M12 X 40 mm (HHM12X40)	0.36	Domestic & residential internal applications
Machine bolt S/S M12 X 40 mm (HHM12X40)	0.36	Domestic & residential internal applications
Machine bolt S/S M12 X 40 mm (HHM12X40)	0.74	Domestic & residential external applications including Juliette balconies
Machine bolt S/S M12 X 40 mm (HHM12X40)	1.5	Areas where people may congregate, restaurants & bars

RECOMMENDED FIXING	HORIZONTAL UNIFORMLY DISTRIBUTED LINE LOAD ACHIEVED (KN/M)	BRIEF TYPE OF OCCUPANCY FOR PART OF THE BUILDING OR STRUCTURE
Machine bolt S/S M12 X 40 mm (HHM12X40)	0.36	Domestic & residential internal applications
Machine bolt S/S M12 X 40 mm (HHM12X40)	0.74	Domestic & residential external applications including Juliette balconies
Machine bolt S/S M12 X 40 mm (HHM12X40)	0.74	Areas where people may congregate, restaurants & bars
Machine bolt S/S M12 X 40 mm (HHM12X40)	0.36	Domestic & residential internal applications
Machine bolt S/S M12 X 40 mm (HHM12X40)	0.36	Domestic & residential internal applications
Machine bolt S/S M12 X 40 mm (HHM12X40)	0.74	Domestic & residential external applications including Juliette balconies
Machine bolt S/S M12 X 40 mm (HHM12X40)	1.5	Areas where people may congregate, restaurants & bars

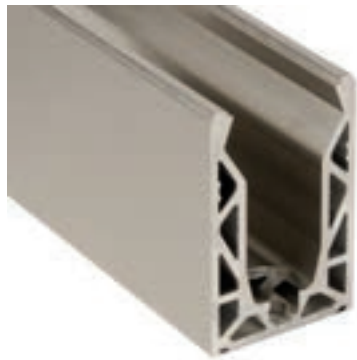
NOTE: BS6180:2011 stipulates that when toughened monolithic glass is used, a cap rail is always required.

CRL Posiglaze Surface Mount Base Shoe



For a standard 3 m surface mount installation, the following components will be required:

- 1 x 3 m Surface Mount Base Shoe
- 2 x 3 m Top Clip
- 1 x Clamp kit to suit specified glass thickness
- 1 x Spanner



Surface Mount Base Shoe

- For use with 12 to 21.52 mm glass
- Pre-drilled first hole from edge of base shoe: 100 mm
- Pre-drilled centre-to-centre hole distance: 200 mm
- Hole suited to 12 mm fixing bolt and counter bored to sink the bolt head

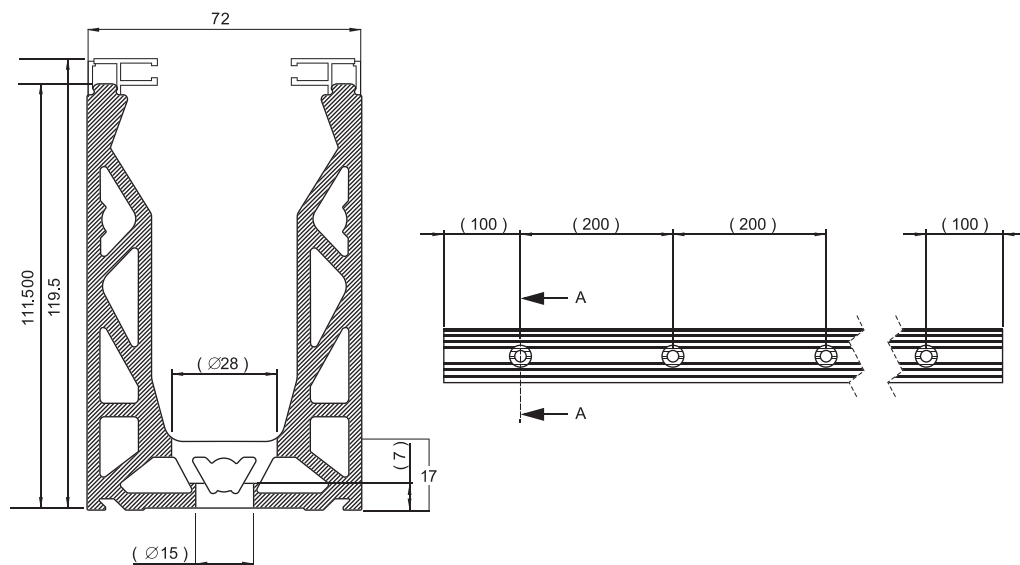
3 m length

Cat. No. EPGDSV
Brushed Stainless Steel
Anodised finish

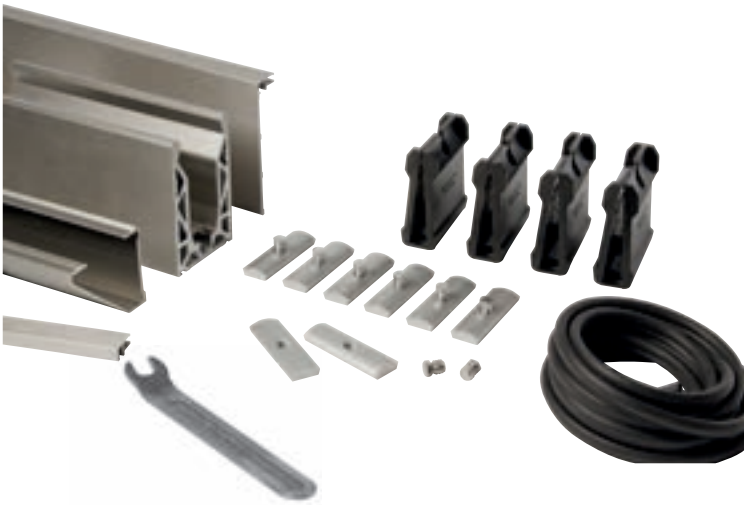
Cat. No. EPGDBL
Black Anodised finish

6 m length

Cat. No. EPGDSV6
Brushed Stainless Steel
Anodised finish



CRL Posiglaze Fascia Mount Base Shoe



For a standard 3 m fascia mount installation, the following components will be required:

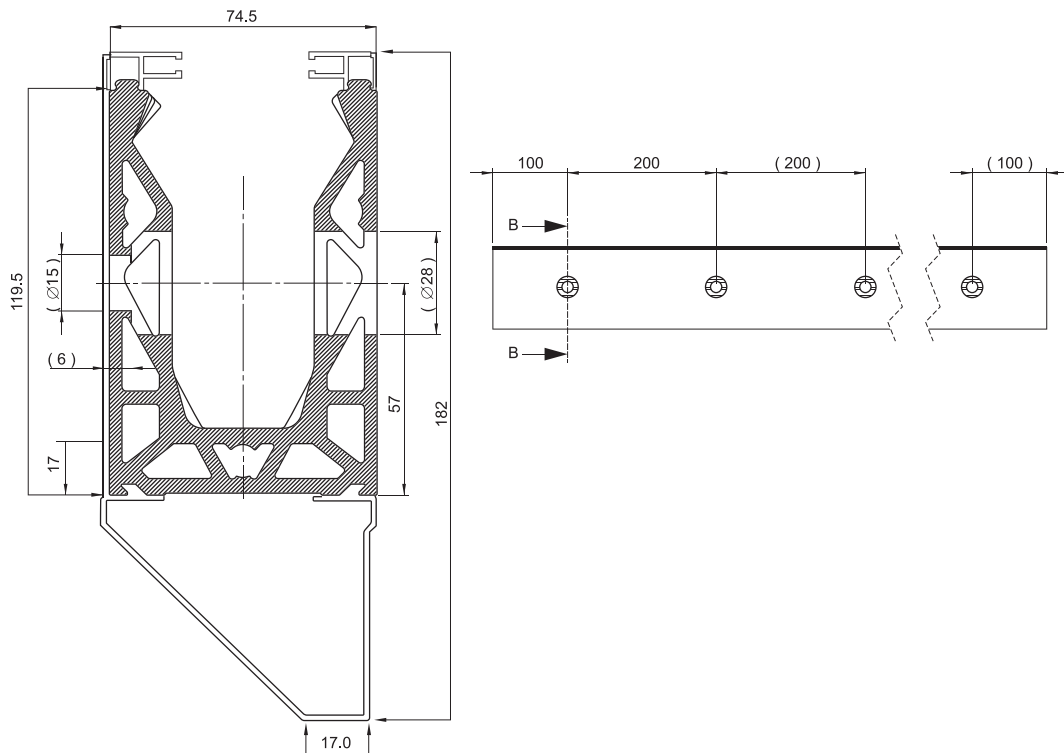
- 1 x 3 m Fascia Mount Base Shoe
- 1 x 3 m Top Clip
- 1 x 3 m Side Cladding
- 1 x Clamp kit to suit specified glass thickness
- 1 x Spanner



Fascia Mount Base Shoe

Cat. No. EPGFA

- For use with 12 to 21.52 mm glass
- Pre-drilled first hole from edge of base shoe: 100 mm
- Pre-drilled centre-to-centre hole distance: 200 mm
- Drilled through both walls, one side to allow socket through
- Hole suited to 12 mm fixing bolt and counter bored to sink the bolt head
- 3 m length
- Natural Anodised finish





90° Corner

- Pre-fabricated 90° corner
- Supplied with 4 dowels for easier fitting
- Does not include extra top clip or side cladding

Cat. No. EPG90BL

Black Anodised finish

Cat. No. EPG90SV

Silver

Cat. No. EPG90S1

Internal corner

Cat. No. EPG90SE

External corner



Top Clip

- Holds the gasket
- Pressed onto the channel at the end of the installation
- Covers the clamps from and prevents debris from entering the channel
- 3 m length

Cat. No. EPGTSBL

Black Plastic

Cat. No. EPGTSSV

Silver



Bottom Cladding

- For use with fascia mount base shoe if required
- Gives an angled finish to the bottom of the channel
- Clips into the grooves under the channel
- Requires adhesive for securing in place
- 3 m length
- Brushed Stainless Steel Anodised finish

Cat. No.

EPGBCLADSV



Side Cladding

- For use with fascia mount base shoe to cover the drill holes from view
- Holds the gasket in place and covers the clamps from view
- Requires adhesive to hold flat surface against channel
- 3 m length
- Brushed Stainless Steel Anodised finish

Cat. No.

EPGFCLADSV



Clamp Kits (inc. clamps, gasket, bars, bolts)

- Includes enough components to suit a 3 m length of base shoe
- Glass clamps have a ± 1 mm tolerance to accommodate varying interlayer thicknesses in the glass
- Includes the clamp bars which sit into the top mould of the clamps and the clamp bolts which screw into the bars and are then undone to hold the glass in place. These are undone and tightened each side allowing the glass alignment
- Includes 6 m gasket to suit glass thickness

Cat. No. EPG12SET

For 12 mm glass

Cat. No. EPG13SET

For 13.52 mm glass

Cat. No. EPG15SET

For 15 mm glass

Cat. No. EPG17SET

For 17.52 mm glass

Cat. No. EPG19SET

For 19 mm glass

Cat. No. EPG21SET

For 21.52 mm glass



End Caps

- Cut to suit each option
- Adhesive required to hold them in place

Cat. No. EPGDECBN

End Cap for Surface Mount Base Shoe, Brushed Stainless Steel Anodised finish

Cat. No. EPGDECBL

End Cap for Surface Mount Base Shoe, Black Anodised finish

Cat. No. EPGFECBN

End Cap One Side-Clad, Brushed Stainless Steel Anodised finish

Cat. No. EPGFEC2BN

End Cap Two Side-Clad, Brushed Stainless Steel Anodised finish

Cat. No. EPGBCECRBN

End Cap Shaped Right, Brushed Stainless Steel Anodised finish

Cat. No. EPGBCECLBN

End Cap Shaped Left, Brushed Stainless Steel Anodised finish

CRL Posiglaze Components



Dowel

- Used to allow for better aligning when joining base shoe sections together
- 3 slots in the base shoe to hold dowels although 2 would be enough

Cat. No. EPGPIN



Spanner

- With angle to reach the clamp to tighten/loosen the glass
- Material: Steel

Cat. No. EPGSPAN



Bolts for Posiglaze Base Shoe

- For use with steel or concrete

Cat. No. EAM8

For use with concrete

Cat. No. HHM12X40

For use with steel

For use with concrete

For use with steel



Drain Block

- Fitted between the substrate and the base shoe behind each hole to allow water to escape
- Material: Anodised Aluminium

Cat. No. EPGDDB

For Surface Mount
Base Shoe

Cat. No. EPGFDB

For Fascia Mount
Base Shoe



Black Touch Up Paint

- For use with Posiglaze base shoe products
- Black Anodised finish

Cat. No.

EPGPAINBL



Drain Block Kit

- Discrete Balustrade Drainage Blocks are simply installed under the channel and stop water getting in the building below
- Quick
- Low Cost
- Patented
- Discrete

Cat. No. EPGBSKIT



Surface mount Base Shoe Sample

- Posiglaze sample

Cat. No.

EPGDBLSAMPLE
Black

Cat. No.
EPGDSVSAMPLE

Silver



TAPER-LOC[®]

Ideal for commercial and residential installations due to a unique time saving installation process.

Unlike other systems, we consistently apply the same fixing tension on to the glass with TAPER-LOC[®] every single time.

Designed with the installer in mind, we invest in continued development to ensure TAPER-LOC[®] remains the frameless glass balustrade system of choice.

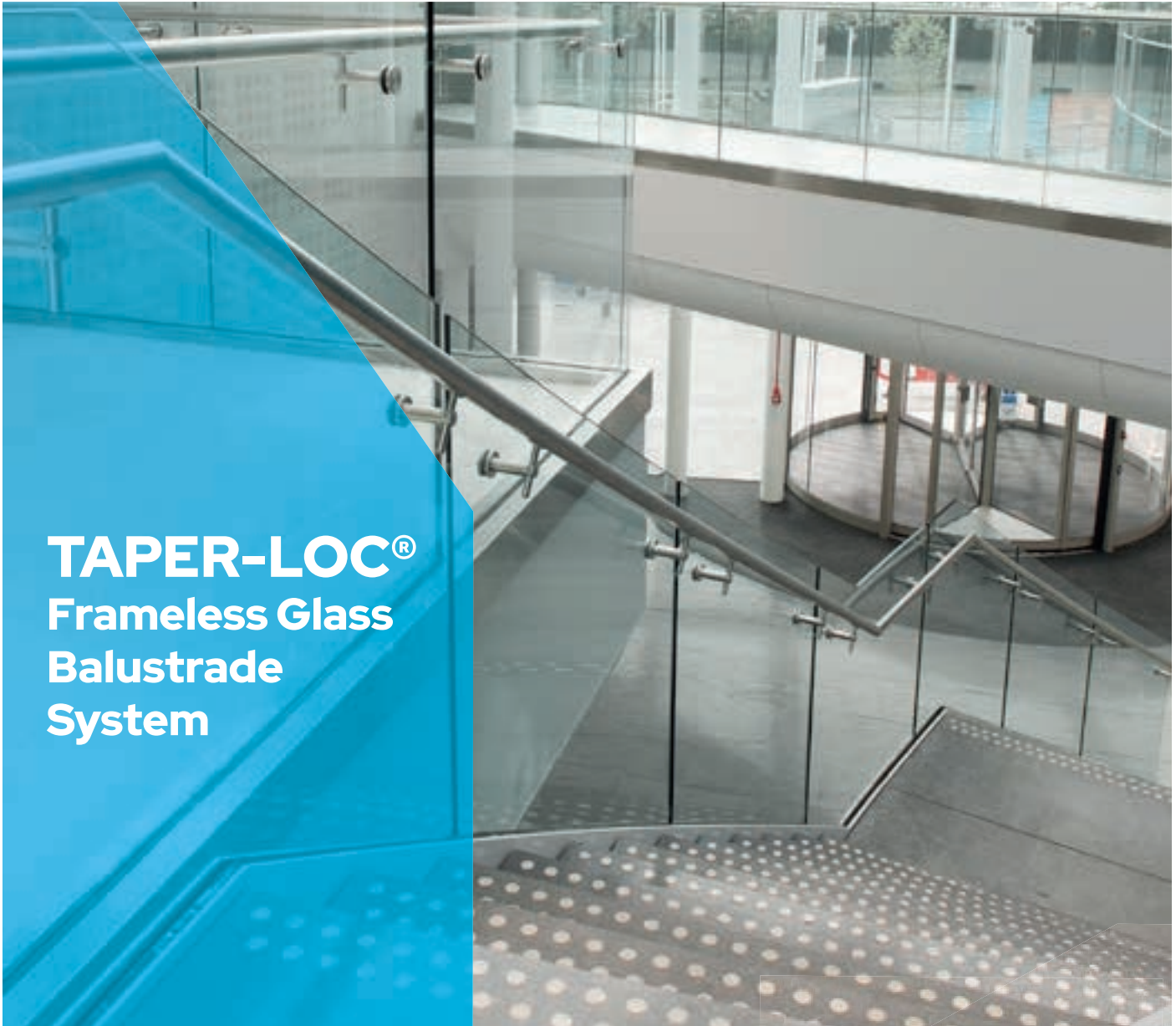


MINIMALISTIC DESIGN
WITH CLEAN LINES

COMPLETE INSTALLATION
FROM THE SAFE SIDE -
NO SCAFFOLDING REQUIRED

FAST AND EASY
TO INSTALL

TESTED TO
BS 6180:2011



TAPER-LOC® Frameless Glass Balustrade System

Quickly install glass balustrades with ease...

- TAPER-LOC® dry glazed installation is quick and clean for the installer and for the finished product
- TAPER-LOC® enables a secure barrier while maintaining clean and elegant lines
- Designed and tested for monolithic and laminated toughened glass
- Designed by CRL for commercial and residential applications
- TAPER-LOC® enables the strongest and safest barriers, giving the installer and end user peace of mind
- TAPER-LOC® installation/removal tool (TLK12) allows broken/scratched glass to be easily removed

For a demonstration visit taper-loc.co.uk

TAPER-LOC[®]
DRY GLAZE RAILING SYSTEM



CONFORMS TO
BS 6180:2011

U.S. Patent Numbers 8,122,654 & 8,201,366 and Commonwealth of Australia Patent Numbers 200820752 and 2012202256

SIMPLE. FAST. SAFE.

Easy Installation

The process of installing glass balustrades is now easier with CRL's 2018 TAPER-LOC® system. TAPER-LOC® has a unique design that lets you apply precision tension to lock it in place, securing the glass in the aluminium base shoe without the use of messy cement. Your installation time is significantly reduced while still exceeding code standards.

Onsite demonstrations available - Contact Technical Sales on 00 800 0421 6144 to arrange an appointment



Taper-Loc base shoe allows balustrades to be installed flush with the slab edge

STEP 1

Install the outside safety gasket and position the L shaped setting blocks.

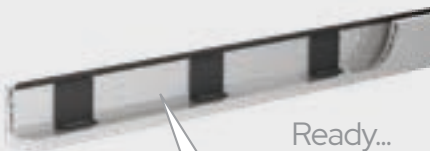
STEP 2

Insert the Taper set half way down into the base shoe as shown, opposite the L-setting block, and then squeeze the tapers together finger tight.

STEP 3

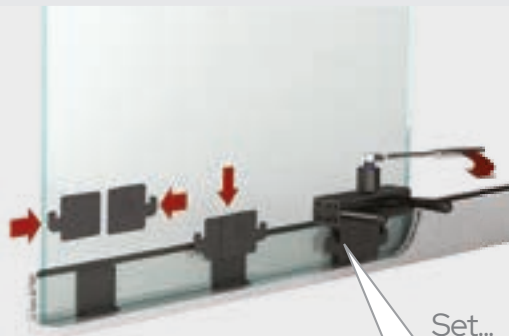
Place Installation/Removal Tool (TLK12) into position onto the Tapers and push them down into the base shoe. Crank the torque wrench until it clicks and breaks for a few degrees, letting you know the Tapers are locked to the correct measured torque.

**COMPLETE INSTALLATION
FROM THE SAFE SIDE -
NO SCAFFOLDING REQUIRED**



TAPER-LOC® Tapers
insert into the Base Shoe

Ready...



The TAPER-LOC® Installation Tool (TLK12) compresses the Tapers together with a predetermined torque setting. The glass is locked in to place every single time.

Set...



Done.

CRL Testing and development Conforming to Building Standards Across Europe

At CRL, we are committed to the testing and development of all of our products.

All CRL TAPER-LOC® Systems are independently tested to meet British, German and US Standards. We have solutions up to and including 3kN load tests.

Watch the video of our test in action at: www.taper-loc.co.uk/testrig

Our project testing facilities available upon request. Certificates available at www.taper-loc.co.uk

Contact Technical Sales on freephone 00 800 0421 6144



CRL Balustrade Test Rig

Concrete Substrate

Surface Mounted Base Shoe

GLASS THICKNESS	BASE SHOE CAT. NO.	PREDRILLED 1ST HOLE DISTANCE FROM EDGE OF BASE SHOE (MM)	PREDRILLED CENTRE-TO-CENTRE HOLE DISTANCE (MM)	SPACING OF TAPER LOCS
12 mm toughened monolithic	8B10DBN	150	300 mm	300 mm
15 mm toughened monolithic	8B58DBN	150	300 mm	300 mm
19 mm toughened monolithic	8B34DBN	150	300 mm	300 mm
13.52 mm toughened laminated PVB Interlayer	9BL56DBN	150	300 mm	300 mm
17.52 mm toughened laminated PVB Interlayer	9BL68DBN	150	300 mm	300 mm
21.52 mm toughened laminated PVB Interlayer	9BL21DBN	150	300 mm	300 mm
25.52mm toughened laminated PVB interlayer	9BL25DBN	150	300 mm	300 mm

Fascia Mounted Base Shoe

GLASS THICKNESS	BASE SHOE CAT. NO.	PREDRILLED 1ST HOLE DISTANCE FROM EDGE OF BASE SHOE (MM)	PREDRILLED CENTRE-TO-CENTRE HOLE DISTANCE (MM)	SPACING OF TAPER LOCS
12 mm toughened monolithic	8B10F	150	300 mm	300 mm
15 mm toughened monolithic	8B58F	150	300 mm	300 mm
19 mm toughened monolithic	8B34F	150	300 mm	300 mm
13.52 mm toughened laminated PVB Interlayer	9BL56F	150	300 mm	300 mm
17.52 mm toughened laminated PVB Interlayer	9BL68F	150	300 mm	300 mm
21.52 mm toughened laminated SGP Interlayer	9BL21F	150	300 mm	300 mm
25.52 mm toughened laminated SGP Interlayer	9BL25F	150	300 mm	300 mm

Steel Substrate

Surface Mounted Base Shoe

GLASS THICKNESS	BASE SHOE CAT. NO.	PREDRILLED 1ST HOLE DISTANCE FROM EDGE OF BASE SHOE (MM)	PREDRILLED CENTRE-TO-CENTRE HOLE DISTANCE (MM)	SPACING OF TAPER LOCS
12 mm toughened monolithic	8B10DBN	150	300 mm	300 mm
15 mm toughened monolithic	8B58DBN	150	300 mm	300 mm
19 mm toughened monolithic	8B34DBN	150	300 mm	300 mm
13.52 mm toughened laminated PVB Interlayer	9BL56DBN	150	300 mm	300 mm
17.52 mm toughened laminated PVB Interlayer	9BL68DBN	150	300 mm	300 mm
21.52 mm toughened laminated PVB Interlayer	9BL21DBN	150	300 mm	300 mm
25.52mm toughened laminated PVB interlayer	9BL25DBN	150	300 mm	300 mm

Fascia Mounted Base Shoe

GLASS THICKNESS	BASE SHOE CAT. NO.	PREDRILLED 1ST HOLE DISTANCE FROM EDGE OF BASE SHOE (MM)	PREDRILLED CENTRE-TO-CENTRE HOLE DISTANCE (MM)	SPACING OF TAPER LOCS
12 mm toughened monolithic	8B10F	150	300 mm	300 mm
15 mm toughened monolithic	8B58F	150	300 mm	300 mm
19 mm toughened monolithic	8B34F	150	300 mm	300 mm
13.52 mm toughened laminated PVB Interlayer	9BL56F	150	300 mm	300 mm
17.52 mm toughened laminated PVB Interlayer	9BL68F	150	300 mm	300 mm
21.52 mm toughened laminated SGP Interlayer	9BL21F	150	300 mm	300 mm
25.52 mm toughened laminated SGP Interlayer	9BL25F	150	300 mm	300 mm

* CRL always recommend consulting local building authority/structural engineer for guidance

** Please consult BS 6180:2011 for installation design guidance

RECOMMENDED FIXING	HORIZONTAL UNIFORMLY DISTRIBUTED LINE LOAD ACHIEVED (KN/M)	BRIEF TYPE OF OCCUPANCY FOR PART OF THE BUILDING OR STRUCTURE
M8 x 98 mm concrete anchor	0.36	Domestic & residential internal applications
M8 x 98 mm concrete anchor	0.74	Domestic & residential external applications including Juliette balconies
M8 x 98 mm concrete anchor	1.5	Areas where people may congregate, restaurants & bars
M12 x 150 mm concrete anchor	N/A	USED FOR WINDSCREENS ONLY NOT FOR BARRIERS
M12 x 150 mm concrete anchor	0.36	Domestic & residential internal applications
M12 x 150 mm concrete anchor	0.74	Domestic & residential external applications including Juliette balconies
M12 x 150 mm concrete anchor	1.5	Areas where people may congregate, restaurants & bars

RECOMMENDED FIXING	HORIZONTAL UNIFORMLY DISTRIBUTED LINE LOAD ACHIEVED (KN/M)	BRIEF TYPE OF OCCUPANCY FOR PART OF THE BUILDING OR STRUCTURE
M8 x 98 mm concrete anchor	0.36	Domestic & residential external applications including Juliette balconies
M8 x 98 mm concrete anchor	0.74	Domestic & residential external applications including Juliette balconies
M8 x 98 mm concrete anchor	0.74	Areas where people may congregate, restaurants & bars
M12 x 150 mm concrete anchor	N/A	USED FOR WINDSCREENS ONLY NOT FOR BARRIERS
M12 x 150 mm concrete anchor	0.36	Domestic & residential internal applications
M12 x 150 mm concrete anchor	0.74	Domestic & residential external applications including Juliette balconies
M12 x 150 mm concrete anchor	1.5	Areas where people may congregate, restaurants & bars

RECOMMENDED FIXING	HORIZONTAL UNIFORMLY DISTRIBUTED LINE LOAD ACHIEVED (KN/M)	BRIEF TYPE OF OCCUPANCY FOR PART OF THE BUILDING OR STRUCTURE
Machine bolt S/S M12 X 20 mm	0.36	Domestic & residential internal applications
Machine bolt S/S M12 X 20 mm	0.74	Domestic & residential external applications including Juliette balconies
Machine bolt S/S M12 X 20 mm	1.5	Areas where people may congregate, restaurants & bars
Machine bolt S/S M14 X 20 mm	N/A	USED FOR WINDSCREENS ONLY NOT FOR BARRIERS
Machine bolt S/S M14 X 20 mm	0.36	Domestic & residential internal applications
Machine bolt S/S M14 X 20 mm	0.74	Domestic & residential external applications including Juliette balconies
Machine bolt S/S M14 X 20 mm	1.5	Areas where people may congregate, restaurants & bars

RECOMMENDED FIXING	HORIZONTAL UNIFORMLY DISTRIBUTED LINE LOAD ACHIEVED (KN/M)	BRIEF TYPE OF OCCUPANCY FOR PART OF THE BUILDING OR STRUCTURE
Machine bolt S/S M8 X 20 mm	0.36	Domestic & residential internal applications
Machine bolt S/S M8 X 20 mm	0.74	Domestic & residential external applications including Juliette balconies
Machine bolt S/S M8 X 20 mm	0.74	Areas where people may congregate, restaurants & bars
Machine bolt S/S M14 X 20 mm	N/A	USED FOR WINDSCREENS ONLY NOT FOR BARRIERS
Machine bolt S/S M14 X 20 mm	0.36	Domestic & residential internal applications
Machine bolt S/S M14 X 20 mm	0.74	Domestic & residential external applications including Juliette balconies
Machine bolt S/S M14 X 20 mm	1.5	Areas where people may congregate, restaurants & bars

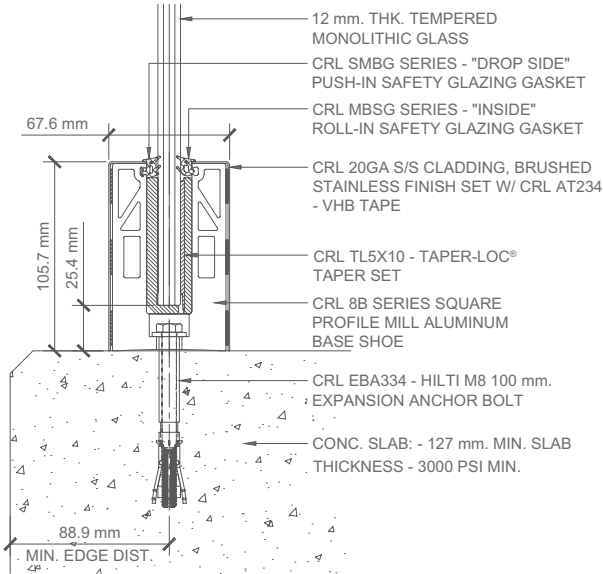
NOTE: BS6180:2011 stipulates that when toughened monolithic glass is used, a cap rail is always required.



Typical Installations

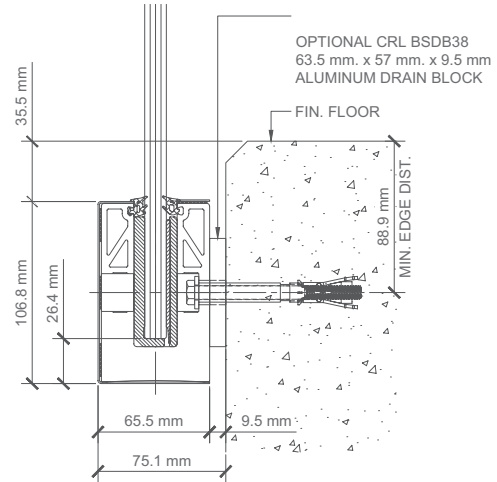
Surface Mount Detail - Concrete Substrate

Anchor spacing will depend on mounting substrate and region of project



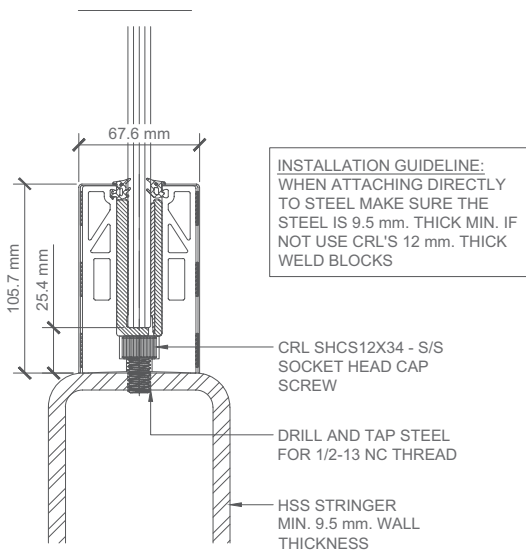
Fascia Mount Detail - Concrete Substrate

Anchor spacing will depend on mounting substrate and region of project



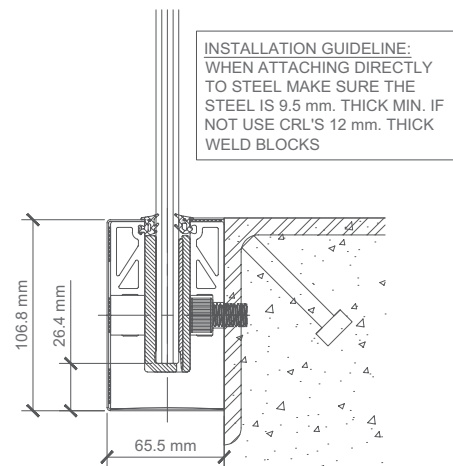
Surface Mount Detail - Steel Substrate

300 mm on centre anchor spacing



Fascia Mount Detail - Steel Substrate

300 mm on centre anchor spacing



CRL Taper-Loc® Installation / Removal Tool Kit

Cat. No. TLK12

The Installation/Removal Tool is used for tightening TAPER-LOC® Tapers in the channel of the base shoe. The tool has an integrated torque wrench that applies the precise lock-up force necessary to set the glass panels. Simply set in place and turn the wrench until a clicking sound is heard. This assures the Tapers have been locked together. It can also remove tapers when glass panels need to be reset or replaced.

KIT INCLUDES:

- 1 x Integrated Torque Wrench TLK12
- 1 x Glass Balustrade Setting Tools for Monolithic and Laminated Glass
- 1 x Pair of Glass Setting Roller Blocks
- 1 x Standard and Recessed Blades
- 1 x Instructions
- 1 x Moulded Carrying Case



CRL PAL Plumb / Angle / Level Indicator

Cat. No. PAL1K

The PAL Plumb / Angle / Level Locator Kit is designed to assist you with level and plumb installations of base shoe for balustrade and windscreen installations. This innovative tool levels the base shoe in both the vertical and horizontal orientations. Perfect for use with all TAPER-LOC® installations.

KIT INCLUDES:

- 1 x Laser Tool with Case
- 1 x Base Shoe Alignment Adapter
- 1 x Laser Target
- 1 x Chalk Line
- 1 x 237 ml Bottle of Blue Chalk Refill
- 1 x Black Listo Marking Pencil
- 1 x Blue Sharpie Pen
- 1 x Instructions
- 1 x Moulded Carry Case



CRL TAPER-LOC® 8B10 Series Standard Square Base Shoe

Designed for fixing 12 mm glass

- For residential including stairs and landings but excluding external balconies and edges of roofs
- For use with 12 mm monolithic toughened glass
- Safety-seal compatible
- Available in 3 finishes

Measurements:

Stock length: 3 m
 Hole Size: 14.3mm
 Counter Bore: 22 mm
 Depth: 12.7 mm
 Centre-to-Centre: 300 mm
 Pre-drilled

Surface Mounted Base Shoe

Cat. No. 8B10D
 Mill Finish

Cat. No. 8B10DBN
 Brushed Nickel

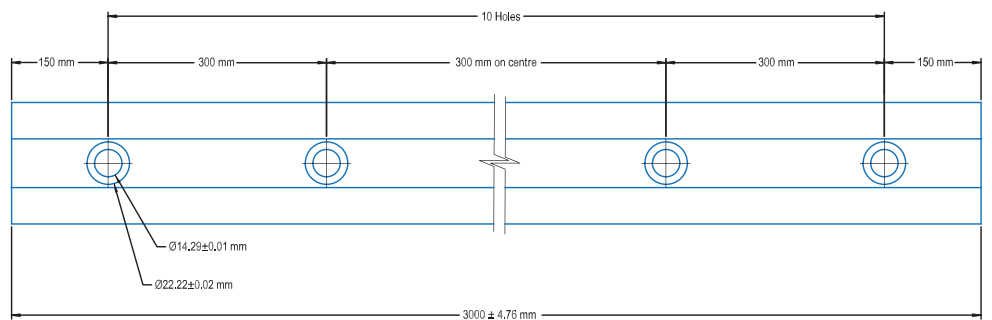
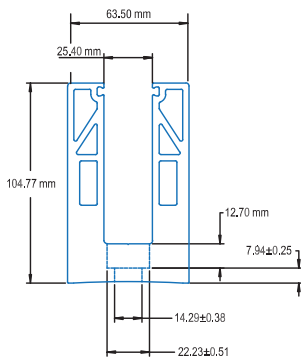
Cat. No. 8B10DSA
 Satin Anodised

Fascia Mounted Base Shoe

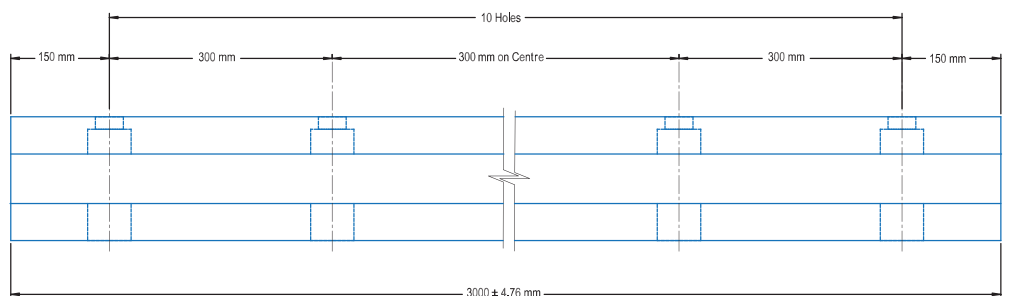
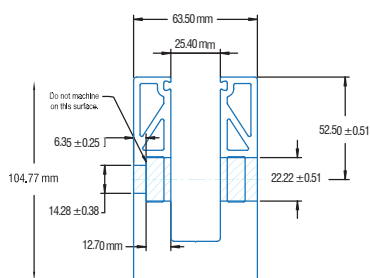
Cat. No. 8B10F
 Mill Finish



Base Drilled



Fascia Drilled



CRL TAPER-LOC® 8B58 Series Standard Square Base Shoe

Designed for fixing 15 mm glass

- For residential external balconies, edges of roofs, stairs and landings
- For use with 15 mm monolithic toughened glass
- Safety-seal compatible
- Available in 3 finishes

Measurements:

Stock length: 3 m
 Hole Size: 14.3 mm
 Counter Bore: 22 mm
 Depth: 12.7 mm
 Centre-to-Centre: 300 mm
 Pre-drilled

Surface Mounted Base Shoe

Cat. No. 8B58D

Mill Finish

Cat. No. 8B58DBN

Brushed Nickel

Cat. No. 8B58DSA

Satin Anodised

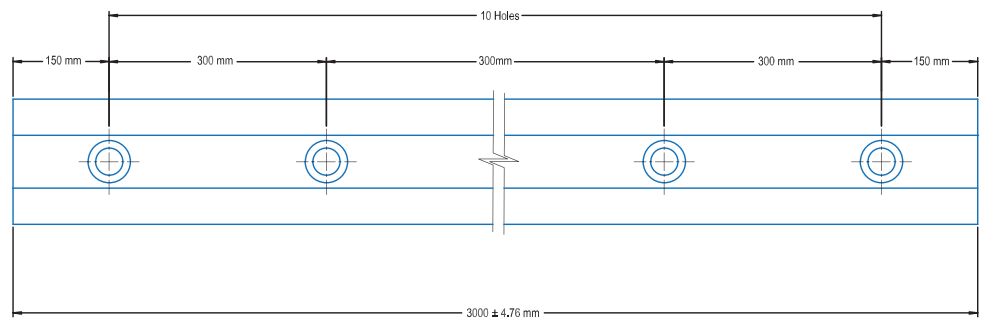
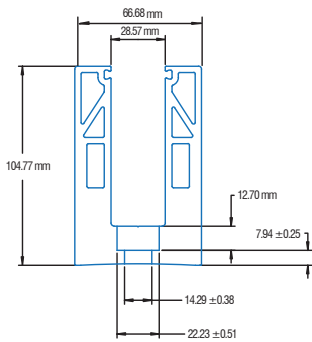
Fascia Mounted Base Shoe

Cat. No. 8B58F

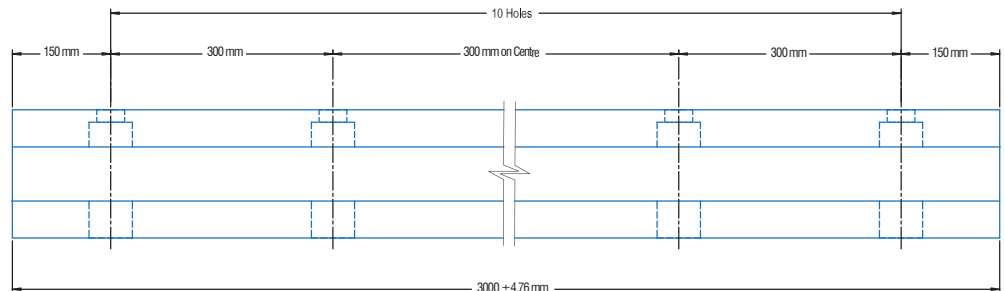
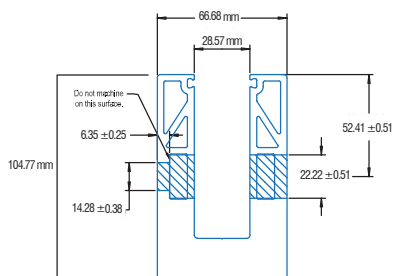
Mill Finish



Base Drilled



Fascia Drilled



For matching tapers, bolts and gaskets, see page 26

CRL TAPER-LOC® 8B34 Series Heavy-Duty Square Base Shoe

Designed for fixing 19 mm glass

- For commercial areas susceptible to overcrowding
- For use with 19 mm monolithic toughened glass
- Safety-seal compatible
- Available in 3 finishes

Measurements:

Stock length: 3 m
 Hole Size: 14.3 mm
 Counter Bore: 22 mm
 Depth: 12.7 mm
 Centre-to-Centre: 300 mm
 Pre-drilled

Surface Mounted Base Shoe

Cat. No. 8B34D
 Mill Finish

Cat. No. 8B34DBN
 Brushed Nickel

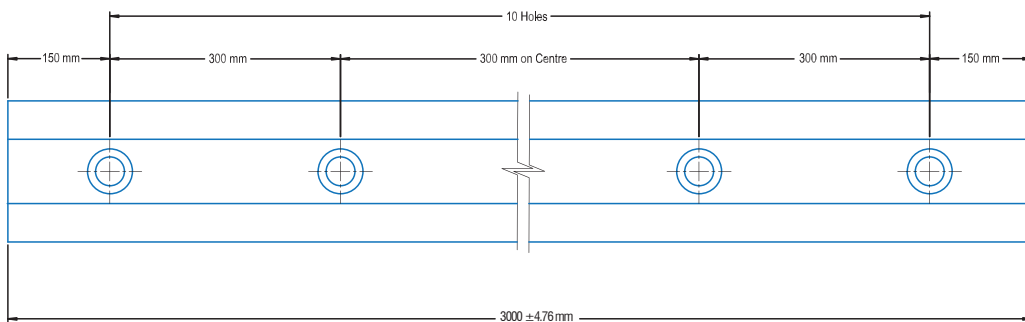
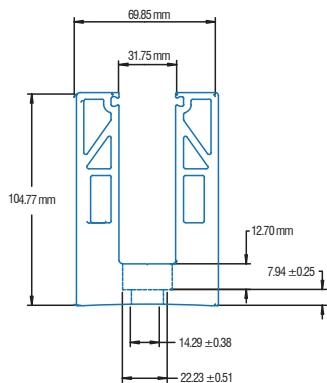
Cat. No. 8B34DSA
 Satin Anodised

Fascia Mounted Base Shoe

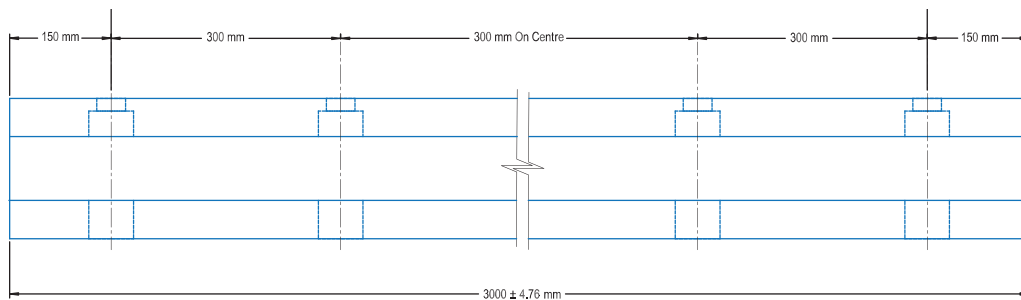
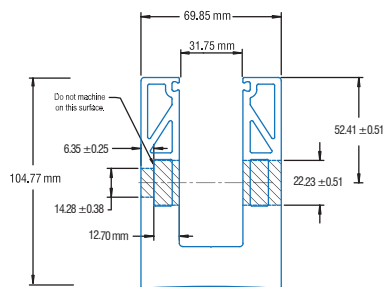
Cat. No. 8B34F
 Mill Finish



Base Drilled



Fascia Drilled



For matching tapers, bolts and gaskets, see page 26

CRL TAPER-LOC® Tapers, Bolts and Gaskets for 8B Series Base Shoes



CRL TAPER-LOC® Taper Set for Monolithic Toughened Glass

- Includes two Tapers and one L-setting block
- For use with CRL's monolithic toughened glass high strength base shoe only
- For use with 10 mm, 12 mm, 15 mm and 19 mm glass

NOTE: Minimum order: 10 sets

Cat. No. TL5X10

For use with 12 mm, 15 mm and 19 mm glass

Cat. No. TL3X10

For use with 10 mm glass for windscreens



For use with concrete



For use with steel

CRL TAPER-LOC® Bolts for 8B Series Monolithic Glass Base Shoes

Cat. No. EBA334

For use with concrete

Cat. No. SHM12x20

For use with steel

CRL TAPER-LOC® Top Rubber Gasket for Monolithic Toughened Glass

- Can be used on both sides once glass is installed

Cat. No. BSG100

30.5 m roll length

Cat. No. BSG500

152.4 m roll length



CRL Taper-Loc® Safety Seal for Monolithic Glass

- Can be used to fix the drop side seal in to the base shoe prior to inserting the glass
- Allows installer to always work from the safe side and avoid the need for expensive scaffolding

Cat. No. SMBSG1

"Drop-Side" safety seal
30.5 m roll length

Cat. No. MBSG1

Inside safety seal
30.5 m roll length



SMBSG1

MBSG1

CRL TAPER-LOC® 90° Corners and Cladding for 8B Series Base Shoes

CRL TAPER-LOC® 90° Corner Connectors for Monolithic Glass Base Shoe



For 12 mm Glass

Cat. No. 8B1090D
Mill Finish

Cat. No. 8B1090DBN
Brushed Nickel

Cat. No. 8B1090DSA
Satin Anodised

For 19 mm Glass

Cat. No. 8B3490D
Mill Finish

Cat. No. 8B3490DBN
Brushed Nickel

Cat. No. 8B3490DSA
Satin Anodised

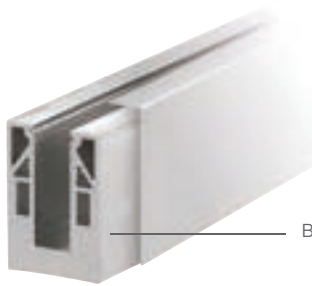
For 15 mm Glass

Cat. No. 8B5890D
Mill Finish

Cat. No. 8B5890DBN
Brushed Nickel

Cat. No. 8B5890DSA
Satin Anodised

CRL TAPER-LOC® Base Fixed Cladding for Monolithic Glass Base Shoe



Base Shoe sold separately

304 Grade

Cat. No. BSCBS10
Brushed Stainless Steel

Cat. No. BSCPS10
Polished Stainless Steel

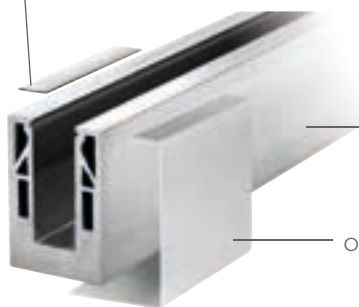
316 Grade

Cat. No. BSCBS106
Brushed Stainless Steel

Cat. No. BSCPS106
Polished Stainless Steel

CRL TAPER-LOC® Fascia Fixed Cladding for Monolithic Glass Base Shoe

Inside Fascia Cladding



Base Shoe sold separately

Outside Fascia Cladding

Outside Fascia Cladding, 304 Grade

For 12 mm Glass

Cat. No. B5C0FBS
Brushed Stainless Steel

Cat. No. B5C0FPS
Polished Stainless Steel

For 15 mm Glass

Cat. No. B6C0FBS
Brushed Stainless Steel

Cat. No. B6C0FPS
Polished Stainless Steel

For 19 mm Glass

Cat. No. B7C0FBS
Brushed Stainless Steel

Cat. No. B7C0FPS
Polished Stainless Steel

Inside Fascia Cladding, 304 Grade

For 12 mm, 15 mm and 19 mm Glass

Cat. No. B5C1FBS
Brushed Stainless Steel

Cat. No. B5C1FPS
Polished Stainless Steel

CRL TAPER-LOC® End Caps for 8B Series Base Shoes

CRL TAPER-LOC® End Caps for Monolithic Glass Base Shoe



End Caps, 304 Grade

For 12 mm Glass

Cat. No. B5SECBS
Brushed Stainless Steel

Cat. No. B5SECPS
Polished Stainless Steel

Cat. No. 8B10ECBN
Brushed Nickel

Cat. No. 8B10ECSA
Satin Anodised

For 15 mm Glass

Cat. No. B6SECBS
Brushed Stainless Steel

Cat. No. B6SECPS
Polished Stainless Steel

Cat. No. 8B58ECBN
Brushed Nickel

Cat. No. 8B58ECSA
Satin Anodised

For 19 mm Glass

Cat. No. B7SECBS
Brushed Stainless Steel

Cat. No. B7SECPS
Polished Stainless Steel

Cat. No. 8B34ECBN
Brushed Nickel

Cat. No. 8B34ECSA
Satin Anodised

CRL TAPER-LOC® End Caps for Monolithic Glass Base Shoe



End Caps, 316 Grade

For 12 mm Glass

Cat. No. B5SECBS6
Brushed Stainless Steel

Cat. No. B5SECPS6
Polished Stainless Steel

For 15 mm Glass

Cat. No. B6SECBS6
Brushed Stainless Steel

Cat. No. B6SECPS6
Polished Stainless Steel

For 19 mm Glass

Cat. No. B7SECBS6
Brushed Stainless Steel

Cat. No. B7SECPS6
Polished Stainless Steel

Cat. No. B7SECBS6
Brushed Stainless Steel

Cat. No. B7SECPS6
Polished Stainless Steel



CRL TAPER-LOC® 9BL56 Series Base Shoe for Windscreen

Designed for fixing 13.52 mm glass

- For windscreens only
- For use with 13.52 mm laminated toughened glass

Measurements:

Stock length: 3 mm
 Hole Size: 14.29 mm
 Counter Bore: 22.23 mm
 Depth: 12.7 mm
 Centre-to-Centre: 300 mm
 Pre-drilled

**Surface Mounted
Base Shoe**

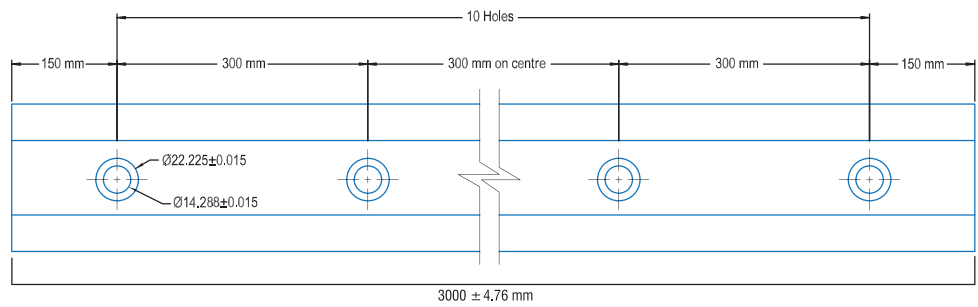
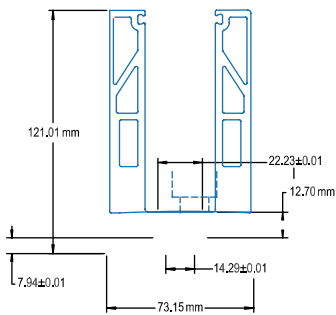
Cat. No. 9BL56D
Mill Finish

**Fascia Mounted
Base Shoe**

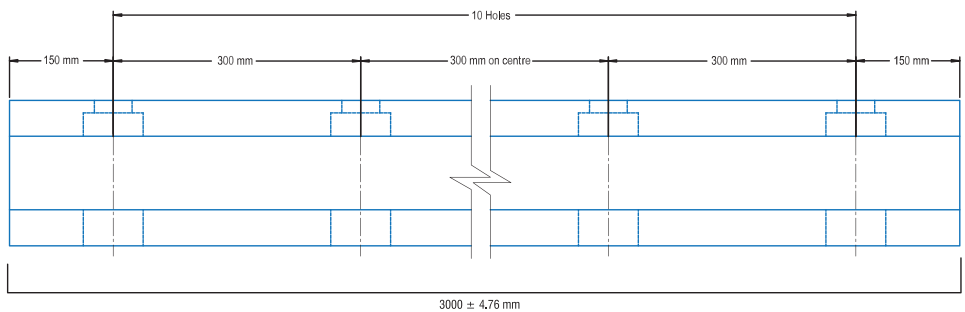
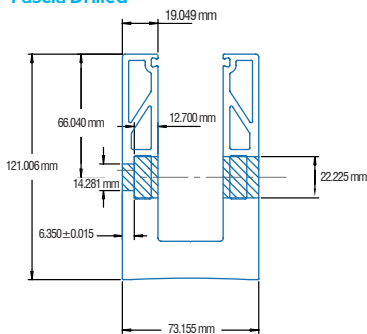
Cat. No. 9BL56F
Mill Finish



Base Drilled



Fascia Drilled



For matching tapers, bolts and gaskets, see page 35

CRL TAPER-LOC® 9BL68 Series Standard Square Base Shoes

Designed for fixing 17.52 mm glass

- For residential including stairs and landings but excluding external balconies and edges of roofs
- For use with 17.52 mm laminated toughened glass
- Safety-seal compatible
- Available in 3 finishes

Measurements:

Stock length: 3 m
 Hole Size: 20 mm
 Counter Bore: 31.7 mm
 Depth: 12.7 mm
 Centre-to-Centre: 300 mm
 Pre-drilled

Surface Mounted Base Shoe

Cat. No. 9BL68D
 Mill Finish

Cat. No. 9BL68DBN
 Brushed Nickel

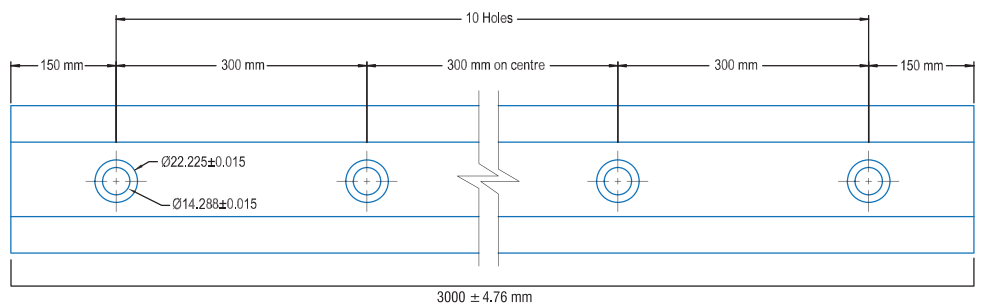
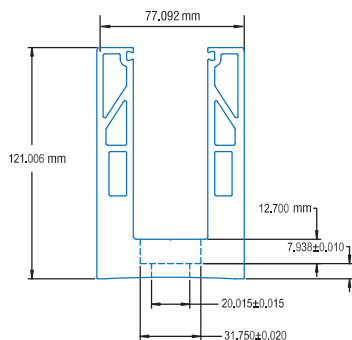
Cat. No. 9BL68DSA
 Satin Anodised

Fascia Mounted Base Shoe

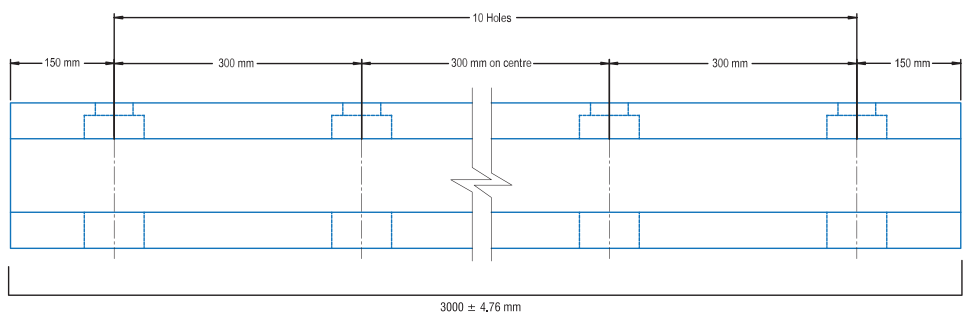
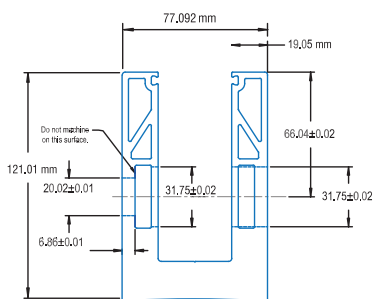
Cat. No. 9BL68F
 Mill Finish



Base Drilled



Fascia Drilled



For matching tapers, bolts and gaskets, see page 35

CRL TAPER-LOC® 9BL21 Series Standard Square Base Shoe

Designed for fixing 21.52 mm glass

- For commercial areas not susceptible to overcrowding
- For use with 21.52 mm laminated toughened glass
- Safety-seal compatible
- Available in 3 finishes

Measurements:

Stock length: 3 m
 Hole Size: 20 mm
 Counter Bore: 31.7 mm
 Depth: 12.7 mm
 Centre-to-Centre: 300 mm
 Pre-drilled

Surface Mounted Base Shoe

Cat. No. 9BL21D
 Mill Finish

Cat. No. 9BL21DBN
 Brushed Nickel

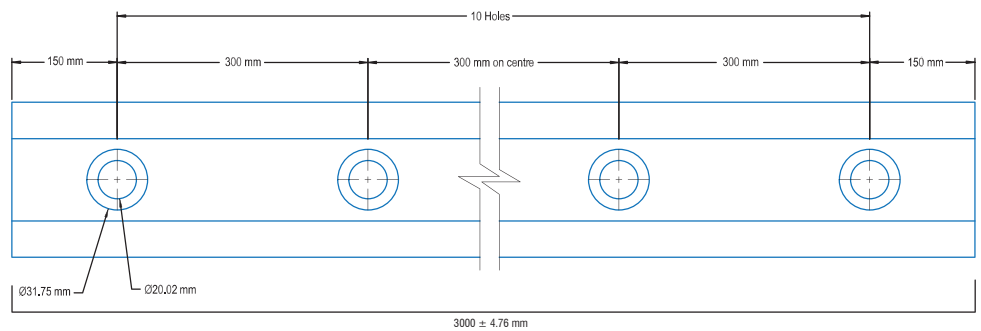
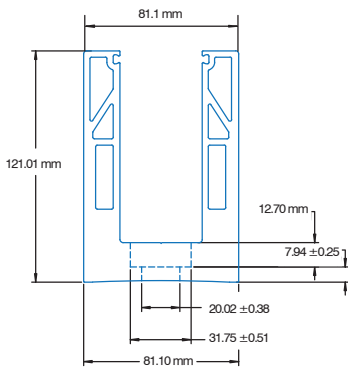
Cat. No. 9BL21DSA
 Satin Anodised

Fascia Mounted Base Shoe

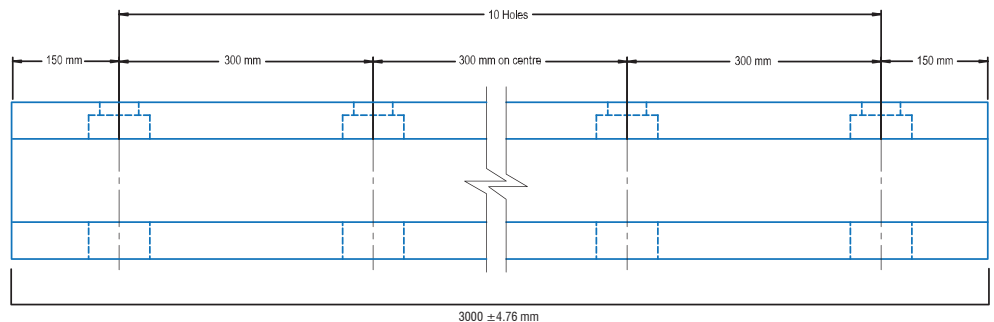
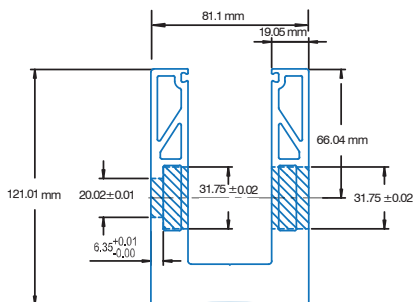
Cat. No. 9BL21F
 Mill Finish



Base Drilled



Fascia Drilled



For matching tapers, bolts and gaskets, see page 35

CRL TAPER-LOC® Flange Fix Base Shoe

Designed for fixing 21.52 mm glass

- Allows quick and easy slab edge installations
- Taper-Loc® can now be installed flush with the slab edge and from the safe side
- Uses existing innovative Taper-Loc® installation system, complete with safety side gasket
- Tested to 0.74KN With 21.52mm toughened laminated glass in accordance with BS6180-2011
- No need for cladding, supplied in a Brushed Nickel anodised finish
- Safety seal gasket for safe side installations supplied on request

**Flanged Aluminium
Base Shoe**
Cat. No. 9BL21FLBN
Brushed Nickel
Anodised



CRL TAPER-LOC® 9BL25 Series Standard Square Base Shoe

Designed for fixing 25.52 mm glass

- For commercial areas susceptible to overcrowding
- For use with 25.52 mm laminated toughened glass
- Safety-seal compatible
- Available in 3 finishes

Measurements:

Stock length: 3 m
 Hole Size: 20 mm
 Counter Bore: 31.7 mm
 Depth: 12.7 mm
 Centre-to-Centre: 300 mm
 Pre-drilled



Surface Mounted Base Shoe

Cat. No. 9BL25D
Mill Finish

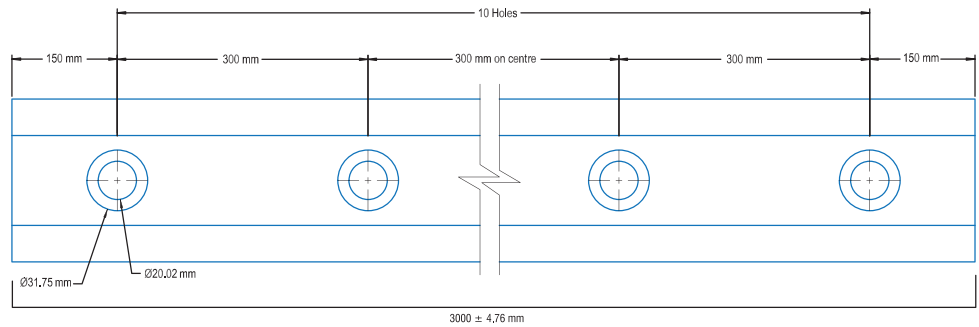
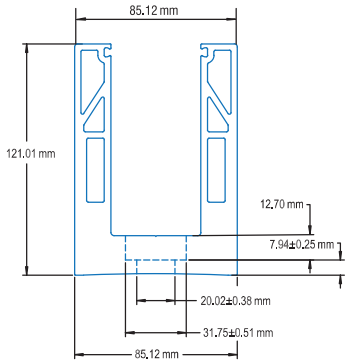
Cat. No. 9BL25DBN
Brushed Nickel

Cat. No. 9BL25DSA
Satin Anodised

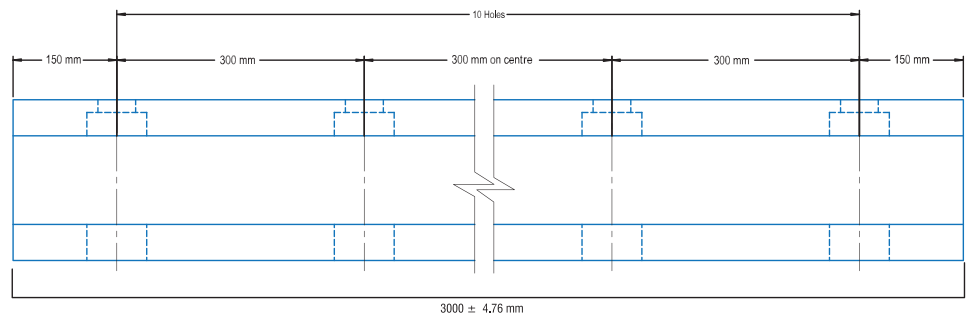
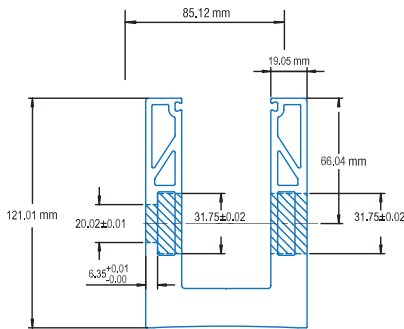
Fascia Mounted Base Shoe

Cat. No. 9BL25F
Mill Finish

Base Drilled



Fascia Drilled



CRL Kwixset® Expanding Cement

- Versatile high strength cement for setting glass panels in to base shoe as an alternative to using TAPER-LOC®
- Kwixset® for exterior and interior applications
- Great for setting core mount stanchions for vertical posts
- Expands as it sets
- Fast setting, they will not shrink or crack when used as directed
- Simply mix with water
- CRL recommends consulting with the glass fabricator prior to wet setting laminated toughened glass

Cat. No. KWX25
11.3 kg

Cat. No. KWX50
22.6 kg

Tested to 3kN using Kwixset Cement using SGP laminated interlay.

CRL TAPER-LOC® Tapers, Bolts and Gaskets for 9BL Series



CRL TAPER-LOC® Taper Set for Laminated Toughened Glass

- Includes four Tapers and one L-setting block
- For use with CRL's laminated toughened glass high strength base shoe only
- For use with 13.52 mm, 17.52 mm, 21.52 mm and 25.52 mm glass

Cat. No. LTL96X
For use with 13.52 mm and 17.52 mm glass

Cat. No. LTL10X
For use with 21.52 mm and 25.52 mm glass



For use with concrete



For use with steel

CRL TAPER-LOC® Bolts for 9BL Series Laminated Glass Base Shoes

Cat. No. EAM12
For use with concrete

Cat. No. HHM1420
For use with steel



CRL TAPER-LOC® Top Rubber Gasket for Laminated Toughened Glass

- Can be used on both sides once glass is installed

Cat. No. LBSG100
30.5 m roll length

Cat. No. LBSG200
61 m roll length



SLBSG1



LBSG100

CRL TAPER-LOC® Safety Seal for Laminated Glass

- Can be used to fix the drop side seal in to the base shoe prior to inserting the glass
- Allows installer to always work from the safe side and avoid the need for expensive scaffolding

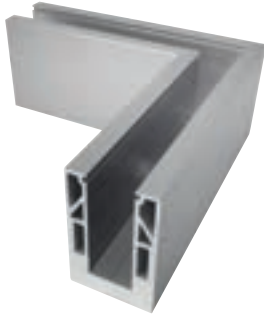
Cat. No. SLBSG1
"Drop-Side" safety seal
30.5 m roll length

Cat. No. LBSG100
Inside safety seal
30.5 m roll length

Cat. No. LBSG200
Inside safety seal
61 m roll length

CRL TAPER-LOC® 90° Corners, Cladding and End Caps for 9BL Series Base Shoes

CRL TAPER-LOC® 90° Corner Connectors for Laminated Glass Base Shoe



For 17.52 mm Glass

Cat. No. 9BL6890D
Mill Finish

Cat. No. 9BL6890DBN
Brushed Nickel

Cat. No. 9BL6890DSA
Satin Anodised

For 25.52 mm Glass

Cat. No. 9BL2590D
Mill Finish

Cat. No. 9BL2590DBN
Brushed Nickel

Cat. No. 9BL2590DSA
Satin Anodised

For 21.52 mm Glass

Cat. No. 9BL2190D
Mill Finish

Cat. No. 9BL2190DBN
Brushed Nickel

Cat. No. 9BL2190DSA
Satin Anodised



CRL TAPER-LOC® Base Fixed Cladding for Laminated Glass Base Shoe

Base Shoe sold separately

For 13.52, 17.52, 21.52 and 25.52 mm Glass, 316 Grade

Cat. No. LBSCBS10
Brushed Stainless Steel

Cat. No. LBSCPS10
Polished Stainless Steel

CRL TAPER-LOC® Fascia Fixed Cladding for Laminated Glass Base Shoe

Inside Fascia Cladding



Base Shoe sold separately

Outside Fascia Cladding

Outside Fascia Cladding

For 13.52 mm Glass

Cat. No. L56COFBS
Brushed Stainless Steel

Cat. No. L56COFPS
Polished Stainless Steel

For 17.52 mm Glass

Cat. No. L68COFBS
Brushed Stainless Steel

Cat. No. L68COFPS
Polished Stainless Steel

For 21.52 mm Glass

Cat. No. L21COFBS
Brushed Stainless Steel

Cat. No. L21COFPS
Polished Stainless Steel

For 25.52 mm Glass

Cat. No. L25COFBS
Brushed Stainless Steel

Cat. No. L25COFPS
Polished Stainless Steel

Inside Fascia Cladding

For 13.52, 17.52, 21.52 and 25.52 mm Glass

Cat. No. L56C1FBS
Brushed Stainless Steel

Cat. No. L56C1FPS
Polished Stainless Steel

CRL TAPER-LOC® End Caps for Laminated Glass Base Shoe



For 13.52 mm Glass

Cat. No. L56SECBS
Brushed Stainless Steel

Cat. No. L56SECPS
Polished Stainless Steel

For 13.52 mm Glass

Cat. No. L68SECBS
Brushed Stainless Steel

Cat. No. L68SECPS
Polished Stainless Steel

Cat. No. 9BL68ECBN
Brushed Nickel

Cat. No. 9BL68ECSA
Satin Anodised

For 21.52 mm Glass

Cat. No. L21SECBS
Brushed Stainless Steel

Cat. No. L21SECPS
Polished Stainless Steel

Cat. No. 9BL21ECBN
Brushed Nickel

Cat. No. 9BL21ECSA
Satin Anodised

For 25.52 mm Glass

Cat. No. L25SECBS
Brushed Stainless Steel

Cat. No. L25SECPS
Polished Stainless Steel

Cat. No. 9BL25ECBN
Brushed Nickel

Cat. No. 9BL25ECSA
Satin Anodised

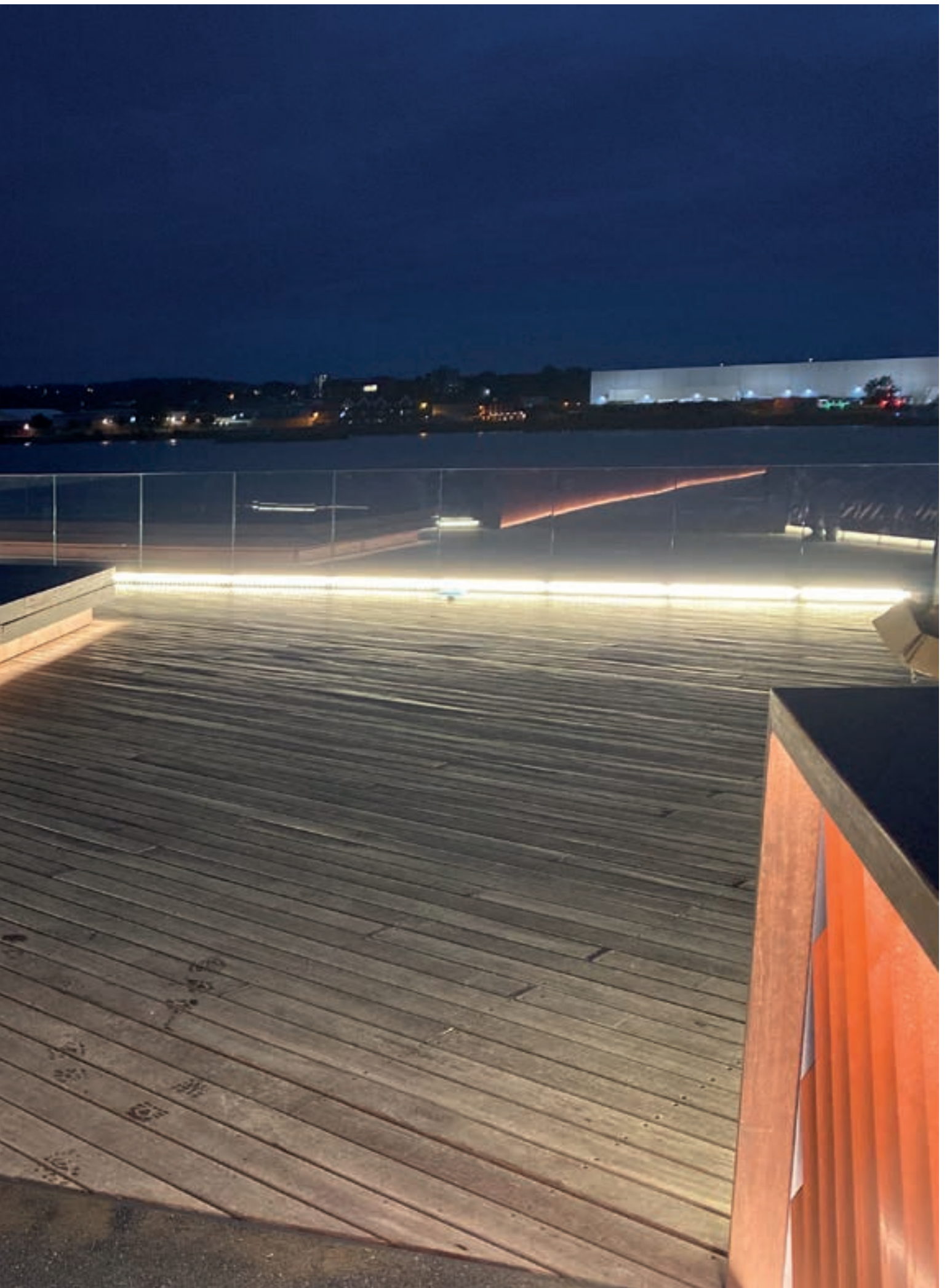




CRL MEGAgrip

MEGAgrip is CRL's answer to a heavy-duty and fully adjustable 3kN commercial balustrade system, designed as a highly-durable public safety barrier for large commercial constructs.

MEGAgrip uses a variation of our popular Posiglaze screw-clamp technology to secure the glass in place. The system uses a 13 mm Hex Bolt and ¼ inch torque wrench and extension arm to tighten the bolts, for a quick and simple installation. Internal glass clamps allow for easy alignment of the glass within the channel, and are compatible with a wide range of glass thicknesses, making MEGAgrip one of the most adaptable balustrade systems on the market today. It can easily be further fortified with a simple conversion kit, to become a bomb-resistant or bullet-proof balustrade system. MEGAgrip is ideal for use as a public space barrier in busy locations such as transport hubs and venues, where there is a risk of overcrowding.





KEY BENEFITS

FAST AND EASY TO INSTALL AND ADJUST

One of the most simple balustrade systems to fit and adjust thanks to its patented screw-clamp technology. Dry glazed where no specialist tools are required. Glass can easily be removed and replaced if required.

FULLY ACCREDITED UP TO 3.00kN

MEGAgrip is accredited and approved by multiple organisations to verify that it meets national and international building regulations for use as edge protection, where up to 3.00kN force loading is required.

LIGHTWEIGHT AND STRONG

Precision engineered using extruded aluminum with a geometrically hollowed out core, providing an incredible strength to weight ratio. For added protection MEGAgrip is anodised to 25 microns.

APPROPRIATE FOR COMMERCIAL AND ANTI-TERROR USES

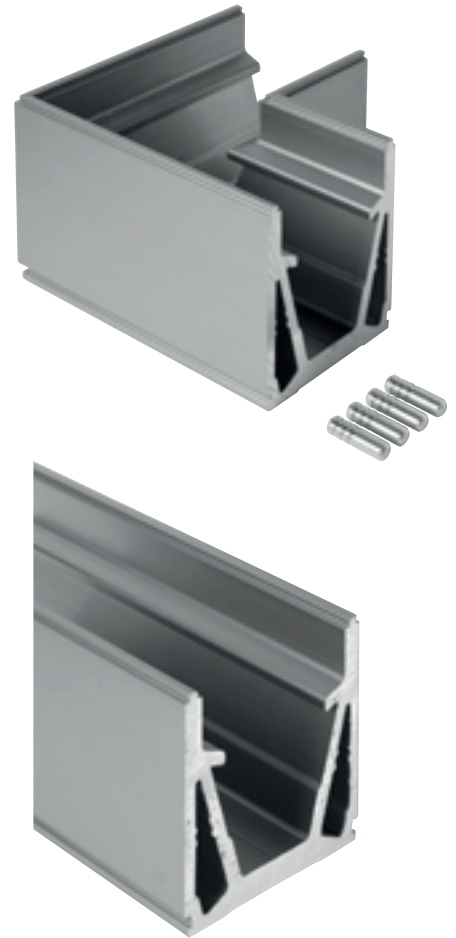
With 3.00kN force loading capability, MEGAgrip is a commercially appropriate product which can be fortified using conversion kits into bomb-resistant or bullet-proof balustrade systems.

CAN BE USED WITH A WIDE RANGE OF GLASS TYPES

MEGAgrip is a highly versatile product which can be used with glass thicknesses ranging from 25 mm - 33 mm, using either toughened glass, toughened PVB laminate glass or SentryGlas.

GLASS IS EASY TO REMOVE AND CHANGE POST USE

MEGAgrip is as easy to assemble as it is to disassemble, making it simple to install replacement glass panels following use as a bomb-resistant or bullet-proof barrier.



CRL MEGAgrip Applications



PUBLIC BUILDINGS

- Offices
- Government Buildings
- Music Venues
- Sports Stadiums
- Shopping Centres



TRANSPORT HUBS

- Airports
- Railway Stations
- Service Stations
- Metro Stations



TALL GLASS SCREENS

- Privacy Screens
- High Rise Balconies
- Penthouses
- Restaurant Terraces
- Roof Terraces

CRL MEGAgrip Accessories

The complete accessory range...

MEGAgrip benefits from a complete accessory range designed to complement your installation.

The MEGAgrip accessory range includes everything you need to complete your installation, such as end caps to create a tidy finish when your balustrade doesn't finish against a fixed point, side cladding, top bead and 90-degree pre-fabricated corners to make installing a corner extremely simple.



Silver brushed pre-fabricated corner

- Save time on installation by using a pre-fabricated corner
- 90 degree corner
- Includes 4 joining dowels and brushed aluminium top bead to fit the corner

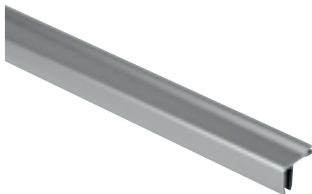
Cat. No. EMG90BN



Silver brushed knock-in end cap

- Seamless tidy finish to any MEGAgrip balustrade installation
- Includes dowels that simply knock into the end of the drilled balustrade channel

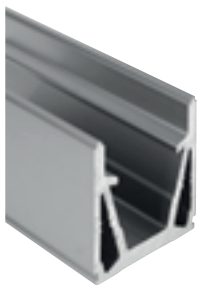
Cat. No. EMGDCEBN



Silver brushed aluminum top bead

- Uses tongue in groove system to fix along the top edges of the balustrade for a tidy finish
- Hides the internal mechanism while helping prevent water and debris getting inside
- Available in 3 meter lengths

Cat. No. EMGTS



Silver brushed side cladding

- Easily fitted with a tongue and groove attachment
- Combines side cladding with top bead for a seamless installation
- Holds co extruded gasket in place
- Gasket not included
- Available in 3 meter lengths

Cat. No. EMGDDBN



Clamp and gasket set

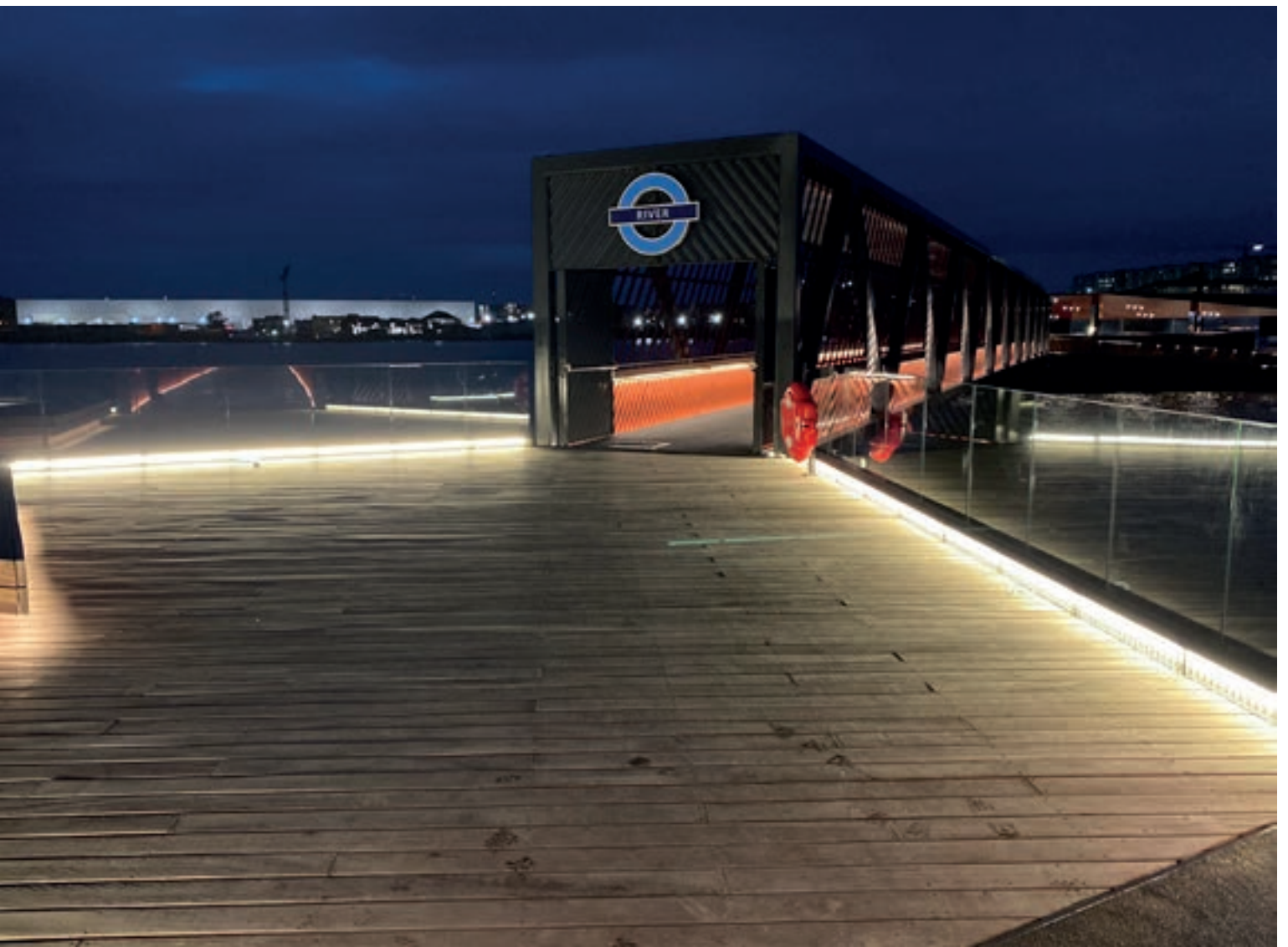
- Includes
- 1 x 3 meter length of silver brushed aluminium base drilled MEGAgrip channel.
 - 2 x 3 meter length of silver brushed aluminium top bead
 - 12 clamps
 - 24 bars
 - 24 MEGAhooks
 - 24 M8 flange nuts
 - 1 x 6 meter roll of co extruded gasket.

Cat. No. EMG255SET
For a glass thickness of 25.52mm

Cat. No. EMG25SET
For a glass thickness of 25mm

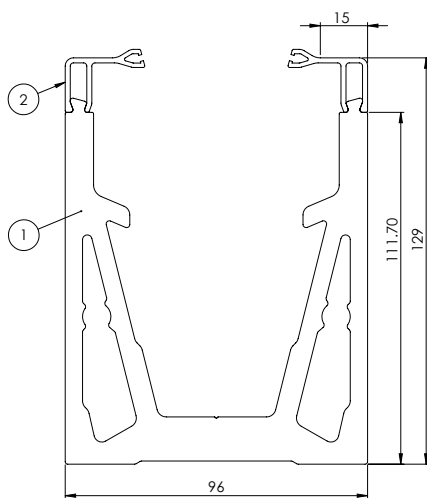
Cat. No. EMG315SET
For a glass thickness of 31.5mm

Cat. No. EMG33SET
For a glass thickness of 33mm

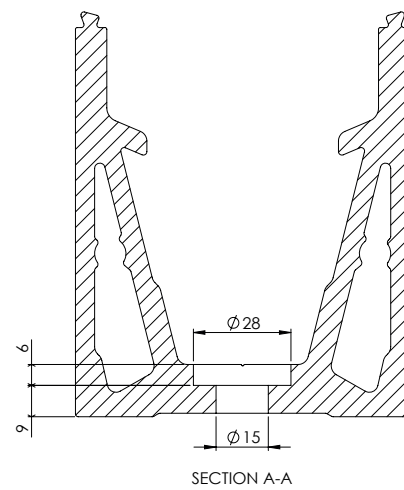


CRL MEGAgrip Technical Drawings

MEGAgrip channel with top bead



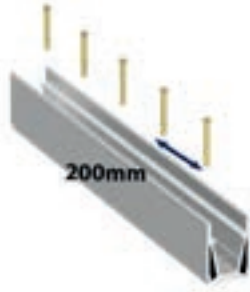
MEGAgrip hole dimensions



CRL MEGAgrip Installation Guide

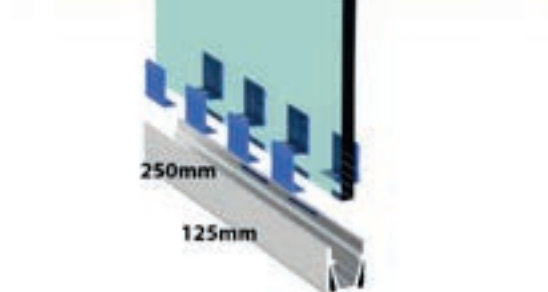
Simple to install and adjust

MEGAgrip is one of the most simple balustrade channel systems to install and adjust with its screw-clamp technology. These step by step instructions guide you through the installation process.



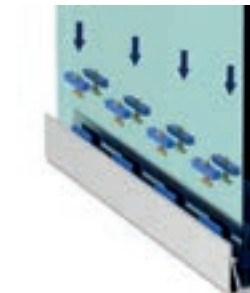
STEP 1 - FIT THE CHANNEL

Drill bolt holes into your substrate starting at 100 mm from the edge and then at 200 mm intervals thereafter. Lay the channel on top aligning it with your drilled holes. Fix the channel using an appropriate bolt.



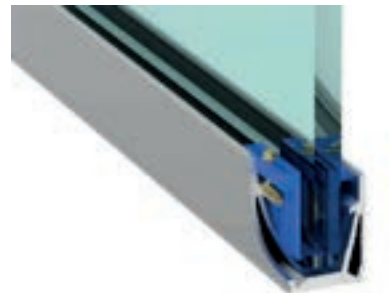
STEP 2 - CLAMP THE GLASS

Make up the clamps by loosely slotting the left and right hand sides together. Clamp these to the bottom edge of the glass at 250 mm intervals, starting at 125 mm from the first side edge. Squeeze the clamps tight around the glass and place the glass into the channel.



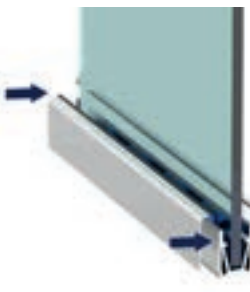
STEP 3 - FIT THE BARS

Assemble the MEGAhooks, nuts and bars so that the wide side of the bar is at the top next to the nut, with the MEGAhook below. Drop these, MEGAhooks down, either side of each glass clamp so that the lip on the MEGAhook hooks into the wall of the channel.



STEP 4 - ADJUST THE GLASS

With the bolts loosely in place, the glass panel can tilt in either direction. Align the panel as required, then tighten the nuts using a torque wrench (Torque setting 15Nm). A threadlocker can provide added security.



STEP 5 - ADD TOP BEAD

Top bead and gasket simply slides or clips onto the top edge of the channel.



STEP 6 - FINISH INSTALLATION

Your installation is complete!

CRL MEGAgrip Accreditations

The table below shows the line loading that MEGAgrip is certified to achieve.

These tests have been conducted in accordance with BS6180:2011 to certify that MEGAgrip meets the force loading requirement under this British standard for a range of glass height and thickness configurations.

GLASS TYPE >		25 MM TOUGHENED GLASS	25.5 MM TOUGHENED PVB				25.5 MM SENTRY GLASS			31.5 MM TOUGHENED PVB			33 MM TOUGHENED PVB
GLASS HEIGHT MM >		1100	1200	1500	1800	1100	1500	1800	1100	1800	2000	1100	
0.74kN LINE LOAD	STEEL							✓					
	CONCRETE			✓									
1.50kN LINE LOAD	STEEL		✓				✓			✓	✓		
	CONCRETE		✓				✓	✓			✓		
3.00kN LINE LOAD	STEEL	✓				✓			✓			✓	
	CONCRETE	✓				✓			✓			✓	



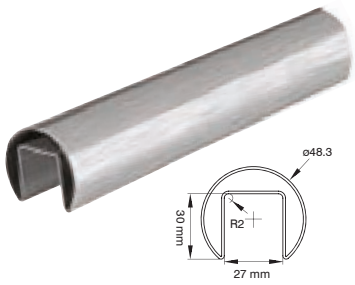


CRL Cap Rails and Hand Rails

Complete the look with the safety of a cap or hand rail fixed with vinyl or silicone, depending on your glass thickness.



CRL Round Cap Rails



CRL Round Cap Rail

- For use with 12 mm to 21.52 mm glass with vinyl inserts - see page 50
- For 25.52 mm glass with silicone - see page 51
- 316 stainless steel
- Connects to a variety of fabricated corners and end caps
- 1.2 mm material thickness

Cat. No. EUGR20BS
Brushed Stainless Steel -
3 m Length

Cat. No. EUGR20BS14
Brushed Stainless Steel -
4.2 m Length

Cat. No. EUGR20PS
Polished Stainless Steel -
3 m Length

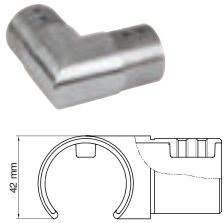
Cat. No. EUGR20PS14
Polished Stainless Steel -
4.2 m Length



CRL Round Internal Connector

- Used with 48.3 mm cap rail
- 316 grade stainless steel
- 1.2 mm material thickness

Cat. No. EUGR20CSS
Brushed Stainless Steel

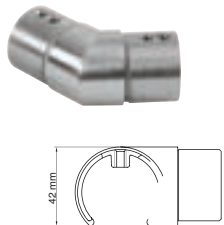


CRL Round 90° Corner

- Used with 48.3 mm cap rail
- 316 grade stainless steel
- 1.2 mm material thickness

Cat. No. EUGR20HBS
Brushed Stainless Steel

Cat. No. EUGR20HPS
Polished Stainless Steel

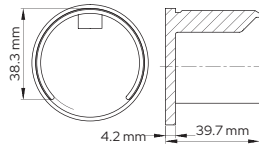


CRL Round 135° Corner

- Used with 48.3 mm cap rail
- 316 grade stainless steel
- 1.2 mm material thickness

Cat. No. EUGR20H3BS
Brushed Stainless Steel

Cat. No. EUGR20H3PS
Polished Stainless Steel

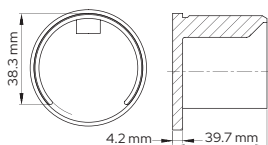


CRL Round End Cap

- Used with 48.3 mm cap rail
- 316 grade stainless steel
- 1.2 mm material thickness

Cat. No. EUGR20ECBS
Brushed Stainless Steel

Cat. No. EUGR20ECPS
Polished Stainless Steel



CRL Round Securing End Cap

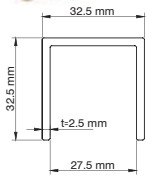
- Used with 48.3 mm cap rail
- 316 grade stainless steel
- Comes with fixing screws
- 1.2 mm material thickness

Cat. No. EUGR20SECBS
Brushed Stainless Steel

Cat. No. EUGR20SECPS
Polished Stainless Steel



CRL Square Cap Rails



CRL Square Cap Rail

- For 12 mm to 21.52 mm glass with vinyl inserts – see page 50
 - Sold per 3 metre length
 - 316 grade stainless steel
 - 2.5 mm material thickness
- Contact our Technical Advisors if using 25.52 mm laminated toughened glass for further details on QQ_800_0421_6144

Cat. No. EUL10BS
Brushed Stainless Steel

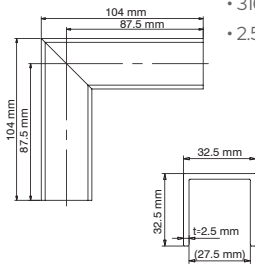
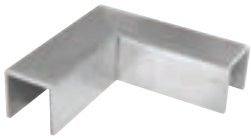
Cat. No. EUL10PS
Polished Stainless Steel



CRL Square Internal Connectors

- 316 grade stainless steel
- 2.5 mm material thickness

Cat. No. EUL10CSS
Brushed Stainless Steel

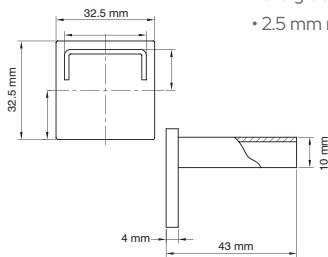


CRL Square 90° Corner

- 316 grade stainless steel
- 2.5 mm material thickness

Cat. No. EUL10HBS
Brushed Stainless Steel

Cat. No. EUL10HPS
Polished Stainless Steel

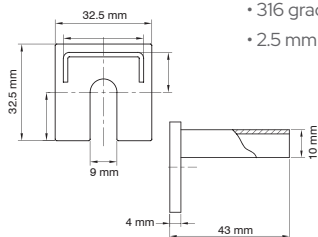


CRL Square End Caps

- 316 grade stainless steel
- 2.5 mm material thickness

Cat. No. EUL10ECBS
Brushed Stainless Steel

Cat. No. EUL10ECPS
Polished Stainless Steel



CRL Square Securing End Caps

- 316 grade stainless steel
- 2.5 mm material thickness

Cat. No. EUL10SECBS
Brushed Stainless Steel

Cat. No. EUL10SECPS
Polished Stainless Steel

CRL Vinyl Inserts for Round (EUGR20) and Square (EUL10) Cap Rails



CRL Vinyl Insert for 12 mm Glass

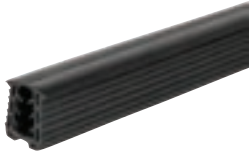
- Use with 48.3 mm cap rail and CRL square cap rail
- Cap rail vinyl

Cat. No. EUGR5PV

3 m Length

Cat. No. EUGR5PV14

4.2 m Length



CRL Vinyl Insert for 15 mm Glass

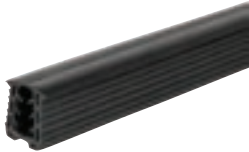
- Use with 48.3 mm cap rail and CRL square cap rail
- Cap rail vinyl

Cat. No. EUGR6PV

3 m Length

Cat. No. EUGR6PV14

4.2 m Length



CRL Vinyl Insert for 19 mm Glass

- Use with 48.3 mm cap rail and CRL square cap rail
- Cap rail vinyl

Cat. No. EUGR7PV

3 m Length

Cat. No. EUGR6PV14

4.2 m Length



CRL Vinyl Insert for 13.52 mm Glass

- Use with 48.3 mm cap rail and CRL square cap rail
- Cap rail vinyl

Cat. No. EUGR56PV

3 m Length

Cat. No. EUGR56PV14

4.2 m Length



CRL Vinyl Insert for 17.52 mm Glass

- Use with 48.3 mm cap rail and CRL square cap rail
- Cap rail vinyl

Cat. No. EUGR68PV

3 m Length

Cat. No. EUGR68PV14

4.2 m Length



CRL Vinyl Insert for 21.52 mm Glass

- Use with 48.3 mm cap rail and CRL square cap rail
- Cap rail vinyl

Cat. No. EUGR21PV

3 m Length

Cat. No. EUGR21PV14

4.2 m Length

For 25.52 mm glass use EURTV408 Silicone - see overleaf

CRL Loctite® Metal Contact Cement

- The strength of an epoxy and the speed of an instant adhesive
- Permanently bonds cap rails, hand rails, and their accessories with superior strength holding power up to 4,900psi
- Offers handling strength in 60 seconds, full cure in 24 hours
- Fixing handrail and cap rail connectors

Cat. No. 32629
Contact Cement

Cat. No. 7649
60 Second Primer



CRL Loctite® 60 Second Primer for Metal Contact Cement

- Use with Cat. No. 32629 for 60 second activation
- Single component non-CFC solvent based surface activator

CRL Kwixset® Expanding Cement

- Suitable for exterior and interior applications
- Great for setting core mount stanchions for vertical posts
- Fast setting, will not shrink or crack when used as directed
- CRL recommends consulting with the glass fabricator prior to wet setting laminated tempered glass

Cat. No. KWX25
11.3 kg

Cat. No. KWX50
22.7 kg



CRL Industrial and Construction Silicone

- Low odour, neutral cure formula
- Compatible with insulating glass glazing
- Excellent adhesion to most surfaces
- Low modulus
- High quality formula - low shrinkage
- 300 ml cartridge, 12 per case

Cat. No. EURTV408C
Clear

Cat. No. EURTV408W
White

Cat. No. EURTV408BL
Black

Cat. No. EURTV408G
Grey





CRL Spig-Lite Pro

CRL Spig-Lite Pro is our latest adjustable glass balustrade system that uses individual spigots and utilises the same adjustable clamping system method as CRL Posiglaze. It is quick and easy to install, raising the glass to 32 mm above the floor level which provides natural drainage.

It has been tested to BS6180:2011 to achieve 0.74kN loading required for residential and small commercial applications.

TESTED TO
BS 6180:2011



CRL Spig-Lite Pro is ideal for residential balustrade installations.

ONLY 2 SPIGOTS & FIXINGS REQUIRED PER METRE

Extremely quick to install, elongated holes to allow for easy alignment.

NO NEED TO DRILL THE GLASS

Our glass clamping mechanism removes the need to hold the glass with locking pins.

NO DRAINAGE ISSUES

Free drainage between the spigots means no water gets trapped inside the balcony area.

USES THE SAME PROVEN ADJUSTMENT SYSTEM AS POSIGLAZE

Horizontal alignment of each glass panel, ensuring the top edge of the glass is equal.

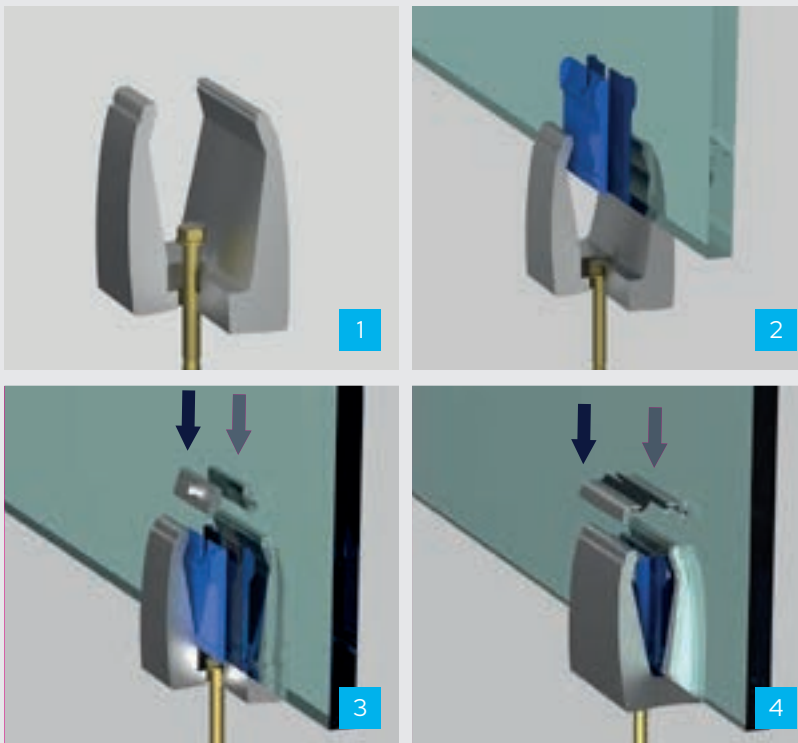
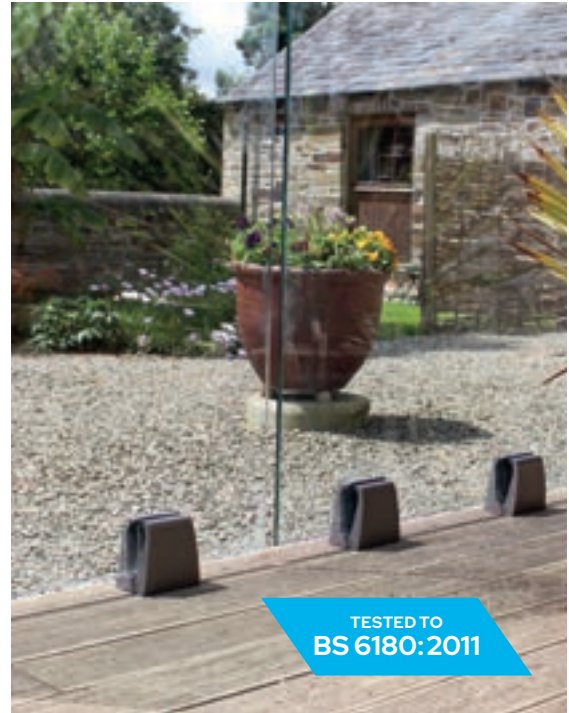
EXCELLENTLY ENGINEERED

Tested to BS6180:2011 - 0.74kN for private residential and small commercial applications.

GLASS THICKNESSES

- 12 mm and 15 mm toughened monolithic glass
- 21.52 mm toughened laminated glass

NOTE: ALL GLASS CLAMPS HAVE A 1MM TOLERANCE TO ACCEPT VARYING INTERLAYING THICKNESSES



Spig-Lite Pro is so easy to install

STEP 1

Bolt the spigots to the substrate.
(Only 2 spigots required per metre).

STEP 2

Firmly squeeze the clamps around the glass and lower into the Spigots.

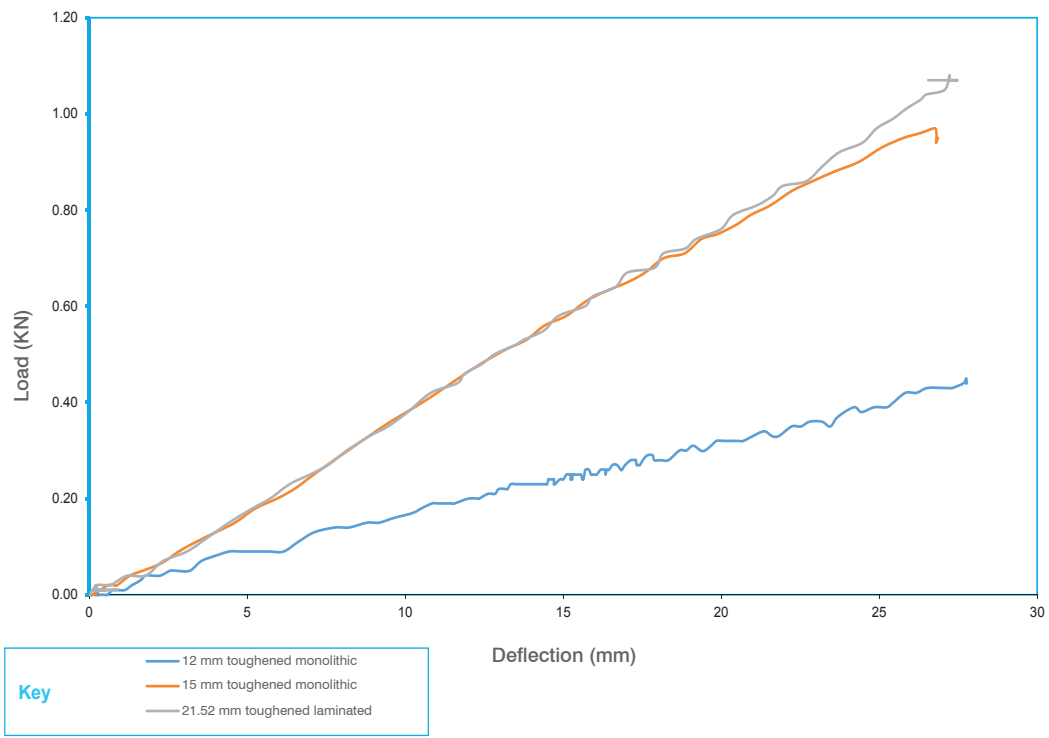
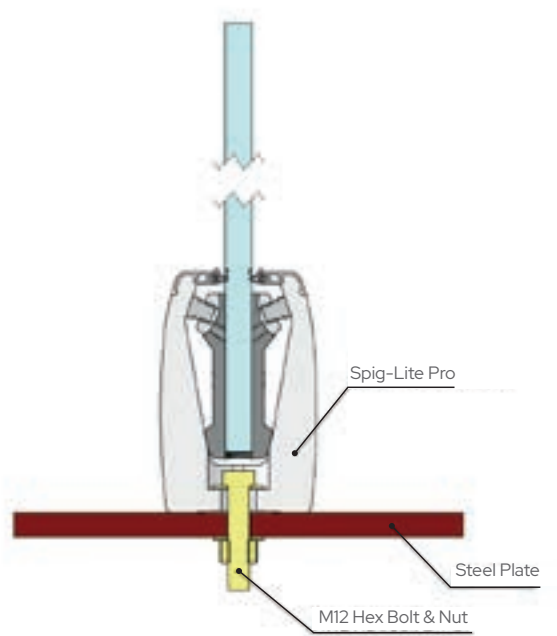
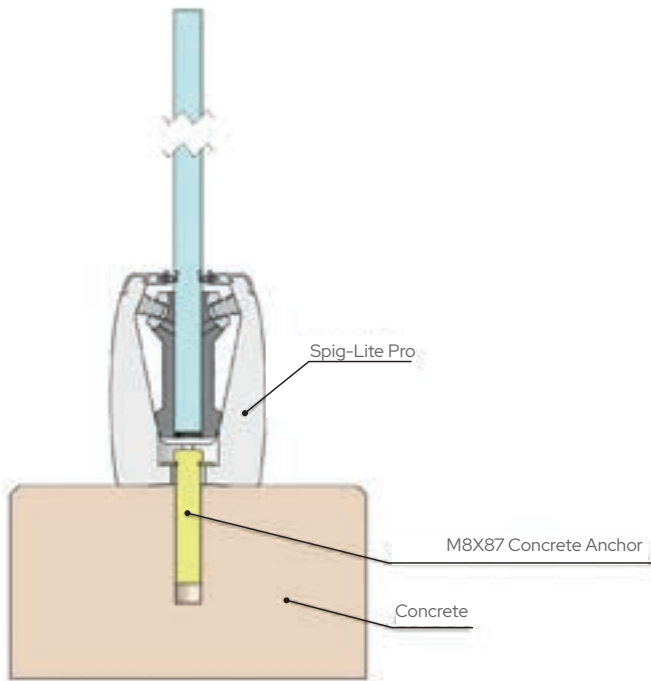
STEP 3

Thread the bolt in the clamp bar and position them within the moulded clamp area. Adjust and lock the glass in position by undoing the screw.

STEP 4

Slip the gasket in the top recess of the top bead. Apply adhesive to the top bead and place on the Spigot.

CRL Spig-Lite Pro Typical Installations



GLASS SPAN (MM)	GLASS THICKNESS	TEST HEIGHT (MM)	IMPOSED LINE LOAD AT 25MM DEFLECTION (KN/M)	WORKING LINE LOADS OR SYSTEM (KN/M)	DEFLECTION AT WORKING LINE LOAD FOR SYSTEM (MM)
1000	12 mm toughened monolithic	1100	0.39	0.36	22.8
1000	15 mm toughened monolithic	1100	0.92	0.74	19.38
1000	21.52 mm toughened laminated	1100	0.98	0.74	19.21



For a standard 1 m glass balustrade, the following components will be required:

- 2 x Spigots
- 2 x Clamps
- 4 x Top Clips
- 1 x 1 m length Gasket

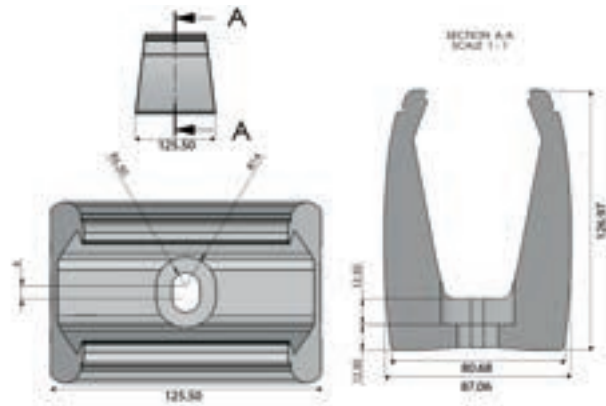


Spigot

- For use with 12 to 21.52 mm glass
- Pre-drilled in the centre
- Pre-finished Graphite Grey
- End Cap also available ESP1GAEC

Cat. No. ESP1GA
Spig-Lite Pro Spigot

Cat. No. ESP1GASAMPLE
Spig-Lite Pro Sample



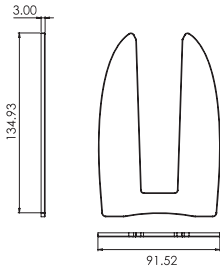
CRL Spig-Lite Pro Components



Top Clip

- Holds the gasket
- Pressed onto the channel at the end of the installation
- Pre-finished Graphite Grey

Cat. No. ESP1GATC
For 12-21.52 mm glass



End Caps

- Aluminium end cap
- Adhere using neutral cure silicone (not provided)

Cat. No. ESP1GAEC



Clamp Kits

- Glass clamps have a ± 1 mm tolerance to accommodate varying interlayer thicknesses in the glass
- Includes the clamp bars which sit into the top mould of the clamps and the clamp bolts which screw into the bars and are then undone to hold the glass in place. These are undone and tightened each side allowing the glass alignment.

Cat. No. ESP1GA12C
For 12 mm glass

Cat. No. ESP1GA15C
For 15 mm glass

Cat. No. ESP1GA17C
For 17.52 mm glass

Cat. No. ESP1GA21C
For 21.52 mm glass



Gasket

- 1 m length

Cat. No. ESP1GASK
For 12-21.52 mm glass



For use with concrete



For use with steel

Bolts for Spiglite pro

Cat. No. EAM8
For use with concrete

Cat. No. HHM12X40
For use with steel



For an almost invisible “frameless” look...

Our Frameless Windscreen Clamps, which are also known as spigots, provide a break from the wind using an almost invisible “frameless” look. No vertical posts are used between the panels of glass; they are solely supported from the bottom by these high strength stainless steel clamps.

- Also known as spigots
- Gives an ‘all-glass’ frameless look
- Great for pool fencing, balcony, and deck applications
- Available in two standard architectural finishes
- 316 alloy and duplex 2205 marine grade finishes
- Designed for 12 mm toughened glazing



CRL Frameless Windscreen Clamp System



CRL 2205 Duplex Stainless Steel Surface Mount Friction Fit Spigots

- 2205 Duplex Stainless Steel
- Superior corrosion resistance and strength compared to 316 Stainless
- Friction fit
- Suitable for 12 mm Toughened Glass
- Not designed for guard rail applications

Cat. No. FWCS22BS

Brushed Stainless

Cat. No. FWCS22PS

Polished Stainless



CRL Brushed Stainless Steel 2205 Round Surface Mount Friction Fit Spigot

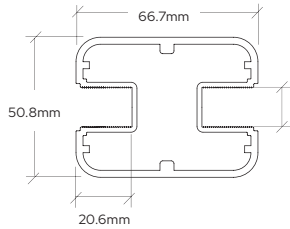
- 2205 Duplex Stainless Steel
- Superior corrosion resistance and strength compared to 316 Stainless
- Friction fit
- Suitable for 12 mm Toughened Glass
- Not designed for guard rail applications

Cat. No. FWCR22BS

Brushed Stainless

Cat. No. FWCR22PS

Polished Stainless



CRL 241" Long 2" x 2-5/8" Square 180 Degree Post

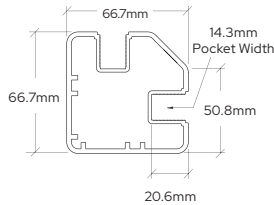
- Ready to install
- Low maintenance with special coating to prevent corrosion
- 6.12 m stock length so you can cut custom heights
- Custom colours also available

Cat. No. SP194S

Silver Metallic

Cat. No. SP194BL

Matte Black



CRL 241" Long 2" x 2-5/8" Square 90 Degree Post

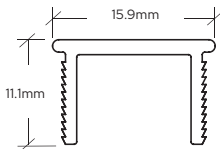
- Ready to install
- Low maintenance with special coating to prevent corrosion
- 6.12 m stock length so you can cut custom heights
- Custom colours also available

Cat. No. SP9194S

Silver Metallic

Cat. No. SP9194BL

Matte Black



CRL Metallic Silver 241" Glass Barrier Post Filler

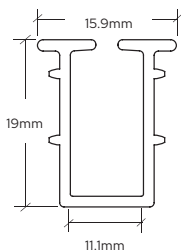
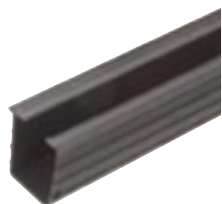
- Ready to snap into glass pocket
- Low maintenance
- Special coating to prevent corrosion

Cat. No. PF194S

Silver Metallic

Cat. No. PF194BL

Matte Black



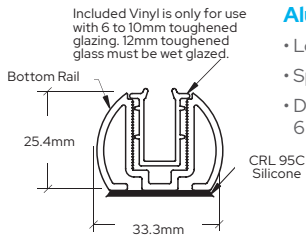
CRL 144" Glass Barrier Post Rigid Glazing Vinyl

- Black colour rigid push-in glazing vinyl for use with aluminium windscreen posts and bottom rails
- Designed to accommodate 6 to 10 mm toughened glazing

Cat. No. GV120BL

Matte Black

CRL Frameless Windscreen Clamp System



CRL 241" Bottom Rail Only for the Aluminum Windscreen System

- Low maintenance
- Special coating to prevent corrosion
- Designed to accommodate 6 mm and 10 mm toughened glazing

Cat. No. BR194S

Silver Metallic

Cat. No. BR194BL

Matte Black



Cap shown on post

CRL Rectangular AWS Post Cap for 180 Degree Center or End Post

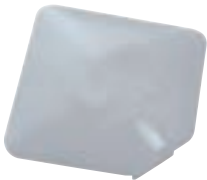
- Ready to install
- Attaches to post using crl's EURTV408BL silicone

Cat. No. PC1EWS

Silver Metallic

Cat. No. PC1EWBL

Matte Black



Cap shown on post

CRL Square AWS Post Cap for 90 Degree Corner Post

- Ready to install
- Attaches to post using CRL's EURTV408BL silicon

Cat. No. PC9SS

Silver Metallic

Cat. No. PC9SBL

Matte Black



CRL AWS Core Mount Stanchions

- Galvanized to prevent corrosion
- Available in four different sizes for round or rectangular windscreen posts
- Available in stainless steel for coastal installations
- Fits all of our rectangular or round aluminium posts

Cat. No. PST1

457 mm height
Grade 50 steel
Posts up to 914 mm high
3.2 mm thick

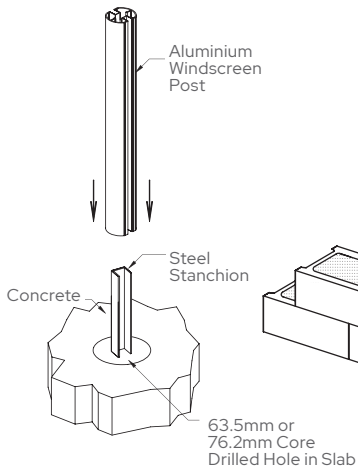
Cat. No. PST2

457 mm height
Grade 50 steel
Posts up to 1219 mm high
6.3 mm thick

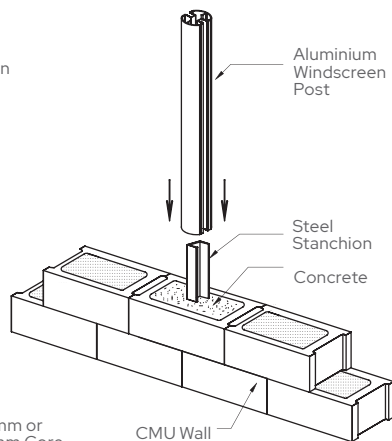
Cat. No. PST3

762 mm height
Grade 50 steel
Posts up to 1829 mm high
6.3 mm thick

Core Mount Installation for a Concrete Slab



Core Mount Installation for CMU Block Walls



CRL Frameless Windscreen Clamp System

CRL AWS Welded Steel Surface Mount Stanchions

- Mounting bases available in seven standard colours, plus unfinished chromate to match AWS posts
- 90,135, and 180 degree bases are designed for concrete or steel installations
- Attaches to the post using our EURTV408BL silicone
- Galvanized and powder coated to prevent corrosion



Steel Stanchions for Post Heights up to 1219mm (Stanchion height 762mm)

Cat. No. PSB1BS

Metallic Silver
For 180° Round/Rectangular Centre/End

Cat. No. PSB1BBL

Matte Black
For 180° Round/Rectangular Centre/End

Cat. No. PSB3BS

Metallic Silver
For 90° Rectangular Posts

Cat. No. PSB3BBL

Matte Black
For 90° Rectangular Posts

Steel Stanchions for Post Heights up to 1219 mm (Stanchion height 762 mm)

Cat. No. PSB1CS

Metallic Silver
For 180° Round/Rectangular Centre/End

Cat. No. PSB1CBL

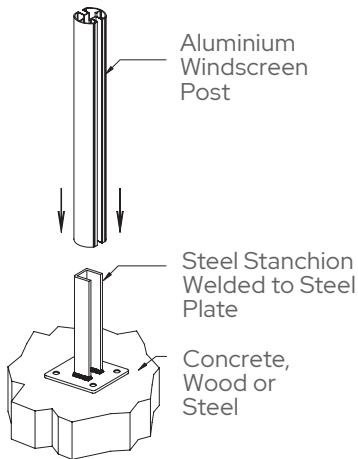
Matte Black
For 180° Round/Rectangular Centre/End

Cat. No. PSB3CS

Metallic Silver
For 90° Rectangular Posts

Cat. No. PSB3CBL

Matte Black
For 90° Rectangular Posts



CRL TAPER-LOC® W5B Series Base Shoe for Windscreen and Partition Screens



Designed for fixing 10 and 12 mm glass

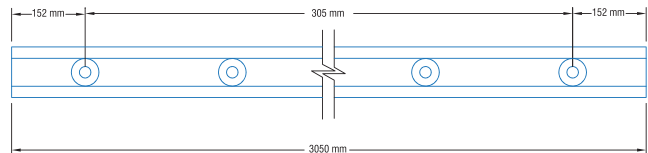
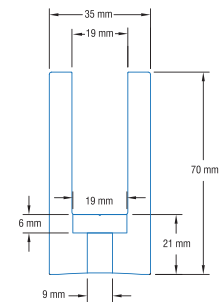
- For windscreens and partitions
- For use with 10 mm monolithic toughened glass
- For 12 mm glass use wet-glaze cement
- When using 10 mm glass use TL3X10 (see page 26)

Measurements:

Stock length: 3.05 m
 Hole Size: 9 mm
 Counter Bore: 19 mm
 Depth: 6 mm
 Centre-to-Centre: 305 mm
 Pre-Drilled



Cat. No. W5B10D
 Mill Finish



CRL TAPER-LOC® Cladding for Windscreen Base Shoe

304 Grade
Cat. No. BWCBS10
 Brushed Stainless Steel
Cat. No. BWPCS10
 Polished Stainless Steel



CRL TAPER-LOC® End Caps for Windscreen Base Shoe

304 Grade
Cat. No. B5WECBS
 Brushed Stainless Steel
Cat. No. B5WECPS
 Polished Stainless Steel

CRL TAPER-LOC® W7B Series Base Shoe for Windscreens and Partition Screens



Designed for fixing 19 mm glass

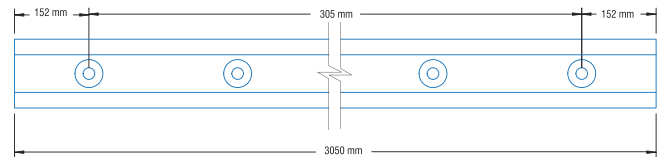
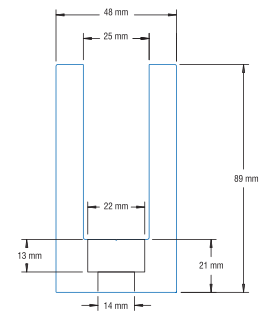
- For windscreens and partitions
- For use with 19 mm monolithic toughened glass
- Designed for wet-glaze installations

Measurements:

Stock length: 3.05 m
 Hole Size: 14 mm
 Counter Bore: 22 mm
 Depth: 13 mm
 Centre-to-Centre: 305 mm
 Pre-Drilled



Cat. No. W7B10D
 Mill Finish



CRL TAPER-LOC® Cladding for Windscreen Base Shoe

304 Grade
Cat. No. B7WCBS10
 Brushed Stainless Steel
Cat. No. B7WCPS10
 Polished Stainless Steel



CRL TAPER-LOC® End Caps for Windscreen Base Shoe

304 Grade
Cat. No. B7WECBS
 Brushed Stainless Steel
Cat. No. B7WECPS
 Polished Stainless Steel

Juliette Balcony System



Safe and Secure Balcony System with Rails

- Tested to a width of 2,400 mm – certificate available
- Tested to BS6180
- 316 Grade Stainless Steel
- For 12 mm or 13.52 mm glass

NOTE: Single pane of glass must be used.



Juliette Balcony System

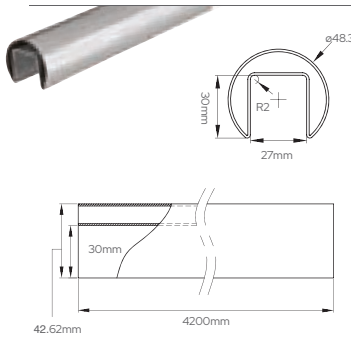
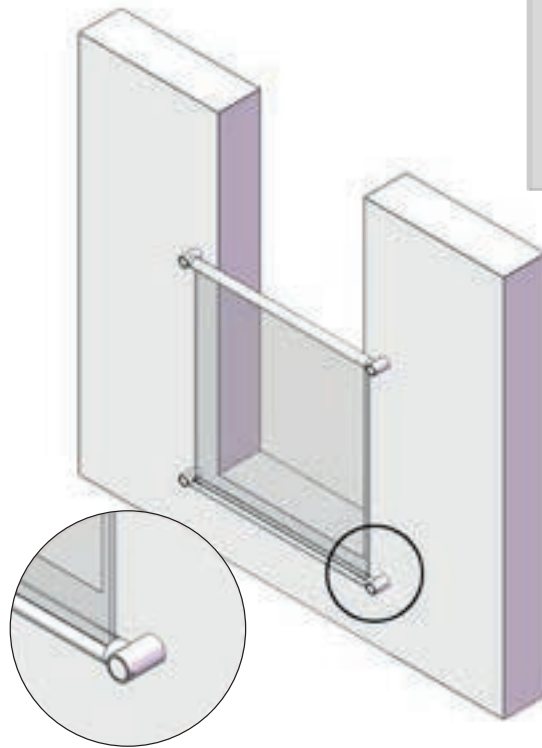
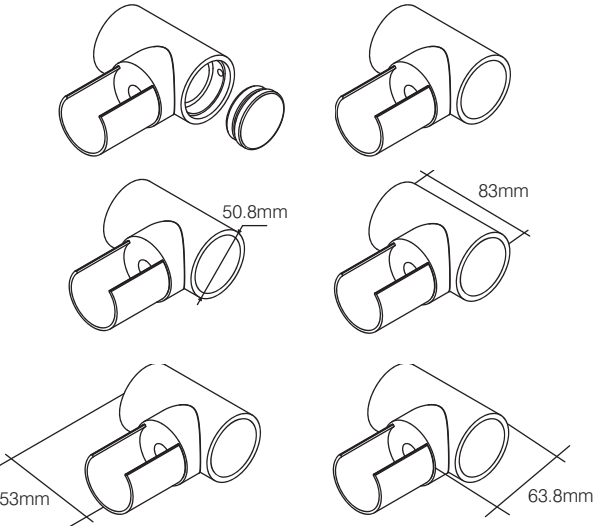


CRL Juliette Balcony Connector

- For use with the 48.3 mm EUGR20 Cap Rail
- 316 Grade Stainless Steel

Cat. No. EUGR20JBS
Brushed Stainless Steel

Cat. No. EUGR20JPS
Polished Stainless Steel



48.3mm Diameter Cap Rail

- Connects to a variety of fabricated corners and end caps
- 316 Grade Stainless Steel
- Tested to a width of 2,400 mm - certificate available
- Tested to BS6180
- Single pane of glass must be used
- For 12 mm or 13.52 mm glass

Cat. No. EUGR20BS
Brushed Stainless Steel
3 m Length

Cat. No. EUGR20BS14
Brushed Stainless Steel
4.2 m Length

Cat. No. EUGR20PS
Polished Stainless Steel
3 m Length

Cat. No. EUGR20PS14
Polished Stainless Steel
4.2m Length

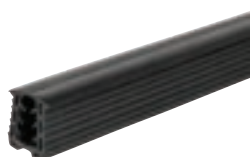


CRL Vinyl Insert for 12 mm Glass

- Used with 48.3 mm cap rail and CRL square cap rail
- Cap rail vinyl

Cat. No. EUGR5PV
3 m Length

Cat. No. EUGR5PV14
4.2 m Length



CRL Vinyl Insert for 13.52 mm Glass

- Used with 48.3 mm cap rail and CRL square cap rail
- Cap rail vinyl

Cat. No. EUGR56PV
3 m Length

Cat. No. EUGR56PV14
4.2 m Length

Paris Balcony System



Safe and Secure Frameless Balcony System

- Height 1,200 mm
- Fixes to brickwork, concrete and steel
- Tempered laminated glass
- Tested to BS6180:2011
- Substrate fixings not included
- Profiles can be cut to size on site
- Glass thickness of 21.52 for spans of up to 2,600 mm
- Glass thickness of 17.52 for spans of up to 2,150 mm
- Glass thickness of 13.52 for spans of up to 1,620mm



Paris Balcony System

CRL Fascia Mount Paris Balcony System 13.52 & 17.52 mm glass thickness

- Height 1,200 mm
- Fixes to brickwork, concrete and steel
- Tempered laminated glass
- Tested to BS6180:2011
- Substrate fixings not included
- Profiles can be cut to size on site
- 13.52 mm = 1,620 mm, 17.52 mm = 2,150 mm max span

Cat. No. PAR1S1GR

Grey RAL 7016

Cat. No. PAR1S1W

White RAL 9016

CRL Fascia Mount Paris Balcony System 21.52 mm glass thickness

- Height 1,200 mm
- Fixes to brickwork, concrete and steel
- Tempered laminated glass
- Tested to BS6180:2011
- Substrate fixings not included
- Profiles can be cut to size on site
- 21.52 mm glass thickness
- 2,600 mm max span

Cat. No. PAR1S2GR

Grey RAL 7016

Cat. No. PAR1S2W

White RAL 9016

CRL Reveal Mount Paris Balcony System 13.52 & 17.52 mm glass thickness

- Height 1,200 mm
- Fixes to brickwork, concrete and steel
- Tempered laminated glass
- Tested to BS6180:2011
- Substrate fixings not included
- Profiles can be cut to size on site
- 13.52 mm = 1,620 mm, 17.52 mm = 2,150 mm max span

Cat. No. PAR1S3GR

Grey RAL 7016

Cat. No. PAR1S3W

White RAL 9016

CRL Reveal Mount Paris Balcony System 21.52 mm glass thickness

- Height 1,200 mm
- Fixes to brickwork, concrete and steel
- Tempered laminated glass
- Tested to BS6180:2011
- Substrate fixings not included
- Profiles can be cut to size on site
- 21.52 mm glass thickness
- 2,600 mm max span

Cat. No. PAR1S4GR

Grey RAL 7016

Cat. No. PAR1S4W

White RAL 9016



CRL Post Railing System

CRL manufactures a comprehensive selection of Post Railing Systems that combine the durability of stainless steel components with innovative designs and engineering. Our Post Railing Systems offer a choice of designs for both commercial and residential applications. Standard finishes are brushed and polished stainless steel.

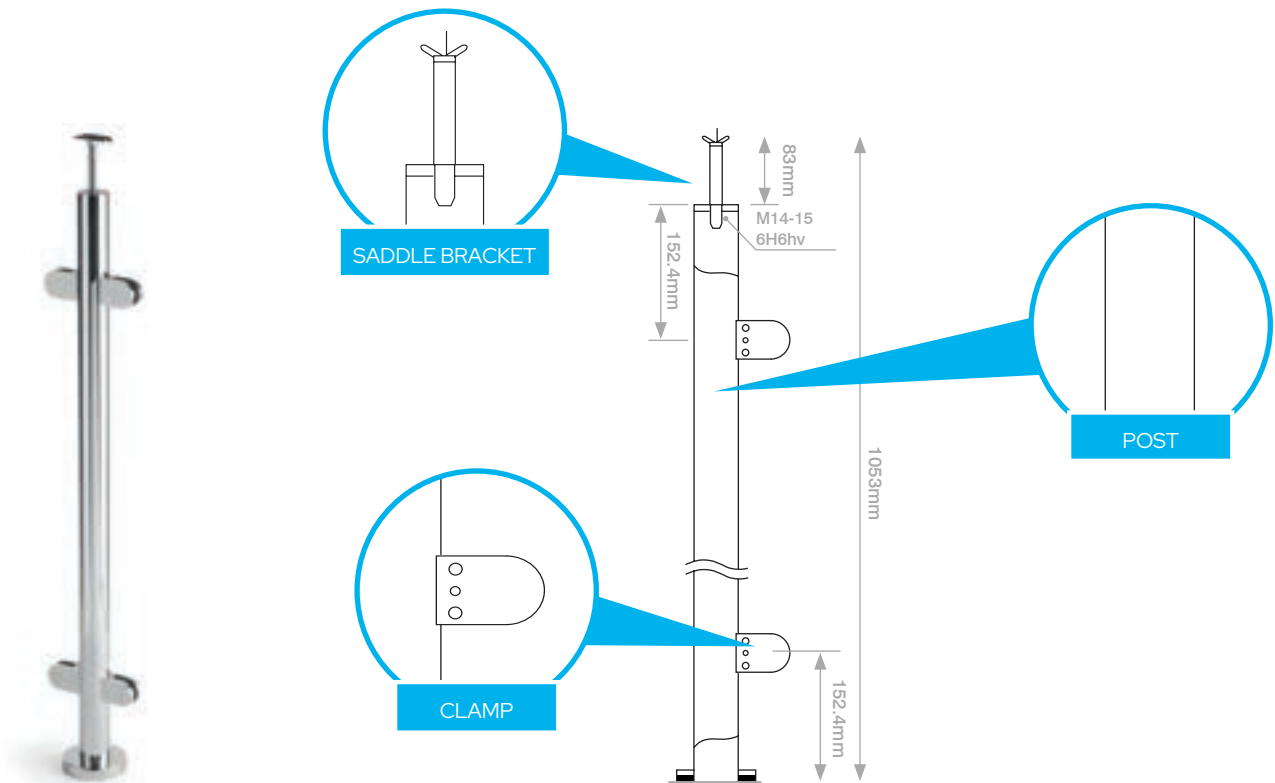


CRL Post Railing System



Save time & money

In detail



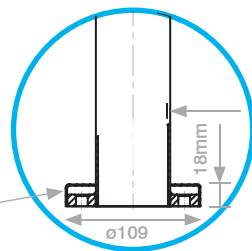
CRL Post Railing System - 50.8 mm Post Kits and Accessories



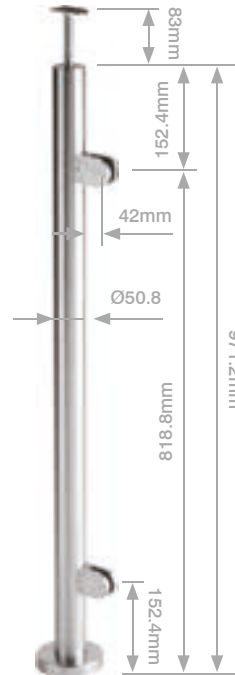
1100 mm Post

- 50.8 mm post kits
- 316 grade stainless steel
- Sold as a complete post kit
- For 8 mm and 12 mm glass
- Available in brushed and polished stainless steel
- 1100 mm high
- No clamps provided
- 2.5 mm material thickness

Cat. No. EUPR42BBS
Brushed Stainless Steel



Stainless steel cover

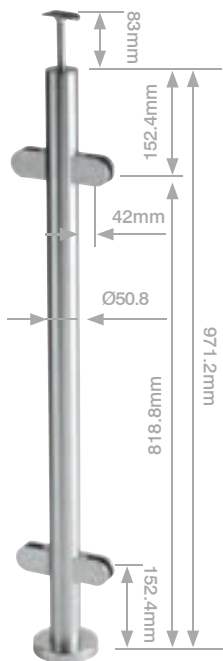


1100 mm End Post Kit

- 50.8 mm post kits
- 316 grade stainless steel
- Sold as a complete post kit
- For 10 mm and 12 mm glass
- Available in brushed and polished stainless steel
- 2.5 mm material thickness

Cat. No. EUPR42EBS
Brushed Stainless Steel

Cat. No. EUPR42EPS
Polished Stainless Steel

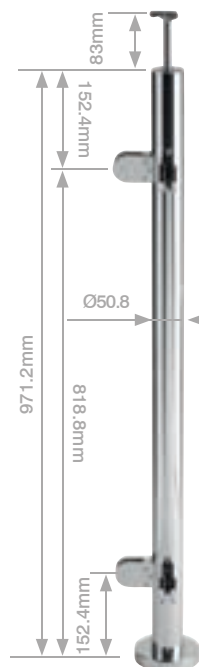


1100 mm Centre Post Kit

- 50.8 mm post kits
- 316 grade stainless steel
- Sold as a complete post kit
- For 10 mm and 12 mm glass
- Available in brushed and polished stainless steel
- 2.5 mm material thickness

Cat. No. EUPR42CBS
Brushed Stainless Steel

Cat. No. EUPR42CPS
Polished Stainless Steel

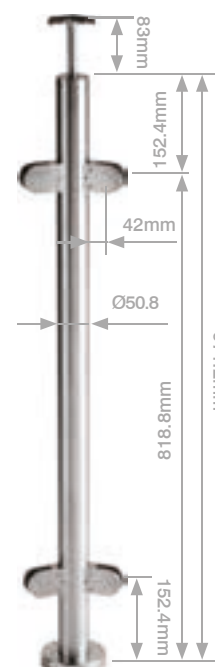


1100 mm 90° Post Kit

- 50.8 mm post kits
- 316 grade stainless steel
- Sold as a complete post kit
- For 10 mm and 12 mm glass
- Available in brushed and polished stainless steel
- 2.5 mm material thickness

Cat. No. EUPR42LBS
Brushed Stainless Steel

Cat. No. EUPR42LPS
Polished Stainless Steel



1100 mm 135° Post Kit

- 50.8 mm post kits
- 316 grade stainless steel
- Sold as a complete post kit
- For 10 mm and 12 mm glass
- Available in brushed and polished stainless steel
- 2.5 mm material thickness

Cat. No. EUPR42ABS
Brushed Stainless Steel

Cat. No. EUPR42APS
Polished Stainless Steel



316 Grade Stainless Steel

CRL Post Railing System - 50.8 mm Diameter Hand Rail Components



CRL Hand Rail Tubing

- 50.8 mm diameter
- Available in 3 m or 4.2 m lengths
- Used with European post kits
- 316 grade stainless steel
- 1.2 mm material thickness

Cat. No. EUHR20BS

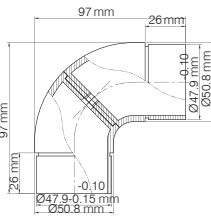
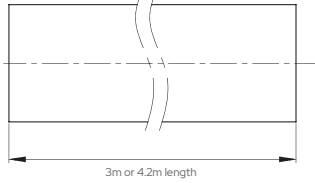
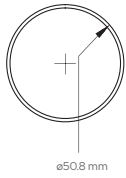
Brushed Stainless Steel - 3 m

Cat. No. EUHR20PS

Polished Stainless Steel - 3 m

Cat. No. EUHR20BS14

Brushed Stainless Steel - 4.2 m



CRL Adjustable Flange

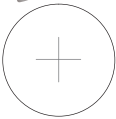
- Used with 50.8 mm diameter handrail tubing
- 316 grade stainless steel
- 1.2 mm material thickness

Cat. No. EUHR20PFBS

Brushed Stainless Steel

Cat. No. EUHR20PFPS

Polished Stainless Steel



End Cap

- For 50.8 mm post kits
- Used with handrail tubing
- 316 grade stainless steel
- Sold individually

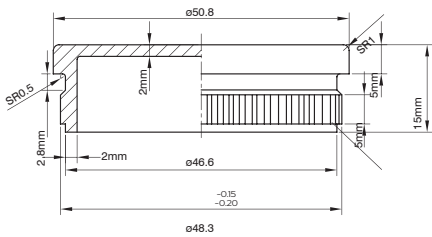
Cat. No. EUHR20ECBS

Brushed Stainless Steel

Cat. No. EUHR20ECPS

Polished Stainless Steel

FOR 50.8 MM KITS



Securing End Cap

- For 50.8 mm post kits
- Used with handrail tubing
- 316 grade stainless steel
- Sold individually

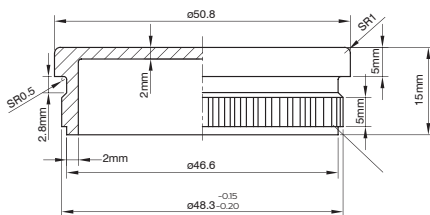
Cat. No. EUHR20SECBS

Brushed Stainless Steel

Cat. No. EUHR20SECP

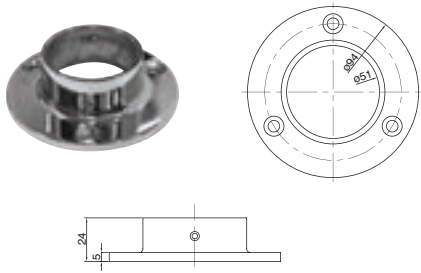
Polished Stainless Steel

FOR 50.8 MM KITS



316 Grade Stainless Steel

CRL Post Railing System - 50.8 mm Diameter Hand Rail Components



CRL Full Flange

- For 50.8 mm Tubing
- 316 grade stainless steel

FOR 50.8 MM KITS

Cat. No. EUHR20YBS
Brushed Stainless Steel

Cat. No. EUHR20YPS
Polished Stainless Steel

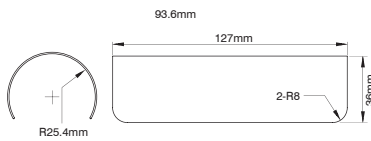


Internal Connector

- For 50.8 mm post kits
- Used with handrail tubing
- 316 grade stainless steel

FOR 50.8 MM KITS

Cat. No. EUHR20CSS
Brushed Stainless Steel



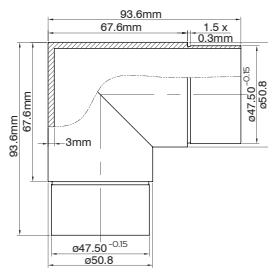
90° Corner

- For 50.8 mm post kits
- Used with European post kits
- 316 grade stainless steel
- Sold individually

FOR 50.8 MM KITS

Cat. No. EUHR20HBS
Brushed Stainless Steel

Cat. No. EUHR20HPS
Polished Stainless Steel



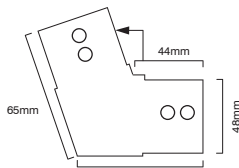
135° Corner

- Used with handrail tubing
- 316 grade stainless steel
- Sold individually

FOR 50.8 MM KITS

Cat. No. EUHR20H3BS
Brushed Stainless Steel

Cat. No. EUHR20H3PS
Polished Stainless Steel



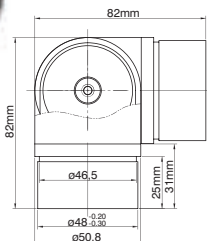
Adjustable Handrail Fitting

- For 50.8 mm post kits
- Used with handrail tubing
- 316 grade stainless steel
- Sold individually

FOR 50.8 MM KITS

Cat. No. EUHR20ADJBS
Brushed Stainless Steel

Cat. No. EUHR20ADJPS
Polished Stainless Steel



For Saddle Brackets and End caps see page 75 & 76

316 Grade Stainless Steel

CRL Post Railing System - 42.4 mm Post Kits

1100 mm Post

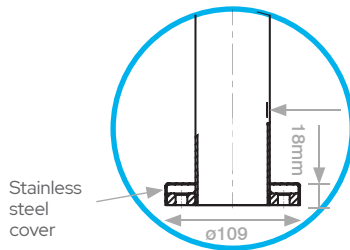
- 42.4 mm posts
- 316 grade stainless steel
- For 8.76 mm, 10 mm, 10.76 mm and 12 mm glass
- Available in brushed and polished stainless steel
- 1100 mm high
- No clamps provided
- 2.5 mm material thickness
- Sold as a complete post kit

Cat. No. EUPR4242BBS

Brushed Stainless Steel

Cat. No. EUPR4242BPS

Polished Stainless Steel



Stainless steel cover

1100 mm 90° Post Kit

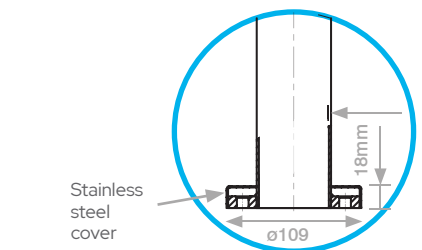
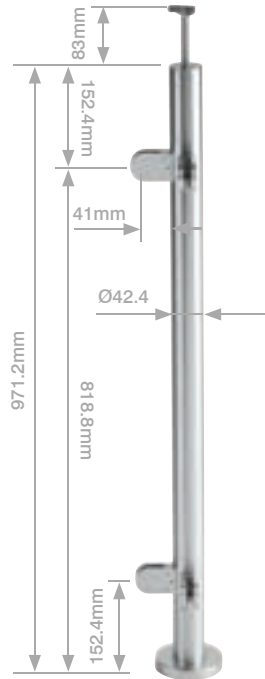
- 42.4 mm posts
- 316 grade stainless steel
- Sold as a complete post kit
- For 8.76 mm, 10 mm, 10.76 mm and 12 mm glass
- Available in brushed and polished stainless steel
- 2.5 mm material thickness

Cat. No. EUPR4242LBS

Brushed Stainless Steel

Cat. No. EUPR4242LPS

Polished Stainless Steel



Stainless steel cover

1100 mm Centre Post Kit

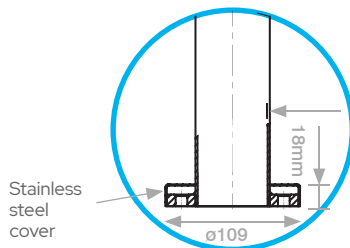
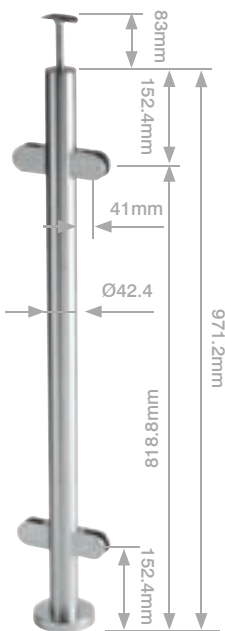
- 42.4 mm posts
- 316 grade stainless steel
- Sold as a complete post kit
- For 8.76 mm, 10 mm, 10.76 mm and 12 mm glass
- Available in brushed and polished stainless steel
- 2.5 mm material thickness

Cat. No. EUPR4242CBS

Brushed Stainless Steel

Cat. No. EUPR4242CPS

Polished Stainless Steel



Stainless steel cover

1100 mm End Post Kit

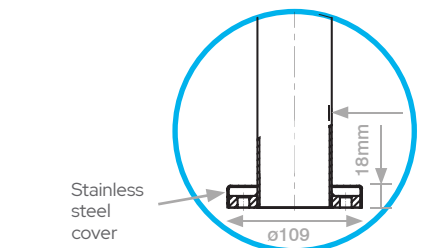
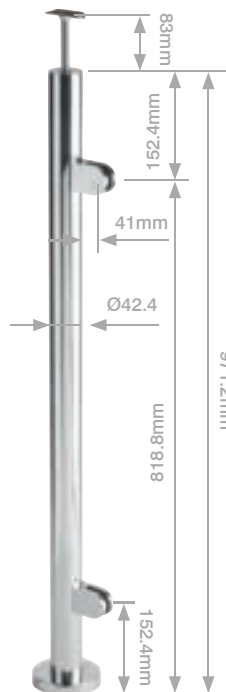
- 42.4 mm posts
- 316 grade stainless steel
- Sold as a complete post kit
- For 8.76 mm, 10 mm, 10.76 mm and 12 mm glass
- Available in brushed and polished stainless steel
- 2.5 mm material thickness

Cat. No. EUPR4242EBS

Brushed Stainless Steel

Cat. No. EUPR4242EPS

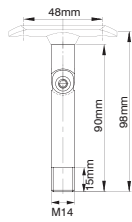
Polished Stainless Steel



Stainless steel cover

316 Grade Stainless Steel

CRL Post Railing System - 50.8 & 42.4 mm Diameter Hand Rail Components



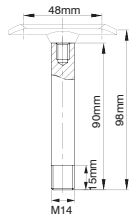
1100 mm Post Angle Bracket

- For 50.8 mm and 42.4 mm posts
- Used with European post kits
- 316 grade stainless steel

FOR 50.8 MM & 42.4 MM KITS

Cat. No. EUPR42ARBS
Brushed Stainless Steel

Cat. No. EUPR42ARPS
Polished Stainless Steel



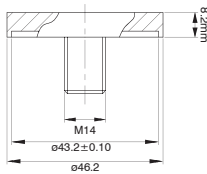
Saddle Bracket 180° Fixed

- For 50.8 mm and 42.4 mm posts
- Used with European post kits
- 316 grade stainless steel

FOR 50.8 MM & 42.4 MM KITS

Cat. No. EUPR42SBBS
Brushed Stainless Steel

Cat. No. EUPR42SBPS
Polished Stainless Steel



1100 mm Post Flat Plate Cap

- For 50.8 mm and 42.4 mm posts
- Used with European post kits
- 316 grade stainless steel

FOR 50.8 MM & 42.4 MM KITS

For 42.4 mm kits

Cat. No. EUPR4242CAPBS
Brushed Stainless Steel

Cat. No. EUPR4242CAPPS
Polished Stainless Steel

For 50.8 mm kits

Cat. No. EUPR42CAPBS
Brushed Stainless Steel

Cat. No. EUPR42CAPPS
Polished Stainless Steel



Handrail

- 42.4 mm handrails
- Available in 3 m or 4.2 m lengths
- 42.4 mm x 1.2 mm

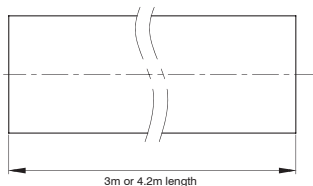
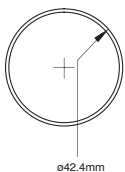
FOR 42.4 MM KITS

Cat. No. EUHR42BS
Brushed Stainless Steel - 3 m

Cat. No. EUHR42PS
Polished Stainless Steel - 3 m

Cat. No. EUHR42BS14
Brushed Stainless Steel - 4.2 m

Cat. No. EUHR42PS14
Polished Stainless Steel - 4.2 m



316 Grade Stainless Steel

CRL Post Railing System - 42.4 mm Diameter Hand Rail Components

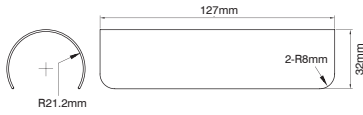


Int Connector

- For 42.4 mm handrails
- 127 mm Length
- Grade 316 Stainless Steel

Cat. No. EUHR42CSS
Brushed Stainless Steel

FOR 42.4 MM KITS



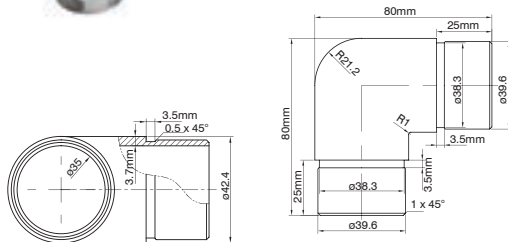
90° Corner

- For 42.4 mm handrail tubing
- 316 Grade Stainless Steel

Cat. No. EUHR42HBS
Brushed Stainless Steel

Cat. No. EUHR42HPS
Polished Stainless Steel

FOR 42.4 MM KITS



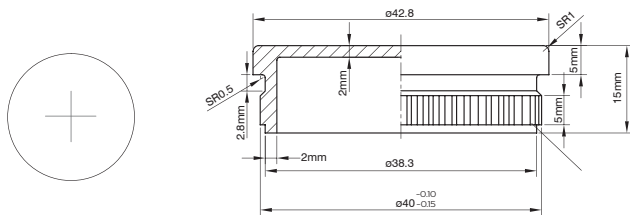
End Cap

- For 42.4 mm post kits
- Used with 42.4 mm handrail
- 316 grade stainless steel

Cat. No. EUHR42ECBS
Brushed Stainless Steel

Cat. No. EUHR42ECPs
Polished Stainless Steel

FOR 42.4 MM KITS



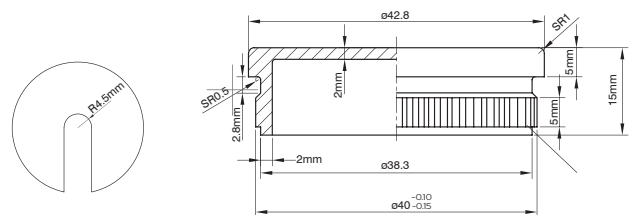
Securing End Cap

- For 42.4 mm post kits
- Used with 42.4 mm handrail
- 316 grade stainless steel

Cat. No. EUHR42SECBS
Brushed Stainless Steel

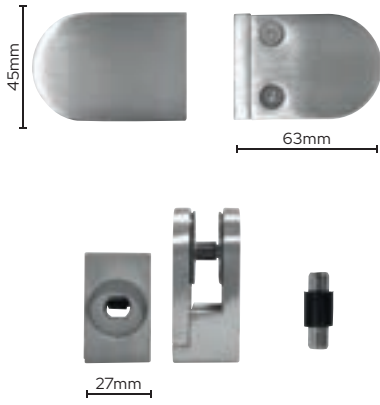
Cat. No. EUHR42SECPS
Polished Stainless Steel

FOR 42.4 MM KITS



316 Grade Stainless Steel

Ideal Clamps for Pre-Assembled Post Kits

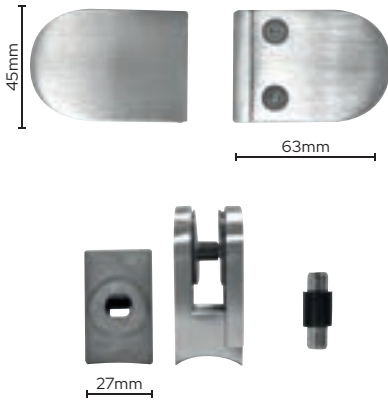


Flat Back Clamp for use with 50.8 mm Diameter Posts

- For use on mezzanines, partitions, railings and windbreaks
- 316 Grade Stainless Steel
- For 10 and 12 mm glass
- Comes complete with gaskets for monolithic toughened glass
- For laminated glass use the EUZ5GASK107 joints
- For support plates order EUZ5SUPPORT

Cat. No. EUZ51012BS
Brushed Stainless Steel

Cat. No. EUZ51012PS
Polished Stainless Steel



Radius Back Clamp for use with 50.8 mm Diameter Posts

- For use on mezzanines, partitions, railings and windbreaks
- 316 Grade Stainless Steel
- For 10 and 12 mm glass
- Comes complete with gaskets for monolithic toughened glass
- For laminated glass use the EUZ5GASK107 joints
- For support plates order EUZ5SUPPORT

Cat. No. EUZ51012RBS
Brushed Stainless Steel

Cat. No. EUZ51012RPS
Polished Stainless Steel

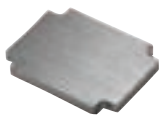


Gasket For EUZ5 Clamps

- Gaskets to be Used with EUZ51012 Clamps
- Suitable for laminated glass (tempered laminated)

Cat. No. EUZ5GASK107
For 10.7mm Glass

Cat. No. EUZ5GASK87
For 8.7mm Glass



Support Plate For EUZ5 Clamps

- Bottom supporting plate to be used with EUZ51012 clamps
- Suitable when laminated glass (tempered laminated) is installed
- This supporting plate prevents the clamp from applying too much pressure on the surfaces of the glass

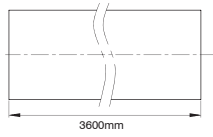
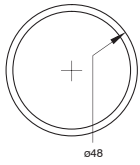
Cat. No. EUZ5SUPPORT

The range of clamps shown here are ideal for our range of pre-assembled post kits.
For alternative clamp options, please see page 84



316 Grade Stainless Steel

CRL Custom Post Components 48.3 mm - Fabrication Required



3600 mm Brushed Stainless Steel Tubing

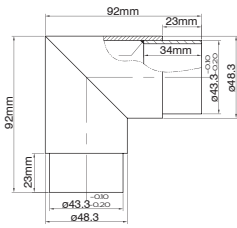
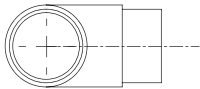
- 48.3 mm diameter
- 316 grade stainless steel
- 2.5 mm material thickness
- Post and Handrail

Cat. No. EUHR4825BS

Brushed Stainless Steel

Cat. No. EUHR4825PS

Polished Stainless Steel



90° Mitred Corner

- 48.3 mm diameter
- 316 grade stainless steel

Cat. No.

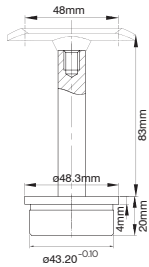
EUHR4825MCBS

Brushed Stainless Steel

Cat. No.

EUHR4825MCPS

Polished Stainless Steel



180° Post Mount Fixed Saddle

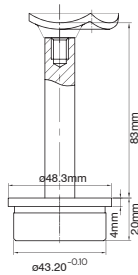
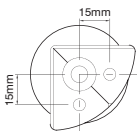
- 48.3 mm diameter
- 316 grade stainless steel

Cat. No. EUHR4825SBS

Brushed Stainless Steel

Cat. No. EUHR4825SPS

Polished Stainless Steel



90° Mount Fixed Saddle

- 48.3 mm
- 316 grade stainless steel

Cat. No.

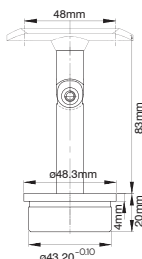
EUHR4825SHBS

Brushed Stainless Steel

Cat. No.

EUHR4825SHPS

Polished Stainless Steel



180° Mount Adjustable Saddle

- To suit 48.3 mm diameter tubing
- 316 grade stainless steel

Cat. No.

EUHR4825ASBS

Brushed Stainless Steel

Cat. No.

EUHR4825ASPS

Polished Stainless Steel

CRL also offers a full range of components for custom post railing systems

316 Grade Stainless Steel

CRL Custom Post Components 48.3 mm - Fabrication Required

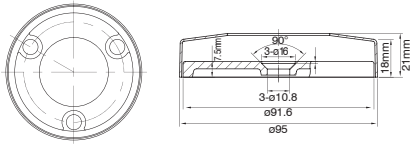


Flange & Canopy Kit

- To suit 48.3 mm diameter tubing
- 316 grade stainless steel

Cat. No.
EUHR4825XCBS
Brushed Stainless Steel

Cat. No.
EUHR4825XCPS
Polished Stainless Steel

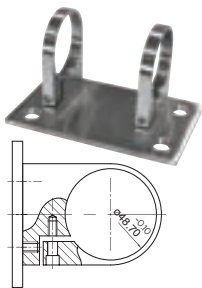
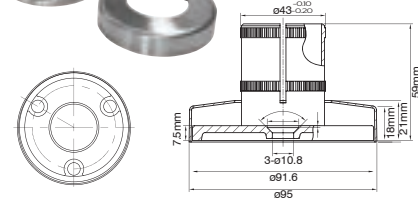


Flange / Canopy / Tube

- To suit 48.3 mm diameter tubing
- 316 grade stainless steel

Cat. No.
EUHR4825XBS
Brushed Stainless Steel

Cat. No.
EUHR4825XPS
Polished Stainless Steel

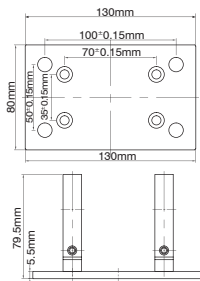


Fascia Bracket

- To suit 48.3 mm diameter tubing
- 316 grade stainless steel

Cat. No.
EUHR4825FBBS
Brushed Stainless Steel

Cat. No.
EUHR4825FBPS
Polished Stainless Steel

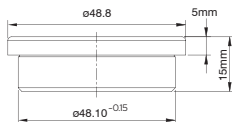


End Caps

- To suit 48.3 mm diameter tubing
- 316 grade brushed stainless steel

Cat. No.
EUHR4825ECBS
Brushed Stainless Steel

Cat. No.
EUHR4825ECPS
Polished Stainless Steel



Exterior corner Fascia Bracket

- To suit 48.3 mm diameter tubing
- 316 grade stainless steel

Cat. No.
EUHR4825CFBBS
Brushed Stainless Steel



Internal Corner Fascia Bracket

- To suit 48.3 mm diameter tubing
- 316 grade stainless steel

Cat. No.
EUHR48251CFBBS
Brushed Stainless Steel

CRL Heavy Duty Standoffs



Heavy duty, point supported Glass Rail Standoffs

CRL's heavy-duty, point supported Glass Rail Standoff Fittings gives the installer more adjustment during installation for those tricky job site mounting conditions. The steel back plate can be fastened directly to steel, concrete, or wood substrates and shimmed as required with blocking.

- Complete with mounting plate
- For use with 12 mm and 19 mm monolithic toughened glass or 13.5 mm and 21.5 mm laminated toughened glass using DuPont™ SentryGlas® Interlayers
- Brushed or polished 316 grade stainless finishes available
- Designed for steel, wood, and concrete substrates



CRL Heavy Duty Standoffs



CRL Glass Rail Standoff Base and Cap

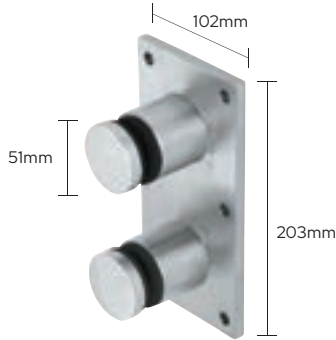
- Compact Design with Base, Cap, and Mounting Stud
- For use with 12 and 19 mm monolithic tempered glass or 13.52 and 21.52 mm laminated tempered glass Using Kuraray SentryGlas® Interlayer
- High Grade Alloy 316 Stainless Steel Standard
- For Mounting to Steel, Concrete, or Wood Substrate

Cat. No. RSOB2134BS

Brushed Stainless Steel

Cat. No. RSOB2134PS

Polished Stainless Steel



CRL Glass Rail Standoff Fittings Standard 51 mm Diameter Caps

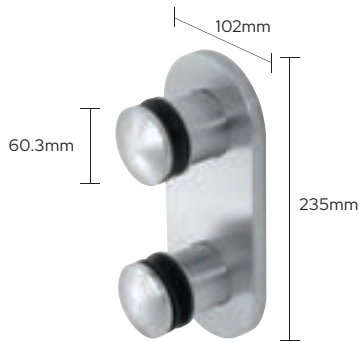
- For use with 12 mm and 19 mm monolithic toughened glass or 13.5 mm and 21.5 mm laminated toughened glass using DuPont™ SentryGlas® Interlayers
- Two 19 mm diameter holes per fitting
- Full engineering data available at crlaurence.co.uk

Cat. No. RSOB20BS

Brushed Stainless Steel

Cat. No. RSOB20PS

Polished Stainless Steel



CRL Glass Rail Standoff Fittings Standard 60 mm Diameter Caps

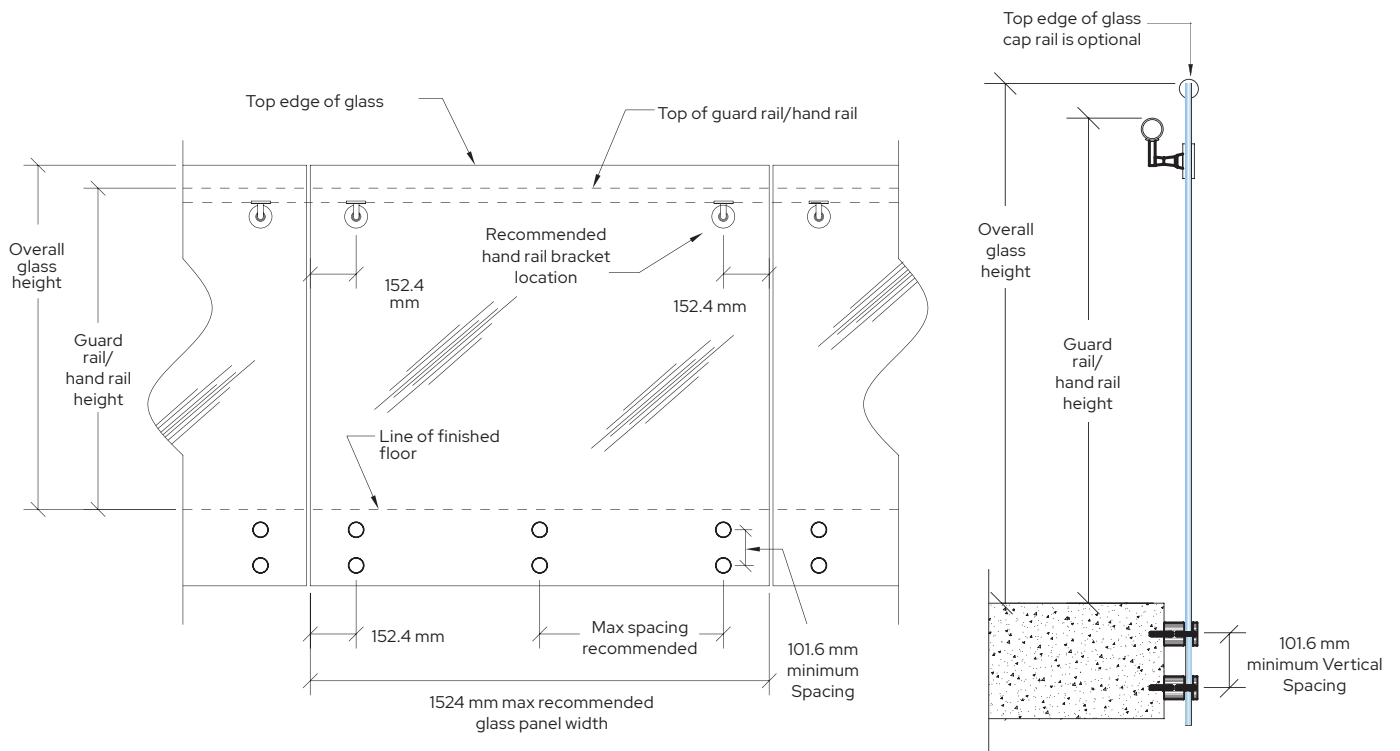
- For use with 12 mm and 19 mm monolithic toughened glass or 13.5 mm and 21.5 mm laminated toughened glass using DuPont™ SentryGlas® Interlayers
- Two 19 mm diameter holes per fitting
- Full engineering data available at crlaurence.co.uk

Cat. No. RSOB25BS

Brushed Stainless Steel

Cat. No. RSOB25PS

Polished Stainless Steel





Adjustable standoffs for installation on rough, self supporting substructures

CRL Langle adjustable standoffs have been specifically developed to be installed on rough, self-supporting substructures like concrete or stone. It is perfectly suited for the installation of glass facades as the model with a 60 mm diameter is optimal for the fastening of glass balustrades.

The adjustable standoff offers all necessary adjustments, whether horizontal or vertical as well as horizontal offset adjustments.

CRL Langle Standoffs



CRL Langle Fix Standoffs

Consisting of:

- 1 flat cap
- 1 spacer
- 2 EPDM
- 1 EPDM

Material:

304 Grade Brushed Stainless Steel
Salt Spray tested to 1000h NSS (DIN EN ISO 12944).
Rating according to DIN EN ISO 4628-2 and 4628-3
Tested to DIN 18003-3



CODE	Diameter	Wall-Glass	Stud Bolt	Glass Thickness	Cut Out
RSOB45BS	Ø 45 mm	30 mm	M10x70	8 - 20 mm	Ø 22 mm
RSOB60BS	Ø 60 mm	30 mm	M10x70	10 - 24 mm	Ø 26 mm



CRL Langle Adjustable Standoffs

Consisting of:

- 1 flat cap
- 1 spacer
- 1 fixing disc
- 2 EPDM washers, 2 EPDM sleeve,
2 stud bolts M10 (application depending
on glass thickness)

Material:

304 Grade Brushed Stainless Steel
Salt Spray tested to DIN EN ISO 4628-2
and 4628-3
Tested to DIN EN ISO 18003-3



CODE	Diameter	Wall-Glass	Stud Bolt	Glass Thickness	Cut Out
RSOBA45BS	Ø 45 mm	25 - 35 mm	M10x30	16 - 20 mm	Ø 22 mm
			M10x35	24 mm	Ø 22 mm
RSOBA60BS	Ø 60 mm	25 - 35 mm	M10x30	16 - 20 mm	Ø 26 mm
			M10x35	24 mm	Ø 26 mm

M10 Hanger Bolt 100mm Long

Cat. No. HB10100



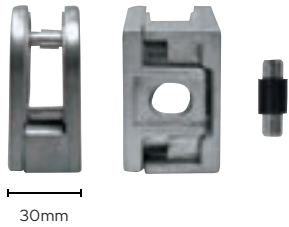
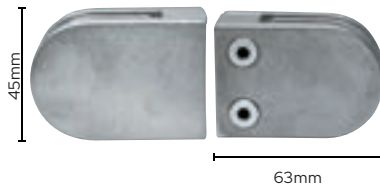


CRL Glass Clamps

CRL supply a comprehensive range of glass clamps for use on mezzanines, partitions, railings and windbreaks.

Designed to hold the glass panels firmly in position, CRL glass clamps are available in 316 grade stainless steel.





CRL Large D Shape Flat Back Clamp

- For use on mezzanines, partitions, railings and windbreaks
- Steel pin included for additional glass support
- For 6 to 12.76 mm toughened or laminated glass
- Sold individually
- Rubber gasket not included
- Please order the following rubber gaskets to suit:
 - CAT. NO. EUZ6G for 6 mm glass
 - CAT. NO. EUZ8G for 8 mm glass
 - CAT. NO. EUZ876G for 8.76 mm glass
 - CAT. NO. EUZ10G for 10 mm glass
 - CAT. NO. EUZ1076G for 10.76 mm glass
 - CAT. NO. EUZ12G for 12 mm glass
 - CAT. NO. EUZ1276G for 12.76 mm glass



INTERNAL USE:

Cat. No. EUZFBZ

Raw Zinc

Cat. No. EUZFBCH

Chrome

Cat. No. EUZFBBN

Brushed Nickel

Cat. No. EUZFBMBL

Matte Black

Cat. No. EUZFBBS304

304 Grade Brushed Stainless

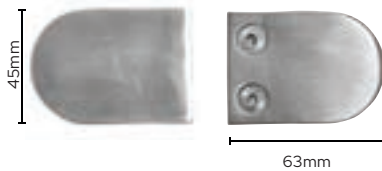
EXTERNAL USE:

Cat. No. EUZFBPS

316 Grade Polished Stainless

Cat. No. EUZFBBS

316 Grade Brushed Stainless



CRL Large D Shape Radius Back Clamp

- For use on mezzanines, partitions, railings and windbreaks
- Steel pin included for additional glass support
- For 6 to 12.76 mm toughened or laminated glass
- Sold individually
- Rubber Gasket not included
- Please order the following rubber gaskets to suit:
 - CAT. NO. EUZ6G for 6 mm glass
 - CAT. NO. EUZ8G for 8 mm glass
 - CAT. NO. EUZ876G for 8.76 mm glass
 - CAT. NO. EUZ10G for 10 mm glass
 - CAT. NO. EUZ1076G for 10.76 mm glass
 - CAT. NO. EUZ12G for 12 mm glass
 - CAT. NO. EUZ1276G for 12.76 mm glass



INTERNAL USE:

Cat. No. EUZ42RBN

Brushed Nickel Zinc Body

EXTERNAL USE:

Cat. No. EUZ42RPS

316 Grade Polished Stainless

Cat. No. EUZ42RBS

316 Grade Brushed Stainless

For 48.3 mm posts

INTERNAL USE:

Cat. No. EUZ48RCH

Chrome

Cat. No. EUZ48RBN

Brushed Nickel Zinc Body

Cat. No. EUZ48RBS304

304 Grade Brushed Stainless

EXTERNAL USE:

Cat. No. EUZ48RPS

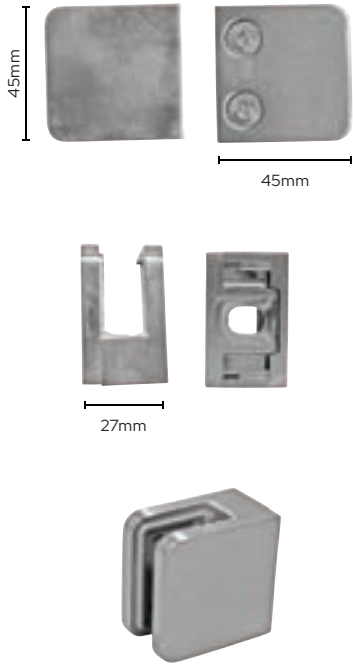
316 Grade Polished Stainless

Cat. No. EUZ48RBS

316 Grade Brushed Stainless



CRL Glass Clamps



CRL Square Type Back Clamp

- For use on mezzanines, partitions, railings and windbreaks
- For 6 to 10.76 mm toughened or laminated glass
- Sold individually
- Rubber gasket not included
- Please order the following rubber gaskets to suit:
 - CAT.NO. EUZS6G for 6 mm glass
 - CAT.NO. EUZS8G for 8 mm glass
 - CAT.NO. EUZS876G for 8.76 mm glass
 - CAT.NO. EUZS10G for 10 mm glass
 - CAT.NO. EUZS1076G for 10.76 mm glass
- Pin not included

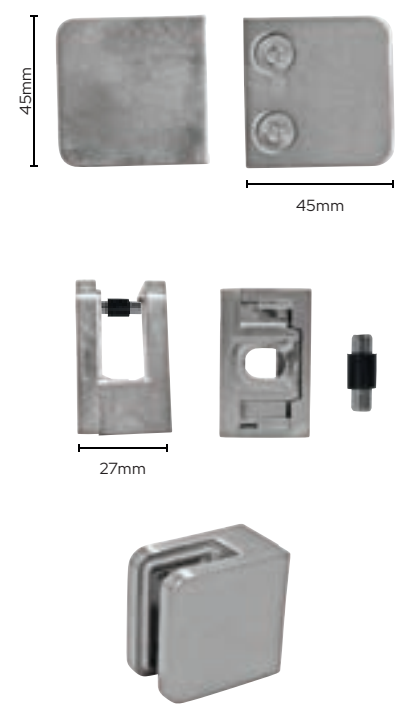


INTERNAL USE:

- EUZSFBZ**
Raw Zinc
- EUZSFBCH**
Chrome
- EUZSFBBN**
Brushed Nickel

EXTERNAL USE:

- EUZSFBPS**
316 Grade Polished Stainless
- EUZSFBBS**
316 Grade Brushed Stainless



CRL Square Type Back Clamp

- For use on mezzanines, partitions, railings and windbreaks
- For 6 to 12.76 mm toughened or laminated glass
- Sold individually
- Steel pin included for additional glass support
- Rubber gasket not included
- Please order the following rubber gaskets to suit:
 - CAT.NO. EUZS6GL for 6 mm glass
 - CAT.NO. EUZS676GL for 6.76 mm glass
 - CAT.NO. EUZS8GL for 8 mm glass
 - CAT.NO. EUZS876GL for 8.76 mm glass
 - CAT.NO. EUZS10GL for 10 mm glass
 - CAT.NO. EUZS1076GL for 10.76 mm glass
 - CAT.NO. EUZS12GL for 12 mm glass
 - CAT.NO. EUZS1276GL for 12.76 mm glass



INTERNAL USE:

- EUZSFBZL**
Raw Zinc

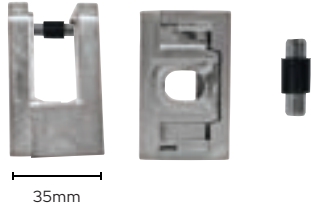
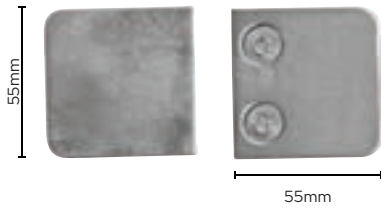
EXTERNAL USE:

- EUZSFBBSL**
316 Grade Brushed Stainless



CRL Square Type Flat Back Clamp

- For use on mezzanines, partitions, railings and windbreaks
- Supplied with side plates for use with laminated glass
- 316 grade stainless steel
- For 6 to 12.76 mm toughened or laminated glass
- Steel pin included for additional glass support
- Sold individually
- Rubber gasket not included
- Please order the following rubber gaskets to suit:
 - CAT.NO. EUZLS6GL for 6 mm glass
 - CAT.NO. EUZLS676GL for 6.76 mm glass
 - CAT.NO. EUZLS8GL for 8 mm glass
 - CAT.NO. EUZLS876GL for 8.76 mm glass
 - CAT.NO. EUZLS10GL for 10 mm glass
 - CAT.NO. EUZLS1076GL for 10.76 mm glass
 - CAT.NO. EUZLS12GL for 12 mm glass
 - CAT.NO. EUZLS1276GL for 12.76 mm glass



INTERNAL USE:

EUZLSFBZL
Raw Zinc

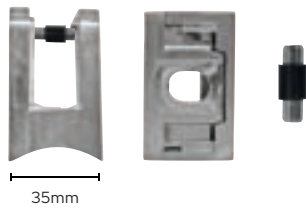
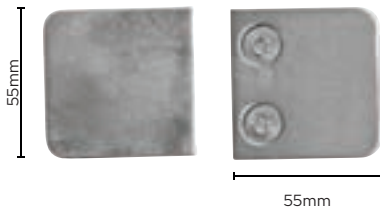
EXTERNAL USE:

EUZLSFBBSL
Brushed Stainless



CRL Square Type Radius Back Clamp

- For use on mezzanines, partitions, railings and windbreaks
- Side plates for use with laminated glass included
- For 6 to 12.76 mm toughened or laminated glass
- Steel pin included for additional glass support
- Sold individually
- Rubber gasket not included
- Please order the following rubber gaskets to suit:
 - CAT.NO. EUZLS6GL for 6 mm glass
 - CAT.NO. EUZLS676GL for 6.76 mm glass
 - CAT.NO. EUZLS8GL for 8 mm glass
 - CAT.NO. EUZLS876GL for 8.76 mm glass
 - CAT.NO. EUZLS10GL for 10 mm glass
 - CAT.NO. EUZLS1076GL for 10.76 mm glass
 - CAT.NO. EUZLS12GL for 12 mm glass
 - CAT.NO. EUZLS1276GL for 12.76 mm glass



For 42.4 mm posts

INTERNAL USE:

Cat. No. EUZLS42RZL
Raw Zinc

EXTERNAL USE:

Cat. No. EUZLS42RBSL
316 Grade Brushed Stainless

For 48.3 mm posts

INTERNAL USE:

Cat. No. EUZLS48RZL
Raw Zinc

EXTERNAL USE:

Cat. No. EUZLS48RBSL
316 Grade Brushed Stainless



CRL Rubber gasket for EUZFB/EUZ42/EUZ48 Series Clamps

- 63 mm x 45 mm
- For use with toughened or laminated glass
- Black colour
- Sold by the pair



EUZ6G

For 6 mm Glass

EUZ8G

For 8 mm Glass

EUZ876G

For 8.76 mm Glass

EUZ10G

For 10 mm Glass

EUZ1076G

For 10.76 mm Glass

EUZ12G

For 12 mm Glass

EUZ1276G

For 12.76 mm Glass

CRL Rubber gasket for EUZSF Series Clamps

- 45 mm x 45 mm
- For use with toughened or laminated glass
- Black colour
- Sold by the pair



EUZS6G

For 6 mm Glass

EUZS8G

For 8 mm Glass

EUZS876G

For 8.76 mm Glass

EUZS10G

For 10 mm Glass

EUZS1076G

For 10.76 mm Glass

CRL Rubber gasket for EUZLSF/EUZLS42/EUZLS48 Series Clamps

CRL Rubber gasket for EUZLSF/EUZLS42/EUZLS48 Series Clamps



EUZLS6GL

For 6 mm Glass

EUZLS676GL

For 6.76 mm Glass

EUZLS8GL

For 8 mm Glass

EUZLS876GL

For 8.76 mm Glass

EUZLS10GL

For 10 mm Glass

EUZLS1076GL

For 10.76 mm Glass

EUZLS12GL

For 12 mm Glass

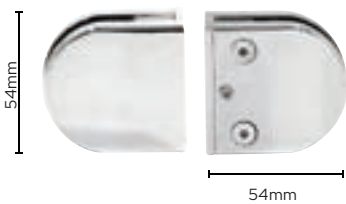
EUZLS1276GL

For 12.76 mm Glass

CRL Glass Clamps - Round



Round



CRL Z-Series Round Type Flat Base Zinc Clamp

- 6 mm and 8 mm glass
- Replacement gaskets are available by ordering CRL Cat. No. Z14RG
- The ideal clamp for use on mezzanines, partitions, railings and windbreaks
- Steel pin included for additional glass support
- Tested and engineered to meet and exceed code standards

INTERNAL USE:

Base metal: zinc casting

Cat. No. Z406CH Chrome

Cat. No. Z406BN

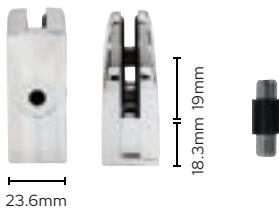
Brushed Nickel

Cat. No. Z406BR Brass

Cat. No. Z406GP Gold

Cat. No. Z406SC Satin Chrome

Cat. No. Z406W White



CRL Z-Series Round Type Flat Base Stainless Steel Clamp

- 6 mm and 8 mm glass
- Replacement gaskets are available by ordering CRL Cat. No. Z14RG
- The ideal clamp for use on mezzanines, partitions, railings and windbreaks
- Steel pin included for additional glass support
- Tested and engineered to meet and exceed code standards
- 316 grade stainless steel

EXTERNAL USE:

Base metal: stainless steel

Cat. No. Z506PS

Polished Stainless

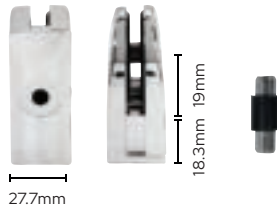
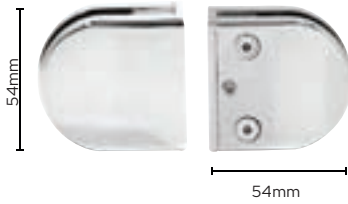
Cat. No. Z506BS

Brushed Stainless



316 Grade Stainless Steel

CRL Glass Clamps - Round



CRL Z-Series Round Type Flat Base Zinc Clamp

- 10 mm glass
- Replacement gaskets are available by ordering CRL Cat. No. Z38RG
- The ideal clamp for use on mezzanines, partitions, railings and windbreaks
- Steel pin included for additional glass support
- Tested and engineered to meet and exceed code standards

INTERNAL USE:

Base metal: zinc casting

Cat. No. Z410CH Chrome

Cat. No. Z410BN Brushed Nickel

Cat. No. Z410BR Brass

Cat. No. Z410GP Gold

Cat. No. Z410SC Satin Chrome

Cat. No. Z410W White

CRL Z-Series Round Type Flat Base Stainless Steel Clamp

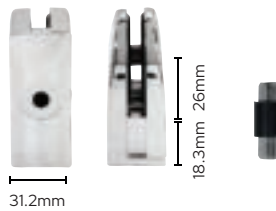
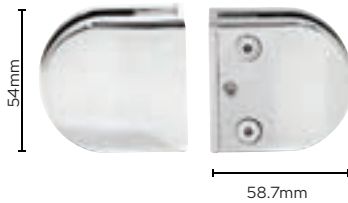
- 10 mm glass
- Replacement gaskets are available by ordering CRL Cat. No. Z38RG
- The ideal clamp for use on mezzanines, partitions, railings and windbreaks
- Steel pin included for additional glass support
- Tested and engineered to meet and exceed code standards
- 316 grade stainless steel

EXTERNAL USE:

Base metal: stainless steel

Cat. No. Z510PS Polished Stainless

Cat. No. Z510BS Brushed Stainless



CRL Z-Series Round Type Flat Base Zinc Clamp

- For 12 mm and 13.52 mm glass
- Replacement gaskets are available by ordering Cat. No. Z12RG
- The ideal clamp for use on mezzanines, partitions, railings and windbreaks
- Steel pin included for additional glass support
- Tested and engineered to meet and exceed code standards

INTERNAL USE:

Base metal: zinc casting

Cat. No. Z412CH Chrome

Cat. No. Z412BN Brushed Nickel

Cat. No. Z412BR Brass

Cat. No. Z412GP Gold

Cat. No. Z412SC Satin Chrome

Cat. No. Z412W White

CRL Z-Series Round Type Flat Base Stainless Steel Clamp

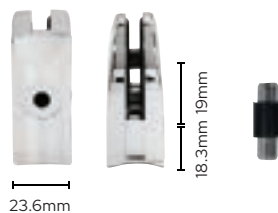
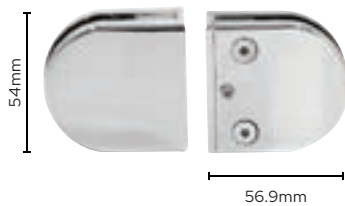
- For 12 mm and 13.52 mm glass
- Replacement gaskets are available by ordering Cat. No. Z12RG
- The ideal clamp for use on mezzanines, partitions, railings and windbreaks
- Steel pin included for additional glass support
- Tested and engineered to meet and exceed code standards
- 316 grade stainless steel

EXTERNAL USE:

Base metal: stainless steel

Cat. No. Z512PS Polished Stainless

Cat. No. Z512BS Brushed Stainless



CRL Z-Series Round Type 50.8 mm Radius Base Zinc Clamp

- For 6 mm and 8 mm glass
- Replacement gaskets are available by ordering Cat. No. Z14RG
- The ideal clamp for use on mezzanines, partitions, railings and windbreaks
- Steel pin included for additional glass support
- Tested and engineered to meet and exceed code standards

INTERNAL USE:

Base metal: zinc casting

Cat. No. Z206CH Chrome

Cat. No. Z206BN Brushed Nickel

Cat. No. Z206BR Brass

Cat. No. Z206GP Gold

Cat. No. Z206SC Satin Chrome

Cat. No. Z610W White

CRL Z-Series Round Type 50.8 mm Radius Base Stainless Steel Clamp

- For 6 mm and 8 mm glass
- Replacement gaskets are available by ordering Cat. No. Z14RG
- The ideal clamp for use on mezzanines, partitions, railings and windbreaks
- Steel pin included for additional glass support
- Tested and engineered to meet and exceed code standards
- 316 grade stainless steel

EXTERNAL USE:

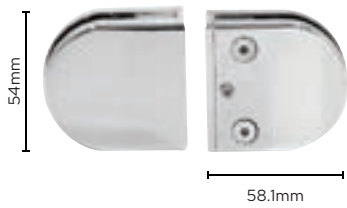
Base metal: stainless steel

Cat. No. Z306PS Polished Stainless

Cat. No. Z306BS Brushed Stainless

316 Grade Stainless Steel

CRL Glass Clamps - Round



CRL Z-Series Round Type 50.8 mm Radius Base Zinc Clamp

- For 10 mm thick glass
- Replacement gaskets are available by ordering Cat. No. Z14RG
- The ideal clamp for use on mezzanines, partitions, railings and windbreaks
- Steel pin included for additional glass support
- Tested and engineered to meet and exceed code standards

INTERNAL USE:

Base metal: zinc casting

Cat. No. Z210CH Chrome

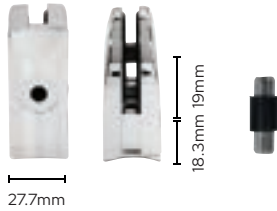
Cat. No. Z210BN Brushed Nickel

Cat. No. Z210BR Brass

Cat. No. Z210GP Gold

Cat. No. Z210SC Satin Chrome

Cat. No. Z210W White



CRL Z-Series Round Type 50.8 mm Radius Base Stainless Steel Clamp

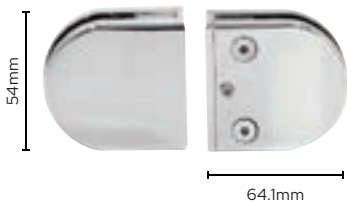
- For 10 mm thick glass
- Replacement gaskets are available by ordering Cat. No. Z14RG
- The ideal clamp for use on mezzanines, partitions, railings and windbreaks
- Steel pin included for additional glass support
- Tested and engineered to meet and exceed code standards
- 316 grade stainless steel

EXTERNAL USE:

Base metal: stainless steel

Cat. No. Z310PS Polished Stainless

Cat. No. Z310BS Brushed Stainless



CRL Z-Series Round Type 50.8 mm Radius Base Zinc Clamp

- For 12 mm and 13.52 mm glass
- Replacement gaskets are available by ordering Cat. No. Z14RG
- The ideal clamp for use on mezzanines, partitions, railings and windbreaks
- Steel pin included for additional glass support
- Tested and engineered to meet and exceed code standards

INTERNAL USE:

Base metal: zinc casting

Cat. No. Z212CH Chrome

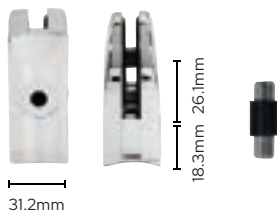
Cat. No. Z212BN Brushed Nickel

Cat. No. Z212BR Brass

Cat. No. Z212GP Gold

Cat. No. Z212SC Satin Chrome

Cat. No. Z212W White



CRL Z-Series Round Type 50.8 mm Radius Base Stainless Steel Clamp

- For 12 mm and 13.52 mm glass
- Replacement gaskets are available by ordering Cat. No. Z14RG
- The ideal clamp for use on mezzanines, partitions, railings and windbreaks
- Steel pin included for additional glass support
- Tested and engineered to meet and exceed code standards
- 316 grade stainless steel

EXTERNAL USE:

Base metal: stainless steel

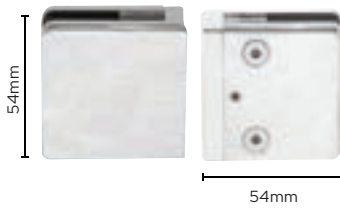
Cat. No. Z312PS Polished Stainless

Cat. No. Z312BS Brushed Stainless



316 Grade Stainless Steel

CRL Glass Clamps - Square

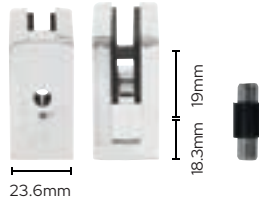


CRL Z-Series Square Type Flat Base Zinc Clamp

- For 6 mm and 8 mm glass
- Replacement gaskets are available by ordering Cat. No. Z14SG
- The ideal clamp for use on mezzanines, partitions, railings and windbreaks
- Steel pin included for additional glass support
- Tested and engineered to meet and exceed code standards

INTERNAL USE:

- Base metal: zinc casting**
- Cat. No. Z806CH** Chrome
- Cat. No. Z806BN** Brushed Nickel
- Cat. No. Z806BR** Brass
- Cat. No. Z806GP** Gold
- Cat. No. Z806W** White

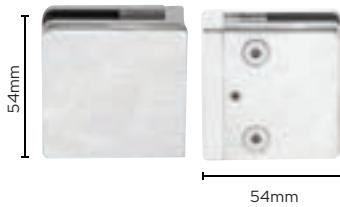


CRL Z-Series Square Type Flat Base Stainless Steel Clamp

- For 6 mm and 8 mm glass
- Replacement gaskets are available by ordering Cat. No. Z14SG
- The ideal clamp for use on mezzanines, partitions, railings and windbreaks
- Steel pin included for additional glass support
- Tested and engineered to meet and exceed code standards
- 316 grade stainless steel

EXTERNAL USE:

- Base metal: stainless steel**
- Cat. No. Z906PS** Polished Stainless
- Cat. No. Z906BS** Brushed Stainless

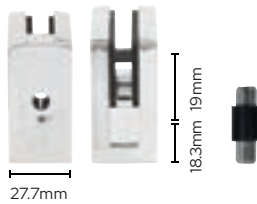


CRL Z-Series Square Type Flat Base Zinc Clamp

- For 10 mm glass
- The ideal clamp for use on mezzanines, partitions, railings and windbreaks
- Steel pin included for additional glass support
- Tested and engineered to meet and exceed code standards

INTERNAL USE:

- Base metal: zinc casting**
- Cat. No. Z810CH** Chrome
- Cat. No. Z810BN** Brushed Nickel
- Cat. No. Z810BR** Brass
- Cat. No. Z810GP** Gold
- Cat. No. Z810SC** Satin Chrome
- Cat. No. Z810W** White

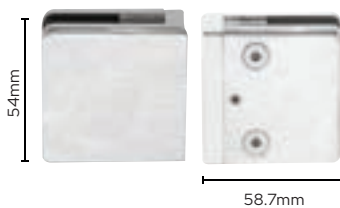


CRL Z-Series Square Type Flat Base Stainless Steel Clamp

- For 10 mm glass
- The ideal clamp for use on mezzanines, partitions, railings and windbreaks
- Steel pin included for additional glass support
- Tested and engineered to meet and exceed code standards
- 316 grade stainless steel

EXTERNAL USE:

- Base metal: stainless steel**
- Cat. No. Z910PS** Polished Stainless
- Cat. No. Z910BS** Brushed Stainless
- Cat. No. Z910MBL** Matte Black
- Cat. No. Z910PT** Painted

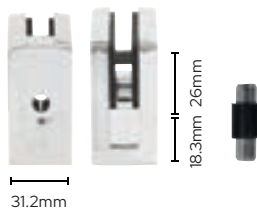


CRL Z-Series Square Type Flat Base Zinc Clamp

- For 12 mm and 13.52 mm glass
- Replacement gaskets are available by ordering Cat. No. Z12SG
- The ideal clamp for use on mezzanines, partitions, railings and windbreaks
- Steel pin included for additional glass support
- Tested and engineered to meet and exceed code standards

INTERNAL USE:

- Base metal: zinc casting**
- Cat. No. Z812CH** Chrome
- Cat. No. Z812BN** Brushed Nickel
- Cat. No. Z812BR** Brass
- Cat. No. Z812GP** Gold
- Cat. No. Z812SC** Satin Chrome
- Cat. No. Z812W** White



CRL Z-Series Square Type Flat Base Stainless Steel Clamp

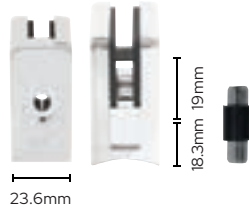
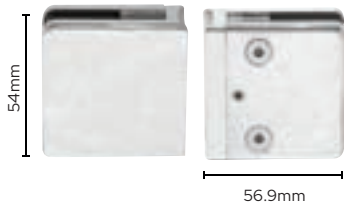
- For 12 mm and 13.52 mm glass
- Replacement gaskets are available by ordering Cat. No. Z12SG
- The ideal clamp for use on mezzanines, partitions, railings and windbreaks
- Steel pin included for additional glass support
- Tested and engineered to meet and exceed code standards
- 316 grade stainless steel

EXTERNAL USE:

- Base metal: stainless steel**
- Cat. No. Z912PS** Polished Stainless
- Cat. No. Z912BS** Brushed Stainless



CRL Glass Clamps - Square



CRL Z-Series Square Type Radius Base Zinc Clamp

- For 6 mm and 8 mm glass
- Replacement gaskets are available by ordering Cat. No. Z14RG
- The ideal clamp for use on mezzanines, partitions, railings and windbreaks
- Steel pin included for additional glass support
- Tested and engineered to meet and exceed code standards

CRL Z-Series Square Type Radius Base Stainless Steel Clamp

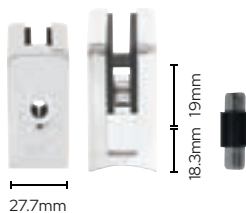
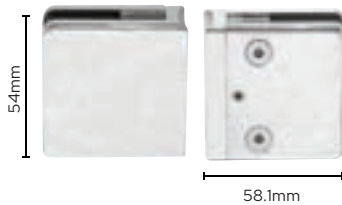
- For 6 mm and 8 mm glass
- Replacement gaskets are available by ordering Cat. No. Z14RG
- The ideal clamp for use on mezzanines, partitions, railings and windbreaks
- Steel pin included for additional glass support
- Tested and engineered to meet and exceed code standards
- 316 grade stainless steel

INTERNAL USE:

- Base metal: zinc casting**
- Cat. No. Z606CH** Chrome
- Cat. No. Z606BN** Brushed Nickel
- Cat. No. Z606BR** Brass
- Cat. No. Z606GP** Gold
- Cat. No. Z606W** White

EXTERNAL USE:

- Base metal: stainless steel**
- Cat. No. Z706PS** Polished Stainless
- Cat. No. Z706BS** Brushed Stainless



CRL Z-Series Square Type Radius Base Zinc Clamp

- For 10 mm glass
- Replacement gaskets are available by ordering Cat. No. Z38SG
- The ideal clamp for use on mezzanines, partitions, railings and windbreaks
- Steel pin included for additional glass support
- Tested and engineered to meet and exceed code standards

CRL Z-Series Square Type Radius Base Stainless Steel Clamp

- For 10 mm glass
- Replacement gaskets are available by ordering Cat. No. Z38SG
- The ideal clamp for use on mezzanines, partitions, railings and windbreaks
- Steel pin included for additional glass support
- Tested and engineered to meet and exceed code standards
- 316 grade stainless steel

INTERNAL USE:

- Base metal: zinc casting**
- Cat. No. Z610CH** Chrome
- Cat. No. Z610BN** Brushed Nickel
- Cat. No. Z610BR** Brass
- Cat. No. Z610GP** Gold
- Cat. No. Z610SC** Satin Chrome
- Cat. No. Z610W** White

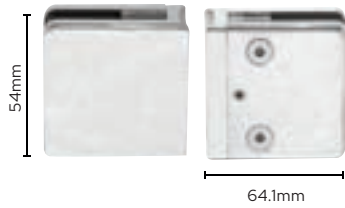
EXTERNAL USE:

- Base metal: stainless steel**
- Cat. No. Z710PS** Polished Stainless
- Cat. No. Z710BS** Brushed Stainless
- Cat. No. Z710MBL** Matte Black
- Cat. No. Z710PT** Painted



316 Grade Stainless Steel

CRL Glass Clamps - Square



CRL Z-Series Square Type Radius Base Zinc Clamp

- For 12 mm & 13.52 mm glass
- Replacement gaskets are available by ordering Cat. No. Z12SG
- The ideal clamp for use on mezzanines, partitions, railings and windbreaks
- Steel pin included for additional glass support
- Tested and engineered to meet and exceed code standards

INTERNAL USE:

Base metal: zinc casting

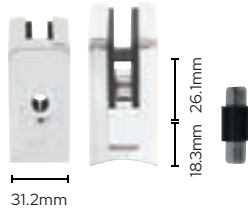
Cat. No. Z612CH Chrome

Cat. No. Z612BN Brushed Nickel

Cat. No. Z612BR Brass

Cat. No. Z612GP Gold

Cat. No. Z612W White



CRL Z-Series Square Type Radius Base Stainless Steel Clamp

- For 12 mm & 13.52 mm glass
- Replacement gaskets are available by ordering Cat. No. Z12SG
- The ideal clamp for use on mezzanines, partitions, railings and windbreaks
- Steel pin included for additional glass support
- Tested and engineered to meet and exceed code standards
- 316 grade stainless steel

EXTERNAL USE:

Base metal: stainless steel

Cat. No. Z712PS Polished Stainless

Cat. No. Z712BS Brushed Stainless



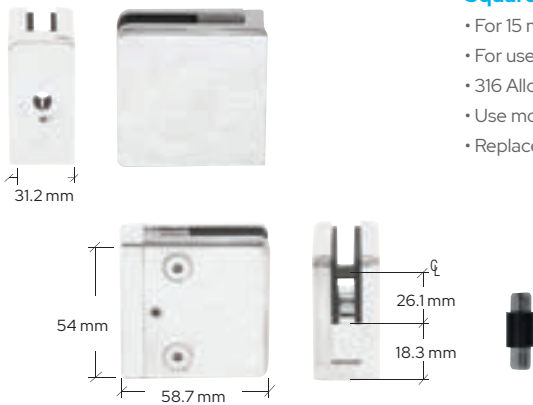
CRL Brushed Stainless Z-Series Flat Surface Mount Square Type Glass Clamps

- For 15 mm & 19 mm, 17.52 mm & 21.52 mm glass (flat surface mounting)
- For use with square tubing or other flat surfaces
- 316 Alloy stainless steel
- Use monolithic tempered glass
- Replacement gaskets are available by ordering Cat. No. Z34SG or Z58SG

Cat. No. Z934BS Brushed Stainless

Cat. No. Z934PS Polished Stainless

Cat. No. Z934MBL Matte Black

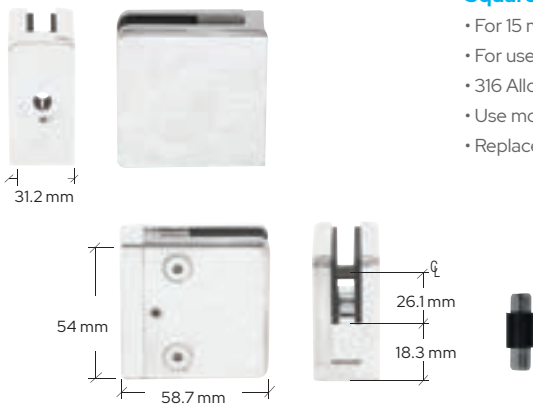


CRL Brushed Stainless Z-Series Radius Surface Mount Square Type Glass Clamps

- For 15 mm & 19 mm, 17.52 mm & 21.52 mm glass (radius surface mounting)
- For use with 50.8 mm diameter round tubing
- 316 Alloy stainless steel
- Use monolithic tempered glass
- Replacement gaskets are available by ordering Cat. no. Z34SG or Z58SG

Cat. No. Z734BS Brushed Stainless

Cat. No. Z734PS Polished Stainless





AI-Wall® Systems

Rainscreen systems for high quality facade design

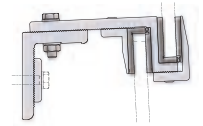
- Creates a protective, modern envelope around new and old buildings
- Plane and imbricated glass facade options
- Quick and easy to install
- No glass cut outs necessary





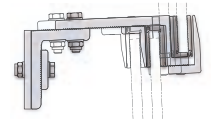
CRL AI-Wall®

- Horizontally imbricated
- No cutouts necessary
- Driving rain proof
- For use with 6 mm to 19 mm monolithic or laminated toughened glass



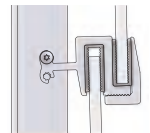
CRL AI-Wall® DS

- Horizontally and vertically imbricated
- Driving rain proof
- Parallel or laterally sloped imbrication
- For use with 6 mm to 19 mm monolithic or laminated toughened glass



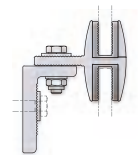
CRL AI-Wall® Light

- Horizontally imbricated
- Effortless and quick installation
- Simple substructure
- For use with 6 mm and 8 mm monolithic or laminated toughened glass



CRL AI-Wall® Flat

- For plane facades
- Safe glass installation without tools
- Minimum clearance from 8 mm
- For use with 8 mm, 10 mm, 12 mm and 16 mm monolithic or laminated toughened glass



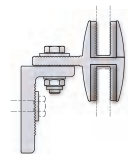
CRL AI-Wall® Flat Lors

- For plane facades
- Low structural depth
- Safe glass installation without tools
- For use with 8 mm, 10 mm, 12 mm and 16 mm monolithic or laminated toughened glass



CRL AI-Wall® Flat Verso

- For plane facades
- Easy and safe glass installation without tools from the inside
- For use with 12 mm and 16 mm monolithic and laminated toughened glass



Spider Fixings - Regular Fittings - up to 12 mm Glass



316 Grade Stainless Steel



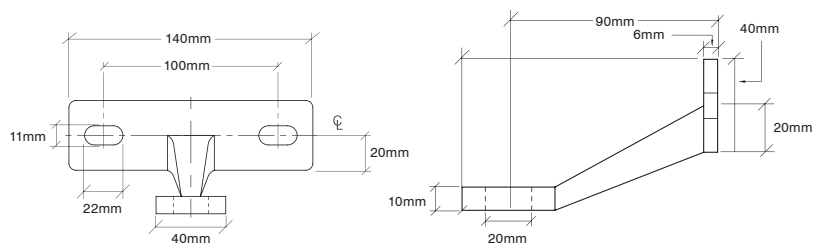
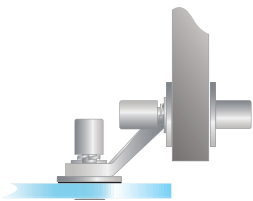
CRL Single Arm Regular Duty Wall/Fin Mount Fitting

- For use with glass up to 12 mm
- Complete with hardware to mount to wall or structural fin
- 316 stainless steel

Cat. No. FMR1BS
Brushed Stainless

Cat. No. FMR1PS
Polished Stainless

REGULAR FIN MOUNT



Glass attachments must be ordered separately



CRL Glass Clamps - Square

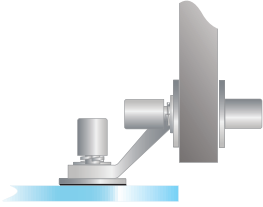


CRL Left Hand Single Arm Regular Duty Wall/Fin Mount Fitting

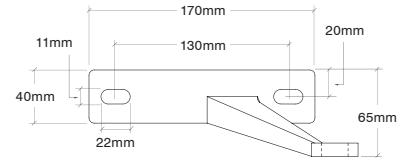
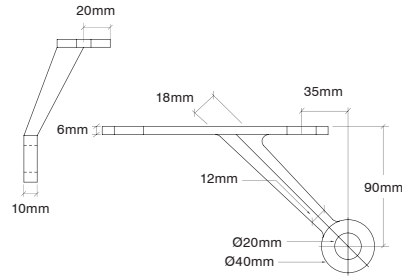
- For use with glass up to 12 mm
- Complete with hardware to mount to wall or structural fin
- 316 stainless steel

Cat. No. FMR1LHBS
Brushed Stainless

Cat. No. FMR1LHPS
Polished Stainless



REGULAR FIN MOUNT



CRL Right Hand Single Arm Regular Duty Wall/Fin Mount Fitting

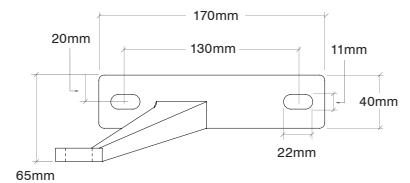
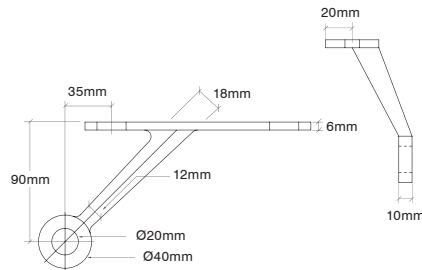
- For use with glass up to 12 mm
- Complete with hardware to mount to wall or structural fin
- 316 stainless steel

Cat. No. FMR1RHBS
Brushed Stainless

Cat. No. FMR1RHPS
Polished Stainless



REGULAR FIN MOUNT



CRL Double Arm Regular Duty Wall/Fin Mount Fitting

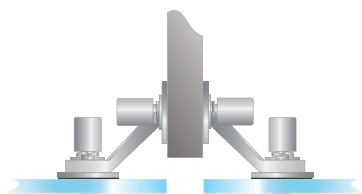
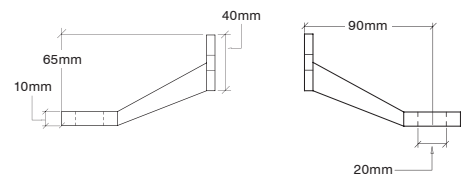
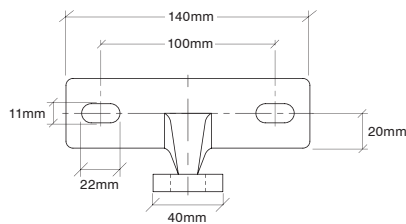
- For use with glass up to 12 mm
- Complete with hardware to mount to wall or structural fin
- 316 stainless steel

Cat. No. FMR2BS
Brushed Stainless

Cat. No. FMR2PS
Polished Stainless



REGULAR FIN MOUNT



316 Grade Stainless Steel

Spider Fixings - Regular Fittings - up to 12 mm Glass



CRL Double Arm "V" Regular Duty Wall/Fin Mount Fitting

- For use with glass up to 12 mm
- Complete with hardware to mount to wall or structural fin
- 316 stainless steel

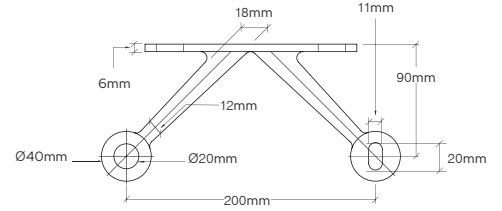
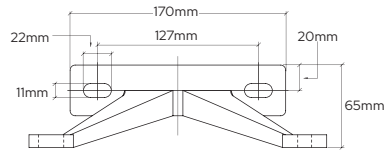
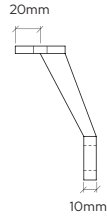
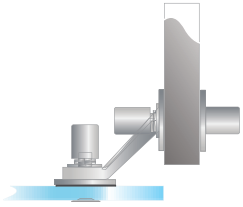
Cat. No. FMR2VBS

Brushed Stainless

Cat. No. FMR2VPS

Polished Stainless

REGULAR FIN MOUNT



CRL Four Arm "V" Regular Duty Wall/Fin Mount Fitting

- For use with glass up to 12 mm
- Complete with hardware to mount to wall or structural fin
- 316 stainless steel

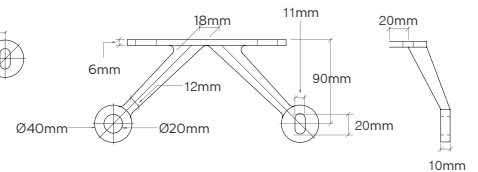
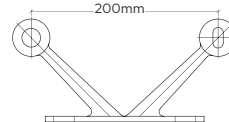
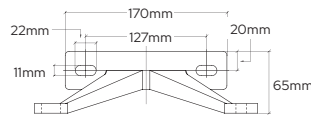
Cat. No. FMR4BS

Brushed Stainless

Cat. No. FMR4PS

Polished Stainless

REGULAR FIN MOUNT



CRL Single Arm Regular Duty Post Mount Fitting

- For use with glass up to 12 mm
- Complete with hardware to mount to post or column
- 316 stainless steel

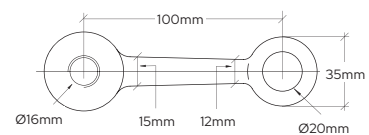
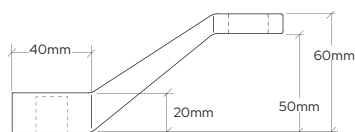
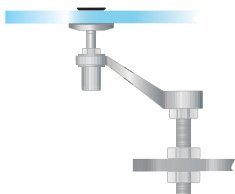
Cat. No. PMR1BS

Brushed Stainless

Cat. No. PMR1PS

Polished Stainless

REGULAR POST MOUNT



316 Grade Stainless Steel

Glass attachments must be ordered separately



Spider Fixings - Regular Fittings - up to 12 mm Glass

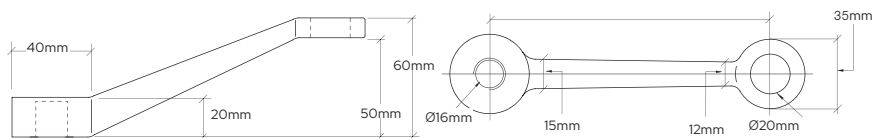
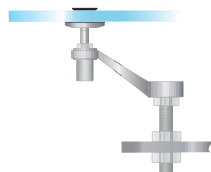


CRL Single Long Arm Regular Duty Post Mount Fitting

- For use with glass up to 12 mm
- Complete with hardware to mount to post or column
- 316 stainless steel

Cat. No. PMR1LBS
Brushed Stainless
Cat. No. PMR1LPS
Polished Stainless

REGULAR POST MOUNT

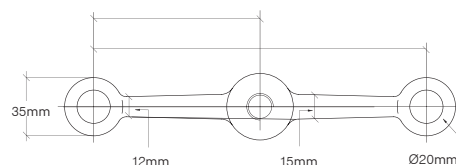
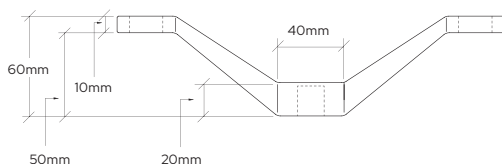
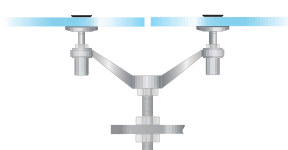


CRL Double Arm Regular Duty Post Mount Fitting

- For use with glass up to 12 mm
- Complete with hardware to mount to post or column
- 316 stainless steel

Cat. No. PMR2BS
Brushed Stainless
Cat. No. PMR2PS
Polished Stainless

REGULAR POST MOUNT

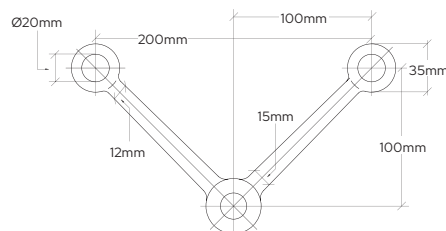
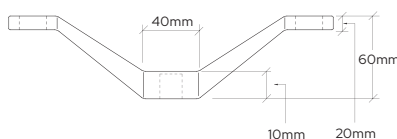
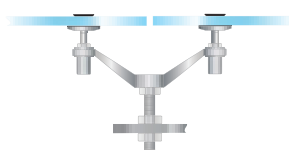


CRL Double Arm "V" Regular Duty Post Mount Fitting

- For use with glass up to 12 mm
- Complete with hardware to mount to post or column
- 316 stainless steel

Cat. No. PMR2VBS
Brushed Stainless
Cat. No. PMR2VPS
Polished Stainless

REGULAR POST MOUNT



316 Grade Stainless Steel

Spider Fixings - Regular Fittings - up to 12 mm Glass



CRL Double Arm "V" 90 Degree Regular Duty Post Mount Fitting

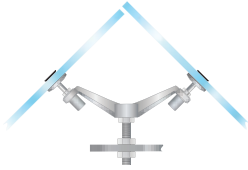
- For use with glass up to 12 mm
- Complete with hardware to mount to post or column
- 316 stainless steel

Cat. No. PMR2V90BS

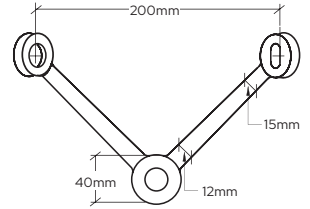
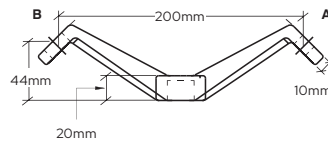
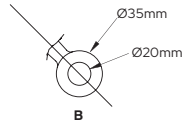
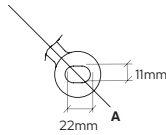
Brushed Stainless

Cat. No. PMR2V90PS

Polished Stainless



REGULAR POST MOUNT



CRL Three Arm Regular Duty Post Mount Fitting

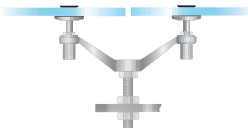
- For use with glass up to 12 mm
- Complete with hardware to mount to post or column
- 316 stainless steel

Cat. No. PMR3BS

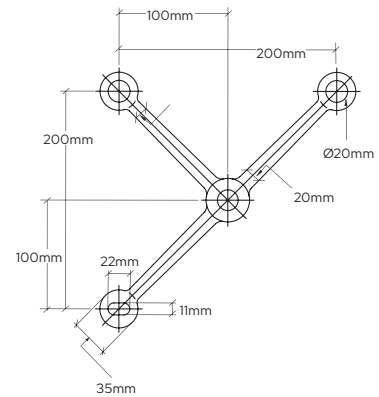
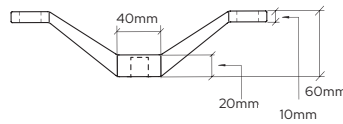
Brushed Stainless

Cat. No. PMR3PS

Polished Stainless



REGULAR POST MOUNT



CRL Four Arm Regular Duty Post Mount Fitting

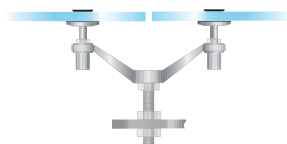
- For use with glass up to 12 mm
- Complete with hardware to mount to post or column
- 316 stainless steel

Cat. No. PMR4BS

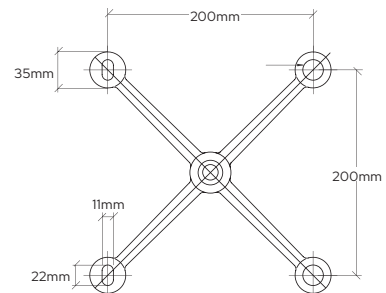
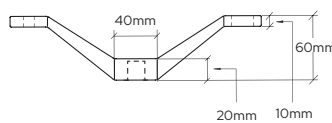
Brushed Stainless

Cat. No. PMR4PS

Polished Stainless



REGULAR POST MOUNT



316 Grade Stainless Steel

Glass attachments must be ordered separately



Spider Fixings - Regular Fittings - up to 12 mm Glass



CRL Four Arm 90 Degree Regular Duty Post Mount Fitting

- For use with glass up to 12 mm
- Complete with hardware to mount to post or column
- 316 stainless steel

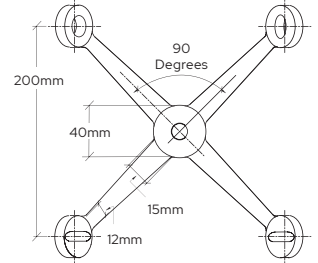
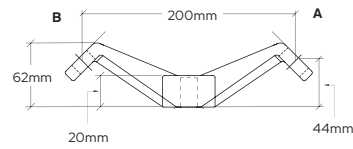
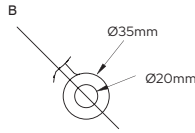
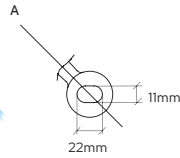
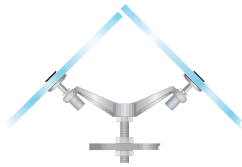
Cat. No. PMR490BS

Brushed Stainless

Cat. No. PMR490PS

Polished Stainless

REGULAR POST MOUNT



CRL Rigid Head Combination Glass Attachment

- For use with 10 mm to 12 mm tempered glass
- 316 stainless steel

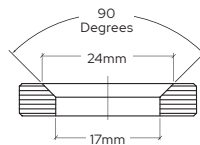
Cat. No. RRF10BS

Brushed Stainless

Cat. No. RRF10PS

Polished Stainless

REGULAR



Flush mount glass fabrication *



Cap mount glass fabrication



CRL Swivel Head Combination Glass Attachment

- For use with 10 mm to 12 mm tempered glass
- 316 stainless steel

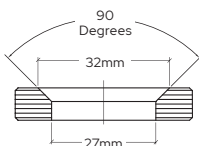
Cat. No. RSF10BS

Brushed Stainless

Cat. No. RSF10PS

Polished Stainless

REGULAR



Flush mount glass fabrication *



Cap mount glass fabrication



316 Grade Stainless Steel

Spider Fixings - Heavy Duty Fittings - up to 27 mm Glass

CRL Left Hand Single Arm Heavy-Duty Wall/Fin Mount Fitting

- For use with glass up to 27 mm
- Complete with hardware to mount to wall or structural fin
- 316 stainless steel

Cat. No. FMH1LHBS

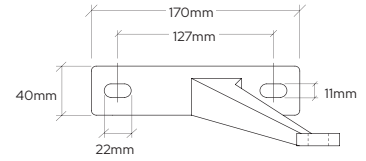
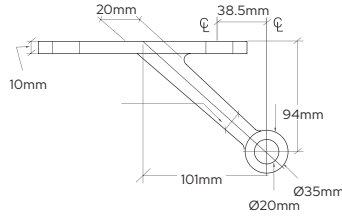
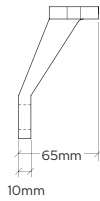
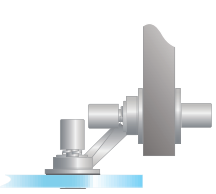
Brushed Stainless

Cat. No. FMH1LHPS

Polished Stainless



HEAVY DUTY FIN MOUNT



CRL Right Hand Single Arm Heavy-Duty Wall/Fin Mount Fitting

- For use with glass up to 27 mm
- Complete with hardware to mount to wall or structural fin
- 316 stainless steel

Cat. No. FMH1RHBS

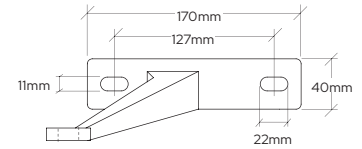
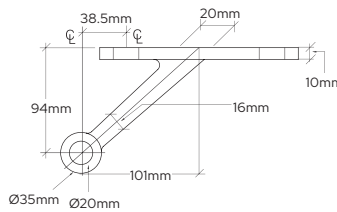
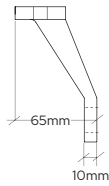
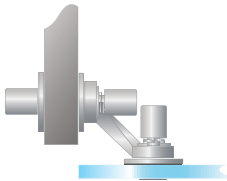
Brushed Stainless

Cat. No. FMH1RHPS

Polished Stainless



HEAVY DUTY FIN MOUNT



CRL Single Arm Heavy-Duty Wall/Fin Mount Fitting

- For use with glass up to 27 mm thick to attach a single glass panel to a wall or structural fin
- Complete with two threaded studs and two matching cap nuts with washers
- Brushed or polished stainless steel finishes
- 316 stainless steel

Cat. No. FMH1BS

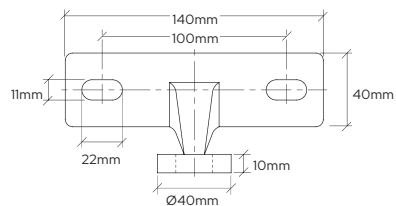
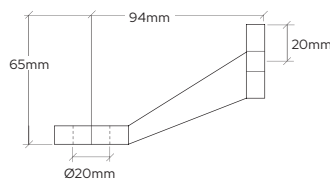
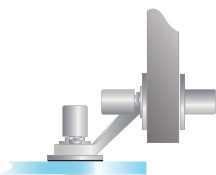
Brushed Stainless

Cat. No. FMH1PS

Polished Stainless



HEAVY DUTY FIN MOUNT



316 Grade Stainless Steel

Glass attachments must be ordered separately



Spider Fixings - Heavy Duty Fittings - up to 27 mm Glass



CRL Double Arm Heavy-Duty Wall/Fin Mount Fitting

- For use with glass up to 27 mm thick to attach two inline glass panels to a structural fin
- Complete with two threaded studs and two matching cap nuts with washers
- Brushed or polished stainless steel finishes
- 316 stainless steel

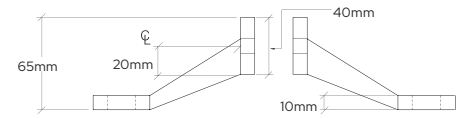
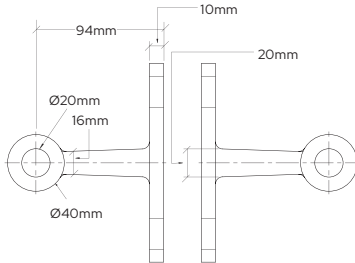
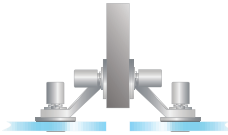
Cat. No. FMH2BS

Brushed Stainless

Cat. No. FMH2PS

Polished Stainless

HEAVY DUTY FIN MOUNT



CRL Double Arm "V" Heavy-Duty Wall/Fin Mount Fitting

- For use with glass up to 27 mm
- Complete with hardware to mount to wall or structural fin
- 316 stainless steel

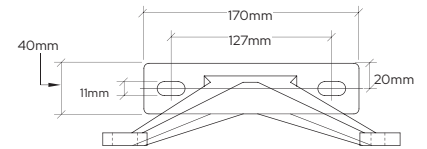
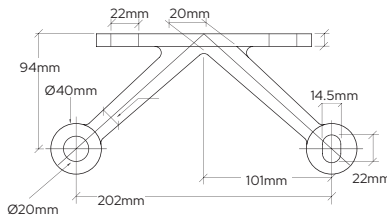
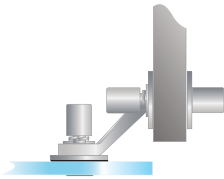
Cat. No. FMH2VBS

Brushed Stainless

Cat. No. FMH2VPS

Polished Stainless

HEAVY DUTY FIN MOUNT



CRL Four Arm "V" Heavy-Duty Wall/Fin Mount Fitting

- For use with glass up to 27 mm thick to attach two inline glass panels to a structural center fin
- Complete with two threaded studs and four matching cap nuts with washers
- Brushed or polished stainless steel finishes
- 316 stainless steel

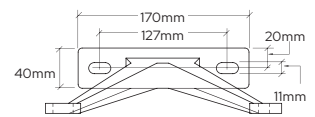
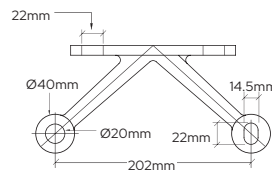
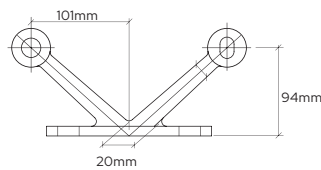
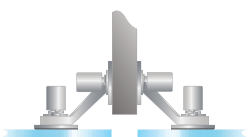
Cat. No. FMH4BS

Brushed Stainless

Cat. No. FMH4PS

Polished Stainless

HEAVY DUTY FIN MOUNT



316 Grade Stainless Steel

Spider Fixings - Heavy Duty Fittings - up to 27 mm Glass



CRL Single Arm Heavy-Duty Post Mount Fitting

- For use with glass up to 27 mm thick to attach a single glass panel to a structural end post
- Complete with hardware to mount to post or column
- Brushed or polished stainless steel finishes
- 316 stainless steel

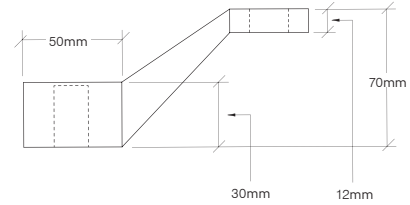
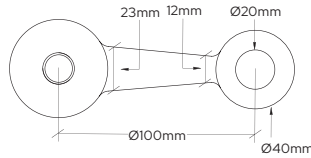
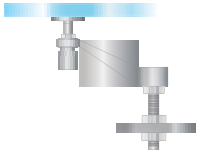
Cat. No. PMH1BS

Brushed Stainless

Cat. No. PMH1PS

Polished Stainless

HEAVY DUTY POST MOUNT



CRL Single Long Arm Heavy-Duty Post Mount Fitting

- For use with glass up to 27 mm
- Complete with hardware to mount to post or column
- 316 stainless steel

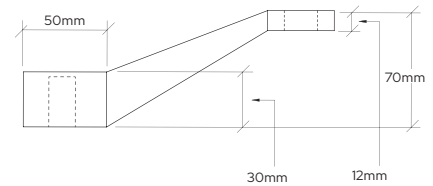
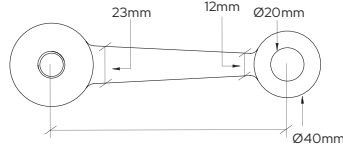
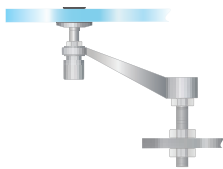
Cat. No. PMH1LBS

Brushed Stainless

Cat. No. PMH1LPS

Polished Stainless

HEAVY DUTY POST MOUNT



CRL Double Arm Heavy-Duty Post Mount Fitting

- For use with glass up to 27 mm thick to attach two inline glass panels to a structural center post
- Complete with hardware to mount to post or column
- Brushed or polished stainless steel finishes
- 316 stainless steel

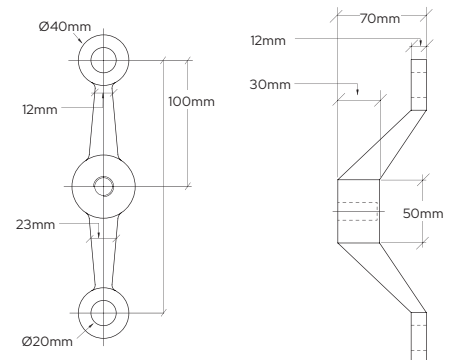
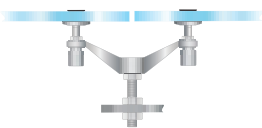
Cat. No. PMH2BS

Brushed Stainless

Cat. No. PMH2PS

Polished Stainless

HEAVY DUTY POST MOUNT



316 Grade Stainless Steel



Glass attachments must be ordered separately



Spider Fixings - Heavy Duty Fittings - up to 27 mm Glass



CRL Double Arm "V" 90 Degree Heavy-Duty Post Mount Fitting

- For use with glass up to 27 mm
- Complete with hardware to mount to post or column
- 316 stainless steel

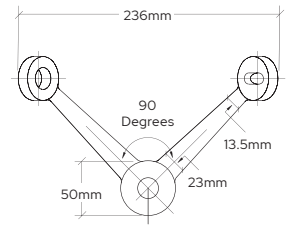
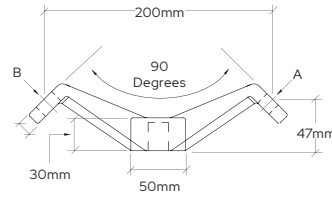
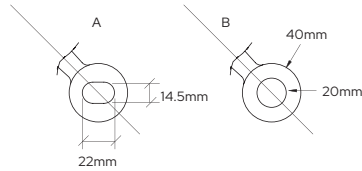
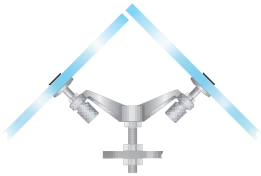
Cat. No. PMH2V90BS

Brushed Stainless

Cat. No. PMH2V90PS

Polished Stainless

HEAVY DUTY POST MOUNT



CRL Three Arm Heavy-Duty Post Mount Fitting

- For use with glass up to 27 mm
- Complete with hardware to mount to post or column
- 316 stainless steel

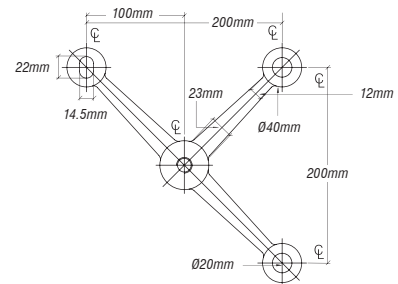
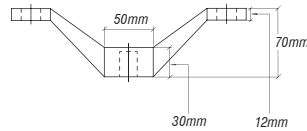
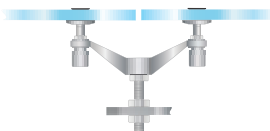
Cat. No. PMH3BS

Brushed Stainless

Cat. No. PMH3PS

Polished Stainless

HEAVY DUTY POST MOUNT



316 Grade Stainless Steel

Spider Fixings - Heavy Duty Fittings - up to 27 mm Glass



CRL Four Arm Heavy-Duty Post Mount Fitting

- For use with glass up to 27 mm thick to attach two inline glass panels to a structural center post
- Complete with hardware to mount to post or column
- Brushed or polished stainless steel finishes
- 316 stainless steel

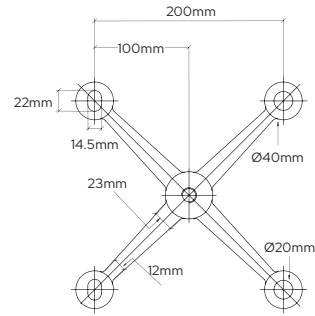
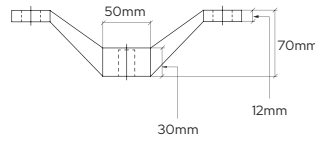
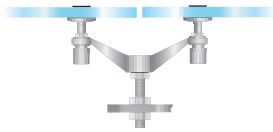
Cat. No. PMH4BS

Brushed Stainless

Cat. No. PMH4PS

Polished Stainless

HEAVY DUTY POST MOUNT



CRL 4-Way Arm 90 Degree Heavy-Duty Post Mount Fitting

- For use with glass up to 27 mm
- Complete with hardware to mount to post or column
- 316 stainless steel

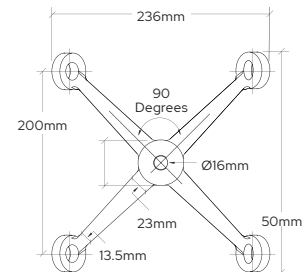
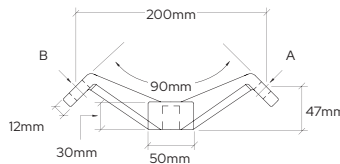
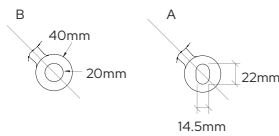
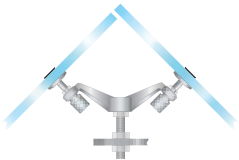
Cat. No. PMH490BS

Brushed Stainless

Cat. No. PMH490PS

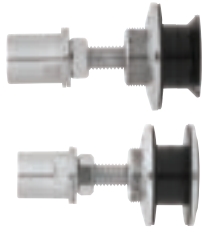
Polished Stainless

HEAVY DUTY POST MOUNT



316 Grade Stainless Steel

Spider Fixings



CRL Rigid Head Combination Glass Attachment

- One fitting for either flush or surface mount installations
- For use with 12 mm to 27 mm toughened or laminated glass
- Typically used only for interior applications
- Can be used with all Heavy-Duty Spider Fittings
- 316 stainless steel

Cat. No. HRF14BS

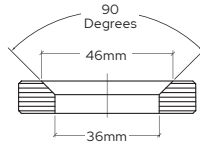
Brushed Stainless

Cat. No. HRF14PS

Polished Stainless



HEAVY DUTY



Flush mount glass fabrication *



Cap mount glass fabrication



CRL Swivel Head Combination Glass Attachment

- One fitting for either flush or surface mount installations
- Head can swivel up to 6 degrees in any direction on its ball and socket joint
- For use with 12 mm to 27 mm toughened or laminated glass
- Can be used with all Heavy-Duty Spider Fittings
- 316 stainless steel

Cat. No. HSF14BS

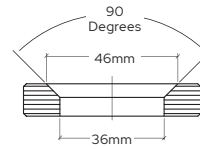
Brushed Stainless

Cat. No. HSF14PS

Polished Stainless



HEAVY DUTY



Flush mount glass fabrication *



Cap mount glass fabrication



CRL Brushed Stainless Swivel Heavy Duty Insulating Glass Fastener

- Designed for the "all glass" look
- For use with 32 mm insulated glass unit
- Tilts up to 6 degrees in any direction on its wall and socket joint. This allows for any stress applied to the glass to be more evenly distributed across the entire panel of glass rather than concentrating at the hole
- 316 stainless steel

Cat. No. HS1GF14BS

Brushed Stainless

Cat. No. HS1GF14PS

Polished Stainless



HEAVY DUTY



CRL Brushed Stainless Heavy-Duty Exterior Swivel Fastener

- Designed for the "all glass" look
- For use with 12 mm to 22 mm tempered glass
- 316 stainless steel

Cat. No. HSFEX14BS

Brushed Stainless



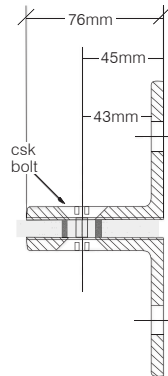
HEAVY DUTY

316 Grade Stainless Steel



CRL Fin Top/Bottom Shoe Fittings for 19 mm Glass

- Fin Top/Bottom Shoe Fittings are used to connect the glass fins to the structure of the floor or ceiling
- 316 stainless steel



Cat. No. FTF12BS
For Fin Size 305 mm
Brushed Stainless

Cat. No. FTF12PS
For Fin Size 305 mm
Polished Stainless

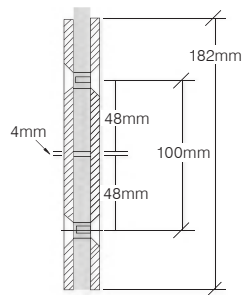
Cat. No. FTF16BS
For Fin Size 406 mm
Brushed Stainless

Cat. No. FTF24BS
For Fin Size 610 mm
Brushed Stainless



CRL Fin Splice Fittings for 19 mm Glass

- Fin Splice Fittings are used to stack multiple pieces of glass to construct extra tall fins used to stabilize the glass facade.
- 316 stainless steel



Cat. No. FSF12BS
For Fin Size 305 mm
Brushed Stainless

Cat. No. FSF16BS
For Fin Size 406 mm
Brushed Stainless



CRL Splice Fitting for Curtainwall Fin

- Use to stabilise glass facade
- For use on 19 mm tempered glass
- Made of 316 alloy stainless steel
- Tested to meet ASTM E283, E331, E330, AAMA 501

Cat. No. FSFHDBS
316 Stainless Steel



CRL 90 Degree Corner Bracket

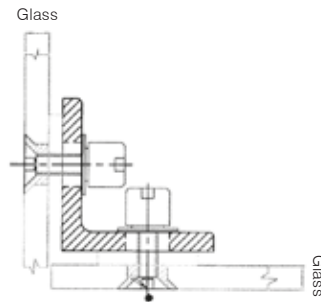
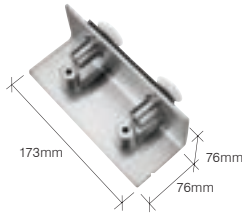
- Used to secure glass at 90 degree corners
- Supplied with four rigid countersunk glass connecting screws
- 316 stainless steel

Cat. No. CBP90BS

Brushed Stainless

Cat. No. CBP90PS

Polished Stainless



CRL 135 Degree Corner Bracket

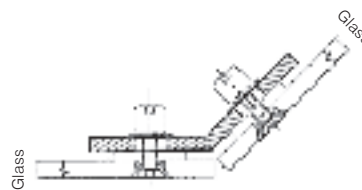
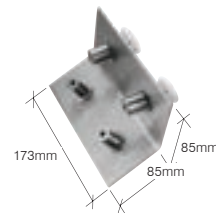
- Used to secure glass at 135 degree corners
- Supplied with four rigid countersunk glass connecting screws
- 316 stainless steel

Cat. No. CBP135BS

Brushed Stainless

Cat. No. CBP135PS

Polished Stainless



CRL 2-Way Glass/ 1-Way Wall Circular Bracket

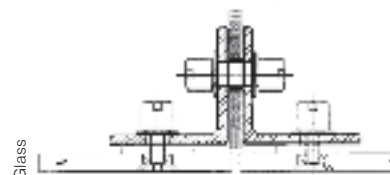
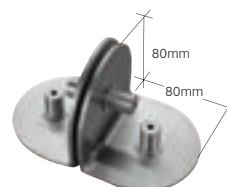
- Used to link two inline panels of glass to a fin support behind
- Used to connect one or two inline panels to a fin support or, when split apart they can be used to connect one panel to a wall
- Supplied with two rigid countersunk glass connecting screws and one fin securing bolt
- 316 stainless steel

Cat. No. CCB2BS

Brushed Stainless

Cat. No. CCB2PS

Polished Stainless

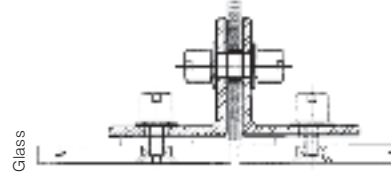
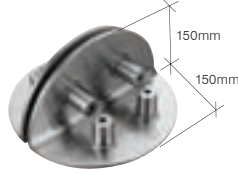




CRL 4-Way Glass/ 2-Way Wall Circular Bracket

- Used to link two or four inline panels of glass to a fin support behind
- Used to connect two or four inline panels to a fin support or, when split apart they can be used to connect one or two panels to a wall
- Supplied with four rigid countersunk glass connecting screws and two fin securing bolt
- 316 stainless steel

Cat. No. CCB4BS
Brushed Stainless

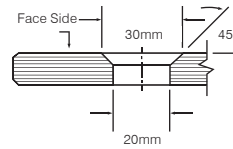
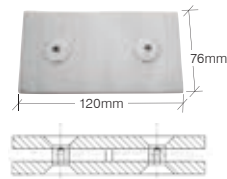


CRL Link Bracket

- Used to connect two 12 mm inline glass panels together to reduce differential deflection
- Supplied with two glass connecting screws

Cat. No. CLB1BS
Brushed Stainless

Cat. No. CLB1PS
Polished Stainless



CRL Stainless Steel Sex Bolt

- Countersunk head
- For use with Cat. No. FTF12, FTF16, FTF20, FTF24, FSF12, FSF16, FSF20, FSF24 and CLB1 Fittings and Brackets.
- Sold per package which contains 10 sets

Cat. No. M8SBSS
Brushed Stainless



CRL Universal Spanner Wrench Kit

- Adjustable universal wrench
- Includes metric and fractional spanner pin sets
- Fits CRL brand Laguna Series brackets and spider fittings to glass
- Quick and efficient method of attaching or loosening spanners

Cat. No. USW10

Online Ordering



The easiest way to shop at CR Laurence

At crlaurence.co.uk you have 24/7 access to thousands of quality products all just a few clicks away.

With instant access to pricing, stock availability and account information, ordering from CR Laurence has never been easier.

Our home page is regularly updated with the latest offers and newest products so you have the most up to date information at your fingertips.

It's easy to sign up for access to crlaurence.co.uk but if you do need any assistance please call CRL Customer Services on 00 800 0421 6144.



Search our product database



Check pricing



Check stock availability

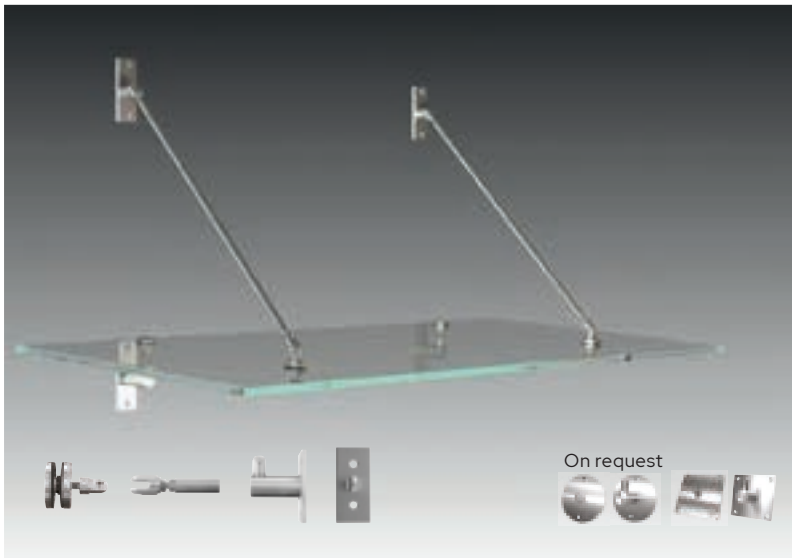


Order 24/7 at crlaurence.co.uk

CRL Glass Awning Support System



CRL Glass Awning Support System

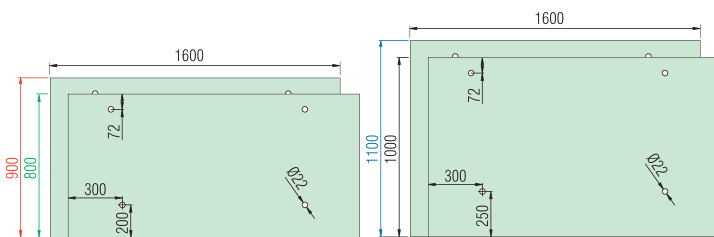


CRL Glass Awning Support System

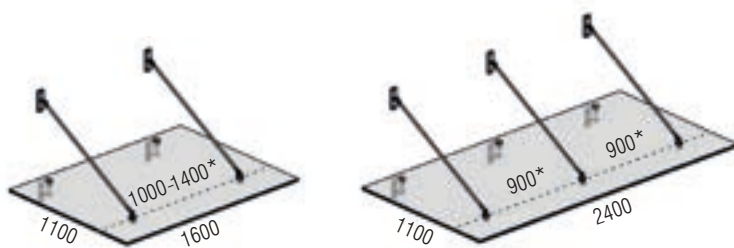
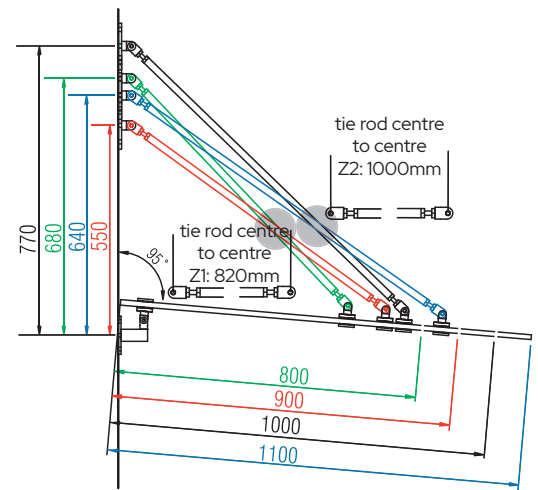
- AbZ Certified
- Sold as set
- AISI 304 Grade Stainless Steel
- Brushed Stainless Steel finish
- Corrosion protection class 2, DIN EN 10088
- Glass thickness range 17.52 mm to 21.52 mm
- Material Grade 316 Stainless Steel available on request

Set consisting of:

- 4 point fittings Ø 45 mm with mounting link
- 2 upper fastening plates
- 2 lower fastening plates
- 2 tie rods with yoke
- without glass



Glass: laminated safety glass consisting of heat strengthened glass with quadruple foil 8/1.52/8mm or 10/1.52/10mm



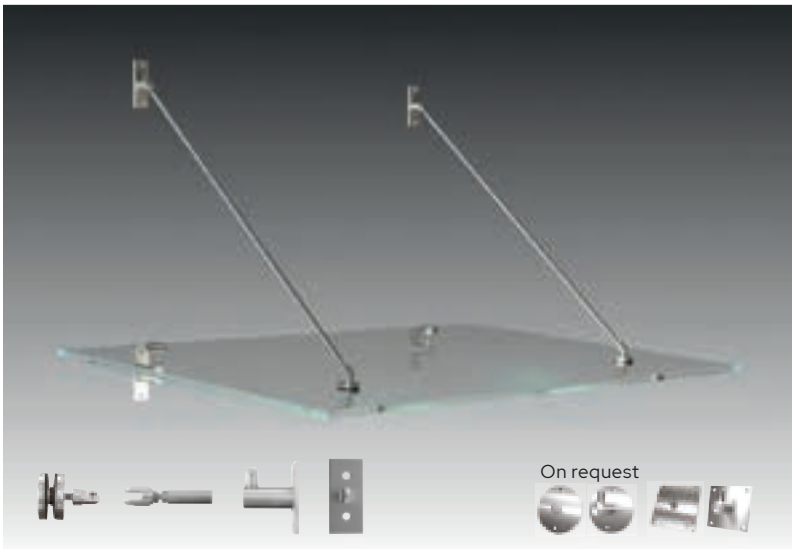
* max. tie rod distance

Please order for 3ea rod additional CAT.NO. EUGAS9001BS / EUGAS11001BS.

Tie rods	Fittings	Glass thickness	Max. design load
2	4	2 x 8mm	2.16 kN/m ²
2	4	2 x 10mm	3.43 kN/m ²
3	6	2 x 8mm	1.84 kN/m ²
3	6	2 x 10mm	2.95 kN/m ²

CAT. NO.	FASTENING PLATES	DESCRIPTION	OVERHANG	TIE ROD	CANOPY SLOPE
EUGAS900BS	Rectangular	CRL Awning Kit for 900mm	800 - 900mm	Z1 (820mm)	max. 10°
EUGAS1100BS	Rectangular	CRL Awning Kit for 1100mm	1000 - 1100mm	Z2 (1000mm)	max. 10°
EUGAS9001BS	Rectangular	CRL Awning Half Kit for 900mm	800 - 900mm	Z1 (820mm)	max. 10°
EUGAS11001BS	Rectangular	CRL Awning Half Kit for 1100mm	1000 - 1100mm	Z2 (1000mm)	max. 10°

CRL Awning Kit for 1300 mm Projection Glass Canopy

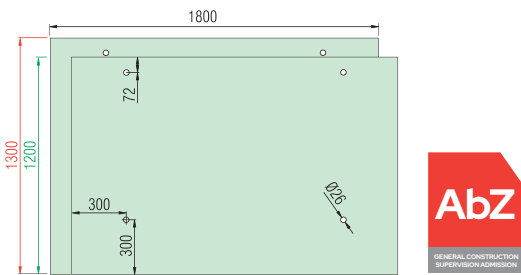
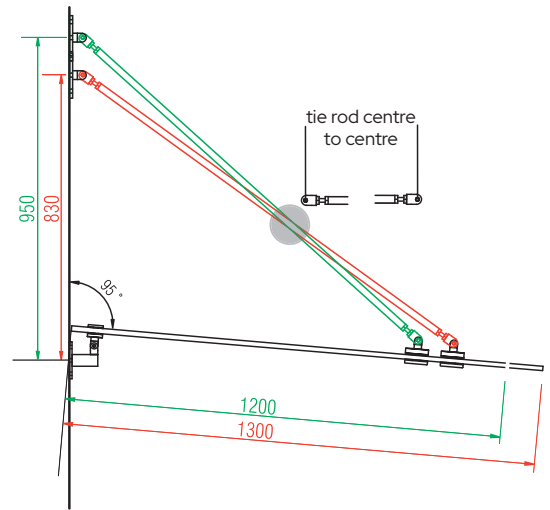


CRL Glass Awning Support System

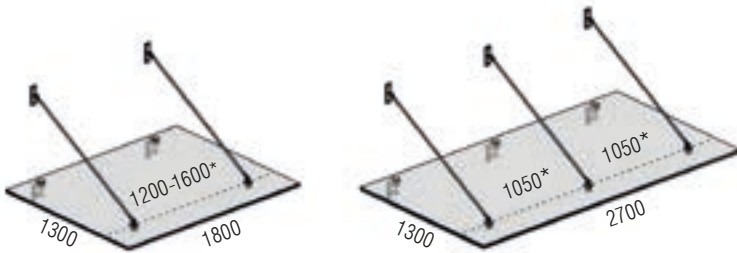
- AbZ Certified
- Sold as set
- AISI 304 Grade Stainless Steel
- Brushed Stainless Steel finish
- Corrosion protection class 2, DIN EN 10088
- Glass thickness range 21.52 mm to 25.52 mm
- Material Grade 316 Stainless Steel available on request

Set consisting of:

- 4 point fittings Ø 60 mm with mounting link
- 2 upper fastening plates
- 2 lower fastening plates
- 2 tie rods with yoke
- Without glass



Glass: laminated safety glass consisting of heat strengthened glass with quadruple foil 10/1.52/10mm or 12/1.52/12mm



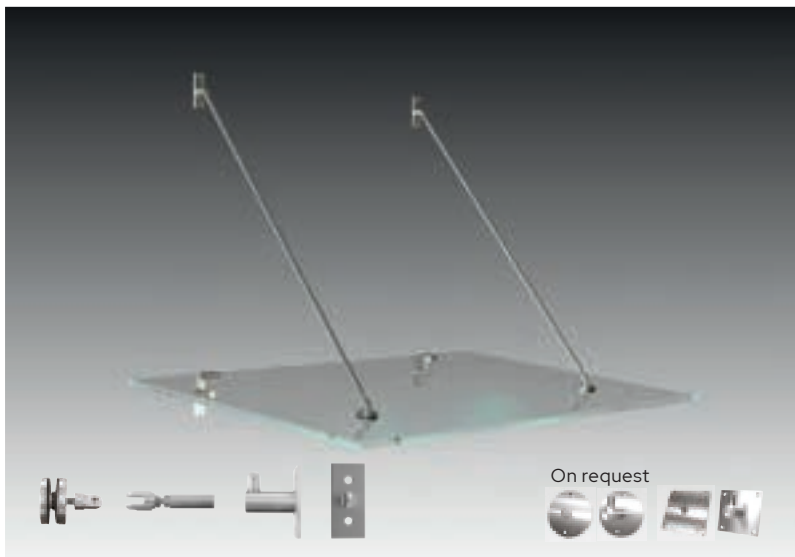
* max. tie rod distance

Please order for 3ea rod additional CAT.NO. EUGAS13001BS.

Tie rods	Fittings	Glass thickness	Max. design load
2	4	2 x 10mm	3.01 kN/m ²
2	4	2 x 12mm	4.43 kN/m ²
3	6	2 x 10mm	2.55 kN/m ²
3	6	2 x 12mm	3.89 kN/m ²

CAT. NO.	FASTENING PLATES	DESCRIPTION	OVERHANG	TIE ROD	CANOPY SLOPE
EUGAS1300BS	Rectangular	CRL Awning Kit for 1300mm	1200 - 1300mm	Z3 (1250mm)	max. 10°
EUGAS13001BS	Rectangular	CRL Awning Half Kit for 1300mm	1200 - 1300mm	Z3 (1250mm)	max. 10°

CRL Awning Kit for 1600/2000 mm Projection Glass Canopy

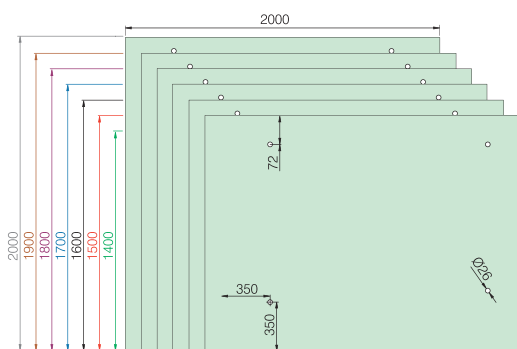


CRL Glass Awning Support System

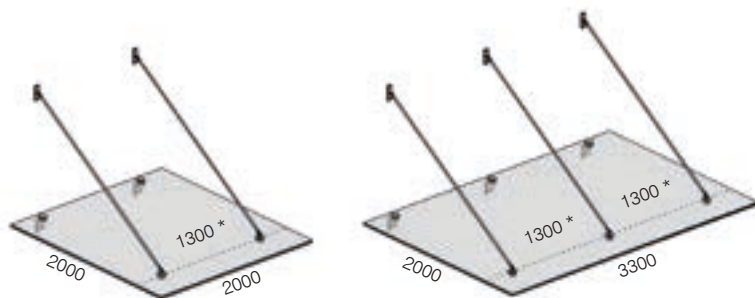
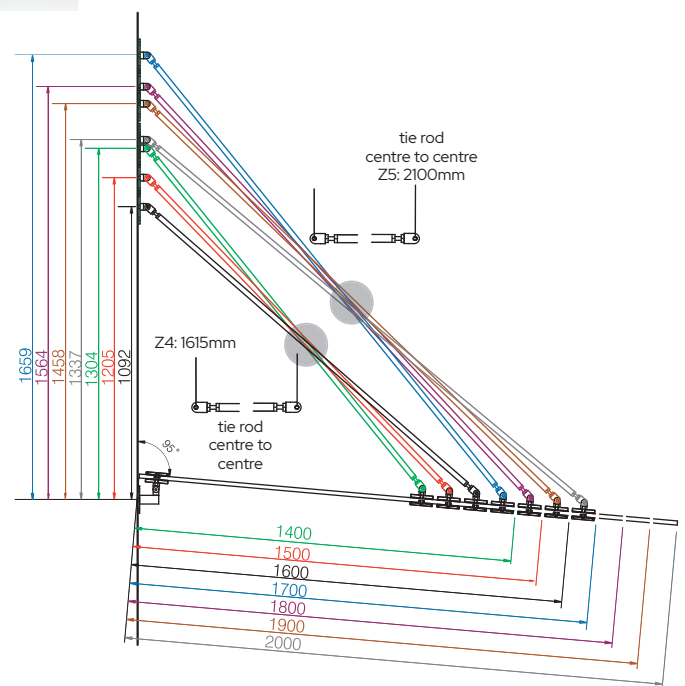
- AbZ Certified
- Sold as set
- AISI 304 Grade Stainless Steel
- Brushed Stainless Steel finish
- Corrosion protection class 2, DIN EN 10088
- Glass thickness range 21.52 mm to 25.52 mm
- Material Grade 316 Stainless Steel available on request

Set consisting of:

- 4 point fittings Ø 80 mm with mounting link
- 2 upper fastening plates
- 2 lower fastening plates
- 2 tie rods with yoke
- Without glass



Glass: laminated safety glass consisting of heat strengthened glass with quadruple foil 10/1.52/10mm or 12/1.52/12mm



* max. tie rod distance

Please order for 3ea rod additional CAT.NO. EUGAS16001BS / EUGAS20001BS.

Tie rods	Fittings	Glass thickness	Max. design load
2	4	2 x 10mm	2,07 kN/m ²
2	4	2 x 12mm	3,09 kN/m ²
3	6	2 x 10mm	1,27 kN/m ²
3	6	2 x 12mm	1,83 kN/m ²

CAT. NO.	FASTENING PLATES	DESCRIPTION	OVERHANG	TIE ROD	CANOPY SLOPE
EUGAS1600BS	Rectangular	CRL Awning Kit for 1600mm	1400 - 1600mm	Z4 (1615mm)	max. 10°
EUGAS2000BS	Rectangular	CRL Awning Kit for 2000mm	1700 - 2000mm	Z5 (2100mm)	max. 10°
EUGAS16001BS	Rectangular	CRL Awning Half Kit for 1600mm	1400 - 1600mm	Z4 (1615mm)	max. 10°
EUGAS20001BS	Rectangular	CRL Awning Half Kit for 2000mm	1700 - 2000mm	Z5 (2100mm)	max. 10°

CRL Glass Awning Support System



Offer protection from the weather without obstructing the view

The CRL Glass Awning Support System will give any entrance an uncomplicated, graceful look, enhancing the design of any building.

With the use of toughened laminated glass you can add a range of glass colours, textures, and special effects not available with typical monolithic glass. This complements and enhances the design of any building.

The use of eye and fork connections makes the installation of our Awning System quick and easy. The Connecting Rods are designed to make field adjustments on varying job conditions a snap. All components are 316 alloy stainless steel for durability in even the harshest of environments.

- High grade 316 stainless steel for durability in even the harshest of environments
- Complete hardware system for 13.52 mm toughened laminated glass awnings
- Provides protection from the weather without obstructing the view
- Adjustable slope for most weather conditions
- All high grade 316 alloy stainless steel components for panel sizes up to 1219 mm wide and 1829 mm long with two rods and mounting kits
- Easy installation

System Components

Stainless Steel Mounts (A and B) and Pivots (C) are contained in the GAS190BS Mounting Kit. Order Connecting Rods (D) to suit panel width and application conditions. These are contained in GAS137BS, GAS145BS and GAS154BS.

NOTE: Glass panel not included.



Specifications

Material: All 316 alloy stainless steel construction.

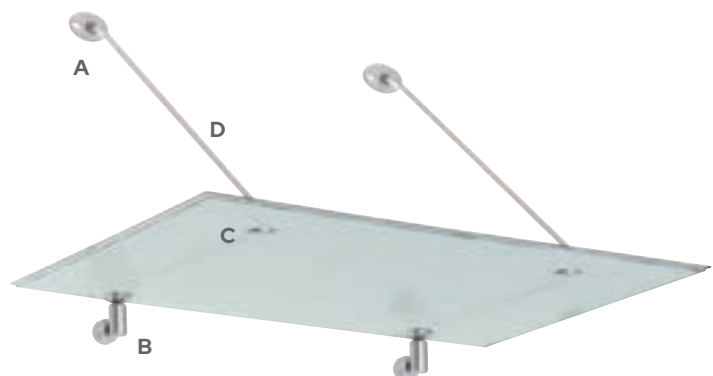
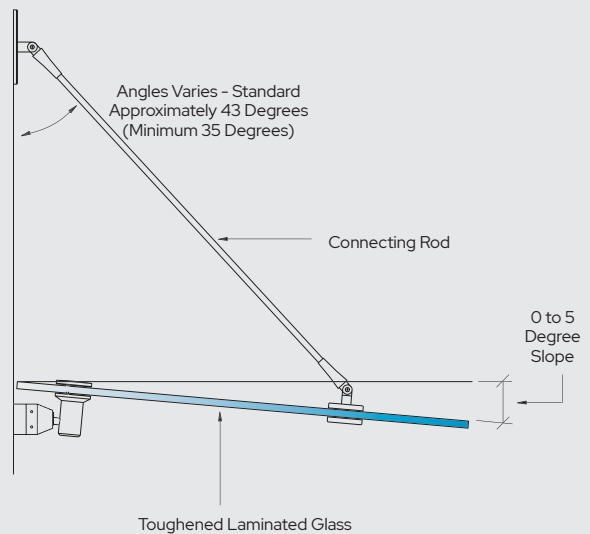
Typical Panel: 13.52 mm thick toughened laminated glass comprised of 6mm toughened glass, 1.52 mm interlayer, and 6 mm toughened glass.

Glass Fabrication Required:

Two 16 mm and two 27 mm diameter holes per panel.

Ordering Tip: Though sold individually, two Connecting Rods and two Mounting Kits are required for each panel.

See crlaurence.co.uk for glass fabrication details



316 Grade Stainless Steel

CRL Langle Mounting Kit



CRL Langle mounting kit

- Oval top mounting bracket and pivot for edge of glass furthest from building are connected by one of three available rod lengths.
- Bottom Mount and Pivot are connected to each other to support edge of glass nearest the building.
- High grade 316 stainless steel for durability in even the harshest of environments
- Complete hardware system for 13.52 mm toughened laminated glass awnings
- Provides protection from the weather without obstructing the view
- Adjustable slope for most weather conditions
- All high grade 316 alloy stainless steel components for panel sizes up to 1219 mm wide and 1829 mm long with two rods and mounting kits
- Easy installation allows an economical and elegant solution for both commercial and residential applications

Cat. No. GAS190BS

CRL Connecting Rods

- CRL Langle glass awning system connecting rod for panels

Cat. No. GAS137BS

CRL Langle 940 mm glass awning system connecting rod for 914 mm wide panels

Cat. No. GAS145BS

CRL Langle 1143 mm glass awning system connecting rod for 1067 mm wide panels

Cat. No. GAS154BS

CRL Langle 1372 mm glass awning system connecting rod for 1219 mm wide panels



940mm (±16mm)



1143mm (±16mm)



1371mm (±16mm)

CRL Double Plate Glass Awning Pivot

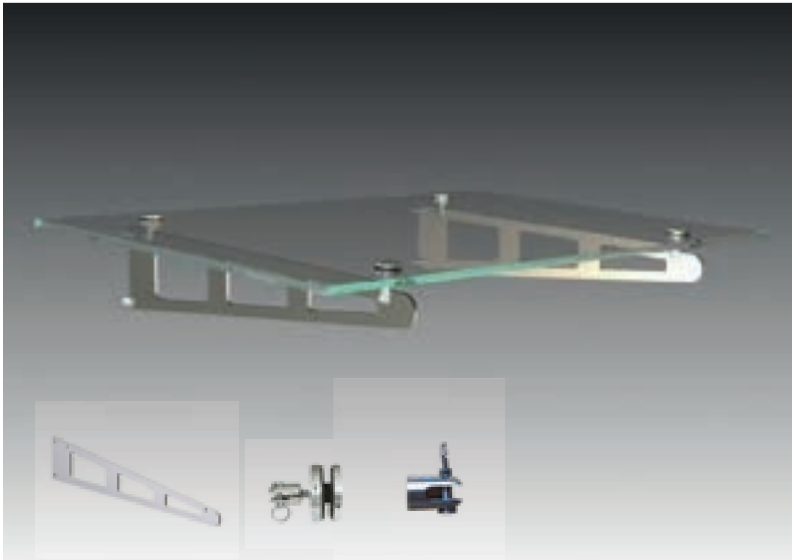
Cat. No. GAS122BS

This CRL Double Plate Glass Awning Pivot is for use with our Glass Awning System Support Rods. The Pivot allows for two awning panels to be attached in-line using only one Tension Rod at the connection point instead of two.

- Fabricated from 316 alloy stainless steel
- Available in brushed or polished stainless
- Complete hardware system for 13.52 mm toughened laminated glass awnings
- Provides protection from the weather without obstructing the view
- Adjustable slope for most weather conditions
- All high grade 316 alloy stainless steel components for panel sizes up to 1219 mm wide and 1829 mm long with two rods and mounting kits
- Easy installation allows an economical and elegant solution for both commercial and residential applications



CRL Awning Brackets for Glass Canopy

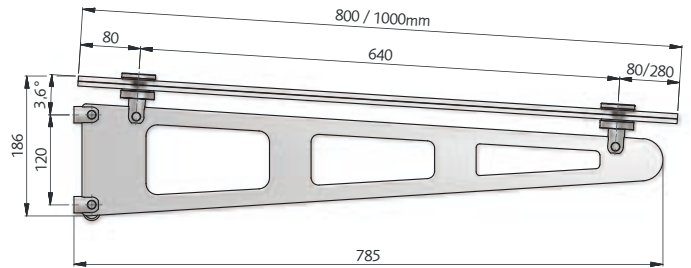
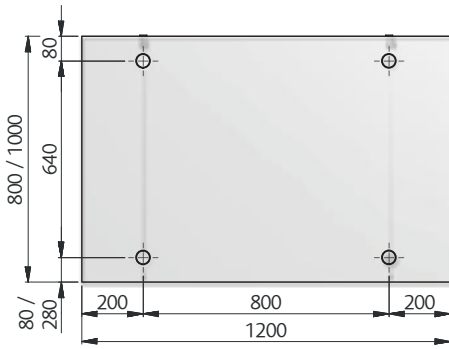


CRL Awning Bracket Set for Glass Canopy

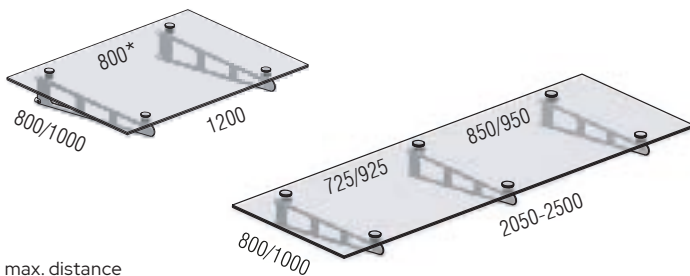
- Proven static available
- Corrosion protection class 2, DIN EN 10088
- Glass thickness range 13.52 mm to 17.52 mm

Set consisting of:

- 2 blades
- 4 point fittings Ø 60 mm with yoke
- Without glass



Glass: laminated safety glass consisting of heat strengthened glass with quadruple foil 6/1.52/6 mm or 8/1.52/8 mm



* max. distance

Blades	Overhang	Glass thickness	CRL Awning Brackets for 774mm
2	800	2 x 6mm	1.98 kN/m ²
2	800	2 x 8mm	4.14 kN/m ²
2	1000	2 x 6mm	1.34 kN/m ²
2	1000	2 x 8mm	2.70 kN/m ²
3	800 x 2300	2 x 6mm	1.50 kN/m ² (850)
3	800 x 2500	2 x 8mm	2.00 kN/m ² (950)
3	1000 x 2050	2 x 6mm	1.50 kN/m ² (725)
3	1000 x 2450	2 x 8mm	1.50 kN/m ² (925)

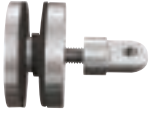




** max. charact. load

CAT. NO.	DESCRIPTION	OVERHANG	BLADE	OVERHANG	CANOPY SLOPE	MATERIAL
EUGAB1000BS	CRL Awning Brackets for Glass Canopy - Set	Ø 60mm	785mm	800-1000mm	max. 3.6°	304 grade Stainless Steel
EUGAB10001BS	CRL Awning Brackets for Glass Canopy - Single Arm	Ø 60mm	785mm	800-1000mm	max. 3.6°	304 grade Stainless Steel
EUGAB1000BS6	CRL Awning Brackets for Glass Canopy - Set	Ø 60mm	785mm	800-1000mm	max. 3.6°	316 Grade Stainless Steel
EUGAB10001BS6	CRL Awning Bracket for Glass Canopy - Single Arm	Ø 60mm	785mm	800-1000mm	max. 3.6°	316 Grade Stainless Steel

CRL Awning Single Components



You may also need...

	CAT. NO.	OPTION	DESCRIPTION
	EUGAS45PF	Ø 45mm	Point fitting with link
	EUGAS60PF	Ø 60mm	
	EUGAS80PF	Ø 80mm	
	EUGAS820ROD	Z1 820mm (Small)	Tie rod with yoke
	EUGAS1000ROD	Z2 1000mm (Small)	
	EUGAS1250ROD	Z3 1250mm (Medium)	
	EUGAS1615ROD	Z4 1615mm (Large)	
	EUGAS2100ROD	Z5 2100mm (Large)	
	EUGASU	Rectangular	Upper fastening plate
	EUGASL	Rectangular	Lower fastening plate
	EUGASRDU	Round	Upper fastening plate
	EUGASRDL	Round	Lower fastening plate
	EUGASSQU	Square	Upper fastening plate
	EUGASSQL	Square	Lower fastening plate
	EUGASWRENCH45	Ø 45 - 60mm	Hook wrench for point fittings
	EUGASWRENCH80	Ø 80mm	

CRL Glass Awning Wall Mounted Brackets



Glass Awning Support System

These universal wall mounted glass awning brackets have really become popular, not just for their looks but also their versatility.

- Used on flat or curved top segmented glass
- Fabricated from 304 alloy stainless steel
- Available in brushed or polished stainless
- Custom angles or 45 degree corner brackets are available on special order
- Requires 13.52 mm thick toughened laminated glass



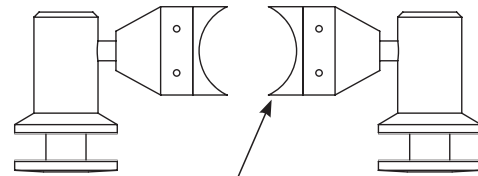
CRL Glass Awning Wall Mounted Brackets

CRL Double Arm Fixed Fitting Set

- Fabricated from 316 alloy stainless steel
- Available in brushed or polished stainless

Cat. No. RB50FBS
Brushed Stainless

Cat. No. RB50FPS
Polished Stainless



Fixed Fitting

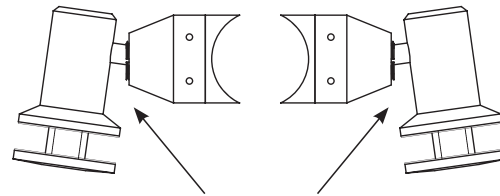
Designed for mounting to 38mm schedule 40 post, column, or flat wall.

CRL Double Arm Swivel Fitting Set

- Fabricated from 316 alloy stainless steel
- Available in brushed or polished stainless

Cat. No. RB50SBS
Brushed Stainless

Cat. No. RB50SPS
Polished Stainless



Swivel Fitting

Designed for segment applications. Each Swivel Fitting is adjustable up to 8 degrees.

Cleaning and Surface Protection

Benefits of 6K



2 stage process



Non irritant



UV stable for long life



Large coverage



Abrasion resistant



Hydrophobic protection



Permanent bond



STAGE ONE
PRE-CLEAN

CRL 6K Hydrophobic Surface Protection System for Glass and Stainless Steel

- Stage one - Pre-clean
- Non-irritant
- UV stable for long life
- Abrasion resistant
- Hydrophobic protection
- Recommended for use with Pre-Clean Cloth (red)

Cat. No. PC6010 100 ml
Cat. No. PC6025 250 ml
Cat. No. PC6050 500 ml
Cat. No. PC6100 1 Litre



STAGE TWO
PROTECT

CRL 6K Hydrophobic Surface Protection System for Glass and Stainless Steel

- Stage two - Protect
- Non-irritant
- UV stable for long life
- Abrasion resistant
- Hydrophobic protection
- Recommended for use with Protect Cloth (blue)

Cat. No. 6K6010 100 ml
Cat. No. 6K6025 250 ml
Cat. No. 6K6050 500 ml
Cat. No. 6K6100 1 Litre



CRL Pre-Clean Cloth for the 6K Hydrophobic Surface Protection System

- To be used with CRL6K Pre-clean products

Cat. No. PCCLOTH
Red - Pre clean



CRL Protect Cloth for the 6K Hydrophobic Surface Protection System

- To be used with CRL6K Protect products

Cat. No. 6KCLOTH
Blue - Protect



CRL 6K Aftercare Glass Cleaner

- Non-silicone based glass cleaner
- Leaves glass clear and smear-free
- Ideal for shower screens

Cat. No. AC6050
500 ml

Cleaning and Surface Protection



CRL Cleaner and Degreaser

- Contains no ozone depleting chemicals
- Evaporates quickly
- Cleans surfaces for UV adhesives
- Removes all traces of grease and oils and leaves no residue
- Big 660 ml cans

Cat. No. EUCRL7528



CRL Refresh - Stainless Steel Refresher/Cleaner

- Semi-permanent anti-finger print effect and stain elimination
- Removes grease and finger prints
- Coats the surface to help conceal against further every day marking
- Can be used as a cleaner (for pre-cleaning) and coating (for overlaying stains)
- For structured or brushed stainless steel

Cat. No. CRLSSR010

100 ml

Cat. No. CRLSSR025

250 ml



CRL Stainless Steel Cleaner

- Cleans and polishes stainless steel
- Food Safe – Ideal for use in food preparation areas
- Excellent for restoring shine to railings, shop cabinets, lift doors and stainless steel equipment
- Helps retain surface gloss
- Ideal for plastic and chrome surfaces

Cat. No. CRLSSC600

600 ml



CRL Glass and Mirror Cleaner

- A long time favourite of the glass industry
- Pleasant aroma
- 12 cans per case
- May be purchased with your label on can (Cat. No. 1702L).
- Non-smear fast acting
- Spray on wipe off brilliant finish

Cat. No. EB1701

660 ml can

Cat. No. EB1701T

1 litre spray bottle



CRL Lint Free Glass Wipes

- Strong, four-ply white paper wipes are virtually lint-free
- Reinforced nylon scrim in both directions so they work great wet or dry
- Six of these pop-up boxes are in each case of 1550
- Convenient pop-up dispenser box

Cat. No. BX15

1 Box

Cat. No. 1550

6 Boxes



CRL Neutral Cure Low Modulus Silicone - High Grade 100% Silicone Formula

- Low odour, neutral cure formula
- Compatible with insulating glass glazing
- Excellent adhesion to most surfaces
- Low modulus
- High quality formula - low shrinkage
- 300 ml cartridge
- 12 per case

- Cat. No. EURTV408C**
Clear
- Cat. No. EURTV408W**
White
- Cat. No. EURTV408BL**
Black
- Cat. No. EURTV408G**
Grey
- Cat. No. EURTV408A**
Anthracite



CRL EG310ULTRA Complete Adhesive

- MS polymer based
 - Super-fast bonding of mirrors, glass, wood, composite panels, and metal, to a range of substrates
 - Neutral curing and odourless
 - Cures with atmospheric moisture
 - Free of silicone and isocyanides
 - 1cm² has a 20 kg holding capacity
 - 290 ml cartridge
- Please refer to instruction guidelines, see crlaurence.co.uk

Cat. No. EG310ULTRA
White Colour



CRL Standard Smooth Rod Caulking Gun

- Thumb pressure release button
- Perfect for low viscosity materials

Cat. No. ER3



CRL Sealant Finishing Tool

- Lightweight and flexible, simplifies tooling of sealants
- Titanium catalyst material will not stick to silicone or other sealants
- 83 mm x 89 mm x 5 mm

Cat. No. 55BSS



CRL Kwixset® Expanding Cement

- Suitable for exterior and interior applications
- Great for setting core mount stanchions for vertical posts
- Fast setting, will not shrink or crack when used as directed
- CRL recommends consulting with the glass fabricator prior to wet setting laminated tempered glass
- Easy to install

Cat. No. KWX25
11.3 kg

Cat. No. KWX50
22.7 kg



CRL Chemical Anchor System

- The strongest way to fit standoffs
- Odour free
- Sets harder than concrete
- Suitable for all substrates

Cat. No. EUCA300
Resin

Cat. No. EUCANOZZLE
Nozzle

Cat. No. EUCAPUMP
Pump

Cat. No. EUCASLEEVE
Sleeve

CRL Accessories



Best seller

CRL S338 Sure-Grip 203 mm Vacuum Lifter

Cat. No. S338

- Greatest lifting capacity of any 203 mm pump activated vacuum lifter
- One hand pump and attachment for safety when needed
- Superior "press and pump" attachment feature
- Red-line indicator warns user of any vacuum loss
- Built-in vacuum loss indicator
- Soft contoured sure-grip handle for comfort
- Sturdy moulded carrying case
- Superior 68 kg lifting capacity



CRL Wood's Powr-Grip® 203 mm ABS Handle Vacuum Cup

Cat. No. N4000

- 203 mm diameter pad
- Check valve allows re-pumping without loss of remaining vacuum
- Release valve lever permits quick and complete release
- Red-line indicator warns user of any vacuum loss
- 57 kg lifting capacity



CRL Wood's Powr-Grip® 203 mm Vacuum Cup

Cat. No. N4950

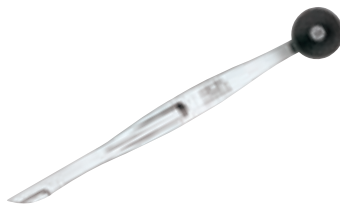
- 203 mm diameter pad
- Check valve allows re-pumping without loss of remaining vacuum
- Release valve lever permits quick, complete release
- Red-line indicator warns user of any vacuum loss
- 57 kg lifting capacity
- Metal handle



CRL Aluminium Double Pad Vacuum Lifter

Cat. No. 05062

- 114 mm diameter pads
- Sturdily built traditional design aluminium frame
- Each suction pad operates separately
- 60 kg lifting capacity



CRL Standard Vinyl Roller Tool

Cat. No. VR04
279 mm

- Ideal for inserting all types of flat spline and roll-in gaskets
- Made from solid aluminium with a hard coat anodised finish
- Knurl diamond grip and a ball bearing wheel

Cat. No. VR17
432 mm



CRL Glasstrax Glass Dolly

Cat. No. GT02

- Self clamping action locks loads up to 50.8 mm thick
- One person can load and manoeuvre
- Safe glass transport with large 272 kg capacity



Included

CRL All Terrain Dolly

Cat. No. ATD1

- Ideal for moving heavy glass panels around the job site
- Goes where other glass dollies won't
- Built-In 203 mm Wood's™ Powr-Grip® Vacuum Cup
- Includes a set of our RB200 Roller Blocks
- Exclusive to CRL
- Frame in solid aluminium
- 181 kg load capacity

C. R. Laurence of Europe

Call FREE on 00 800 0421 6144

Manchester

Charles Babbage Avenue
Kingsway Business Park,
Rochdale, OL16 4NW, England
Tel: +44 (0) 1706 863 600
Fax: +44 (0) 1706 869 860
crlaurence.co.uk

Stuttgart

Boschstrasse 7
D-74360 Ilsfeld
Germany
Tel: +49 (0) 7062 915 93 15
Fax: +49 (0) 7062 915 93 16
crl.eu