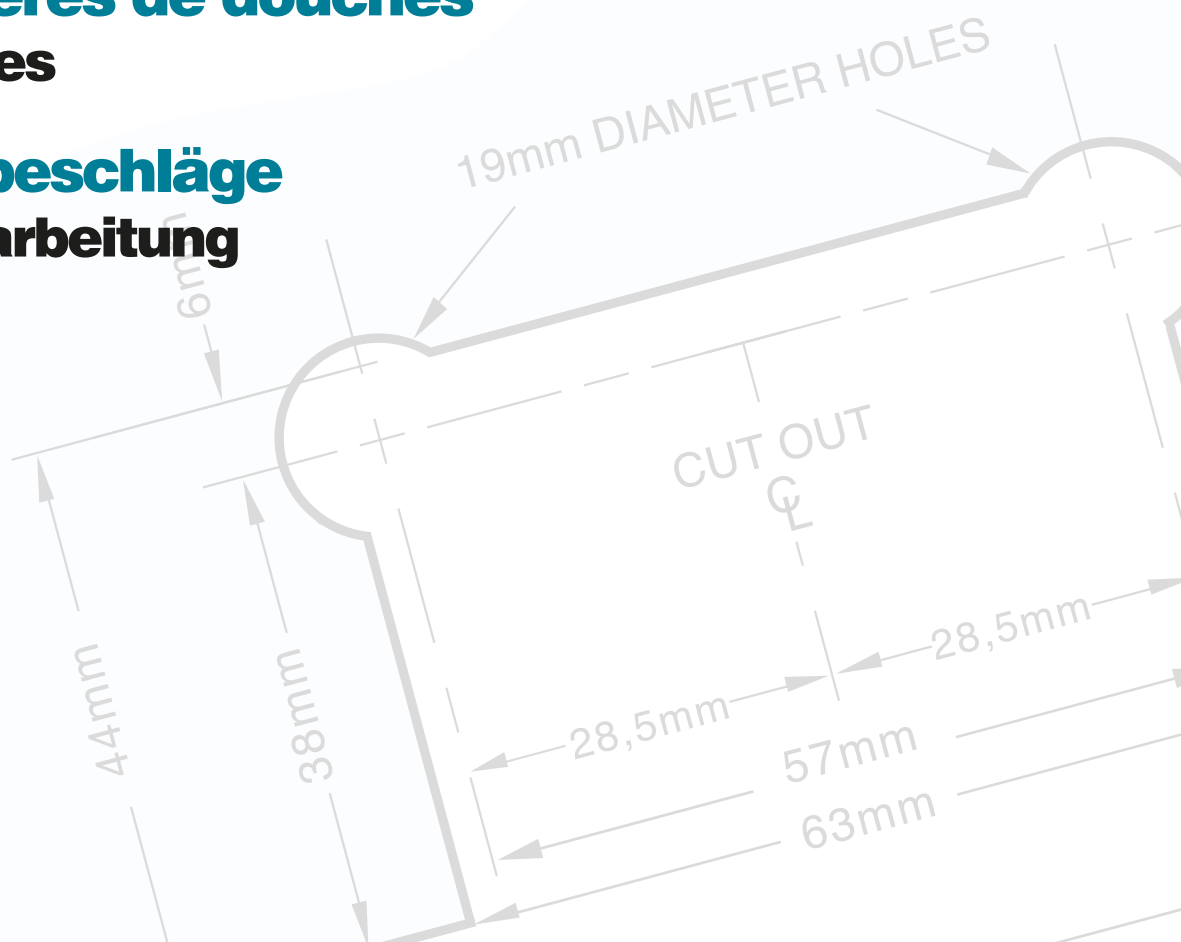


Shower Hinges

Cut Out Templates

Charnières de douches
Encoches

Duschbeschläge
Glasbearbeitung







This guide details measurements for our full range of shower hinges. Further information can be taken from our accompanying product brochures.

Diese Broschüre beinhaltet detaillierte Angaben zu einer großen Auswahl unserer Beschläge. Weitere Informationen erhalten Sie über www.crlaurence.de oder unsere Mitarbeiter.



Ce guide détaille les mesures pour notre gamme complète de douche charnières. De plus amples informations peuvent être prises à partir de nos brochures de produits d'accompagnement.



- 04 CRL Geneva Series
- 07 CRL Genva Series Adjustable
- 09 CRL Junior Genva Series
- 11 CRL Vienna Series
- 14 CRL Vienna Series Adjustable
- 15 CRL Pinnacle Series
- 18 CRL Pinnacle Series Adjustable
- 20 CRL Cologne Series
- 23 CRL Cologne Series Adjustable
- 24 CRL Grande Series
- 26 CRL Grande Series Adjustable
- 28 CRL Prima Series
- 32 CRL Junior Prima Series
- 33 CRL Senior Prima Series
- 34 CRL Petite Series
- 36 CRL Cardiff Series
- 37 CRL Senior Cardiff Series
- 38 CRL Zurich Series
- 41 CRL Regal Series
- 42 CRL Riviera Series



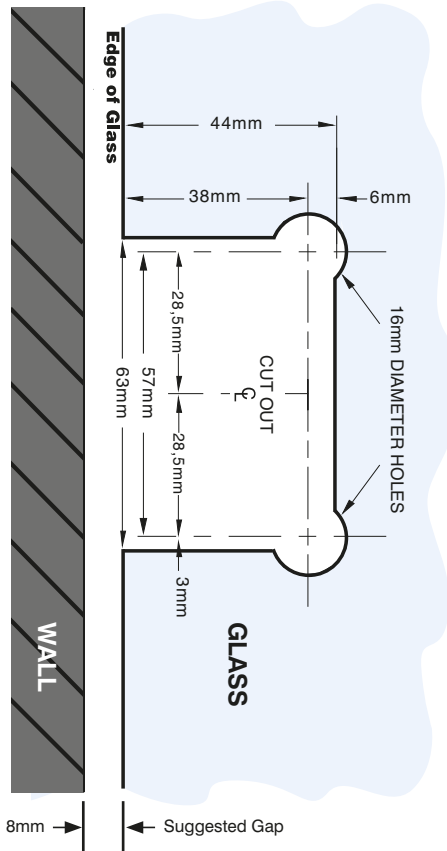
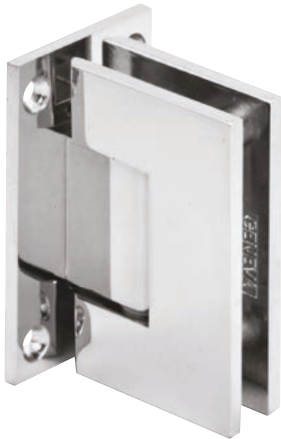
For more information call FREE on
00 800 0421 6144

e: CRL@crlaurence.co.uk f: 00 800 0262 3299

CRL Geneva Series

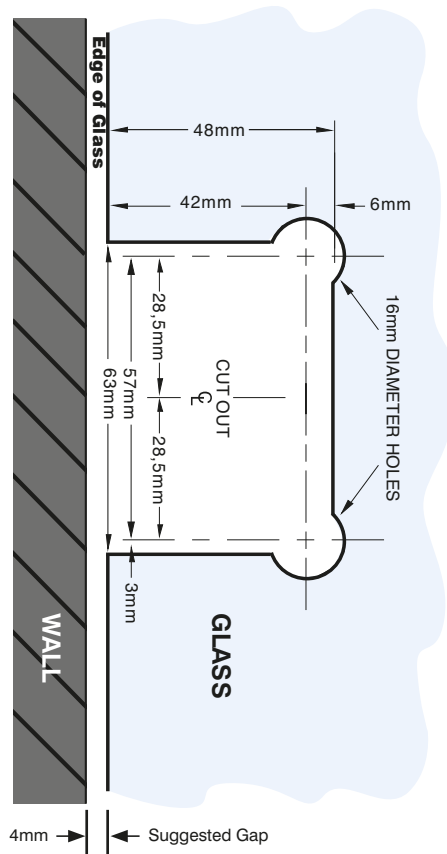
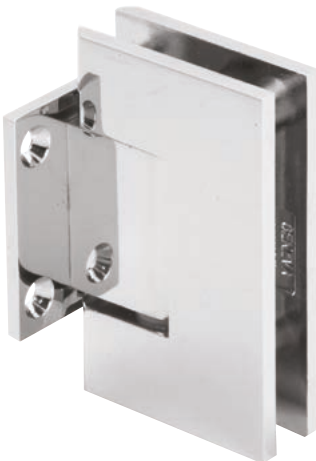
Cat. No. GEN037XX

Cat. No. GEN537XX

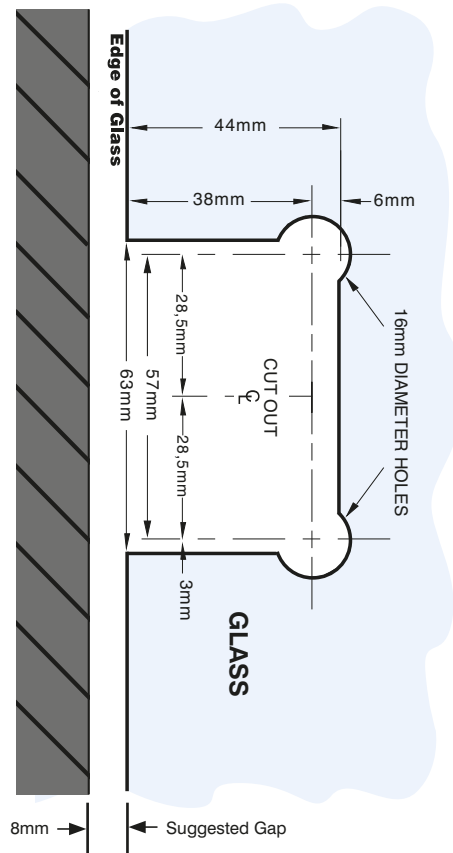


Cat. No. GEN074XX

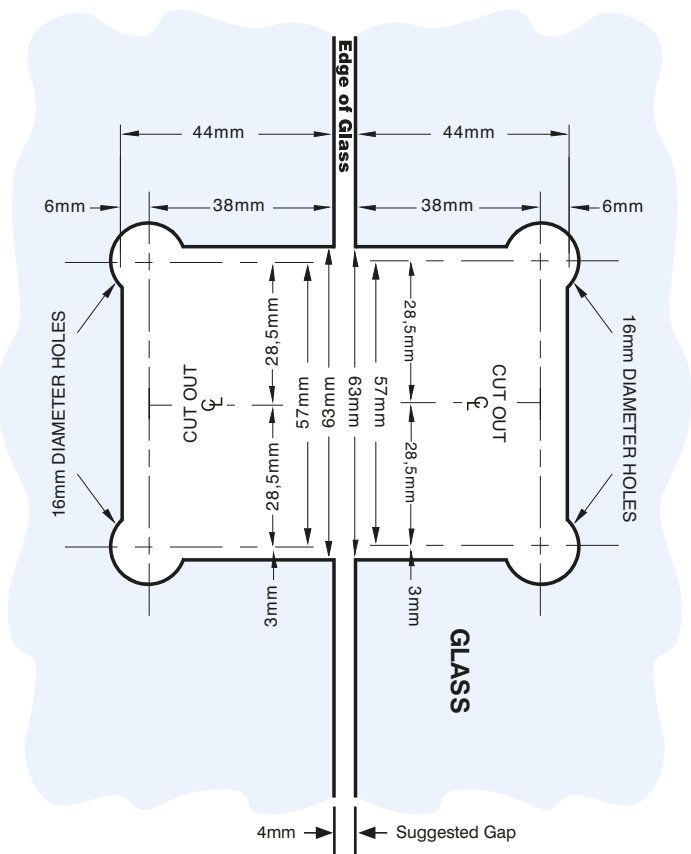
Cat. No. GEN574XX



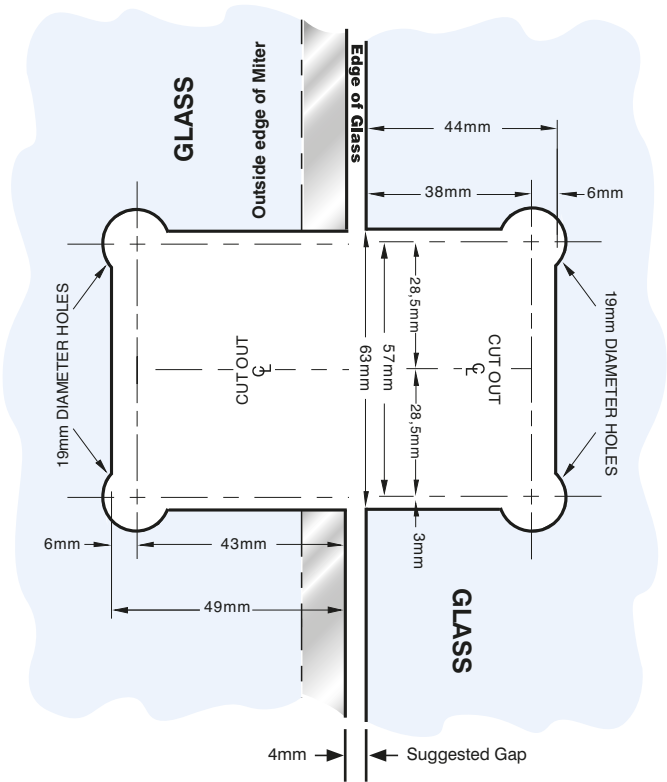
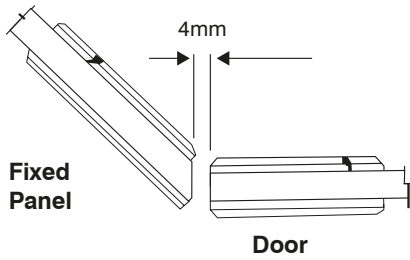
Cat. No. GEN044XX
 Cat. No. GEN544XX



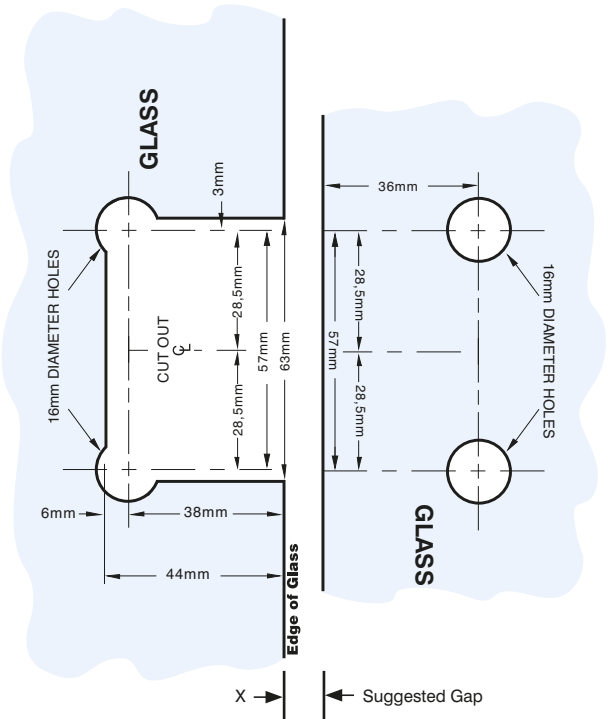
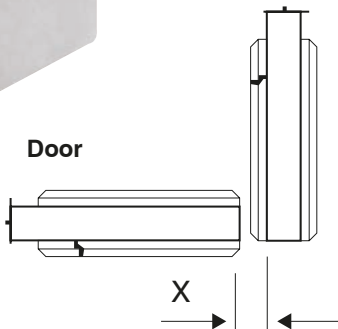
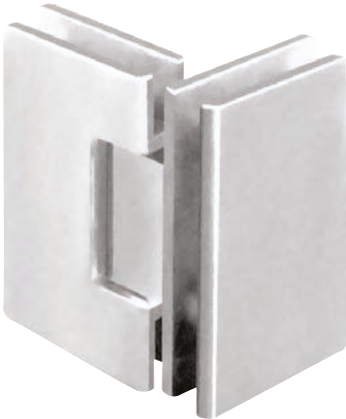
Cat. No. GEN180XX
 Cat. No. GEN580XX



Cat. No. GEN045XX
 Cat. No. GEN545XX



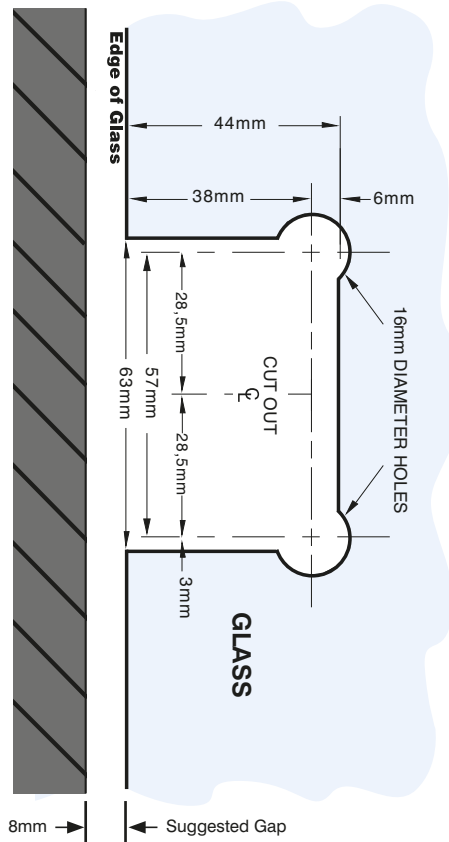
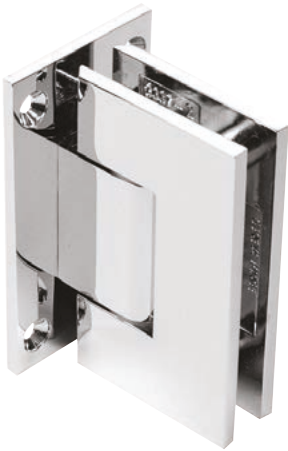
Cat. No. GEN092XX



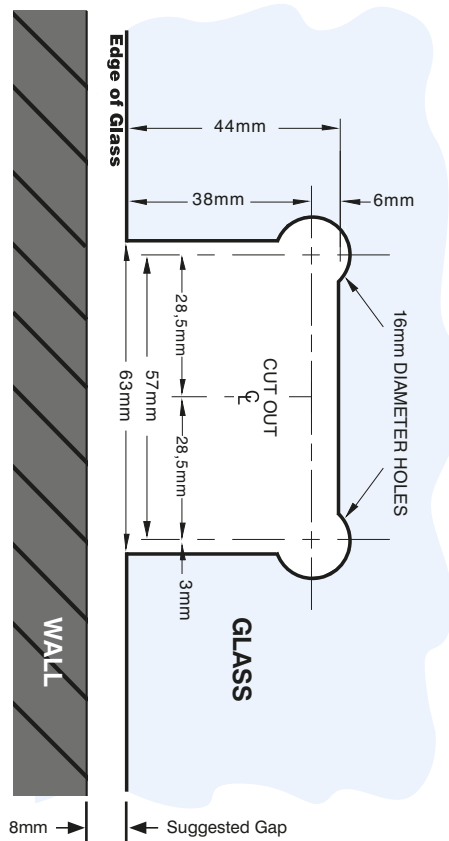
Glass thickness:	8mm	10mm	12mm
X	10mm	9mm	8mm

CRL Geneva Series Adjustable

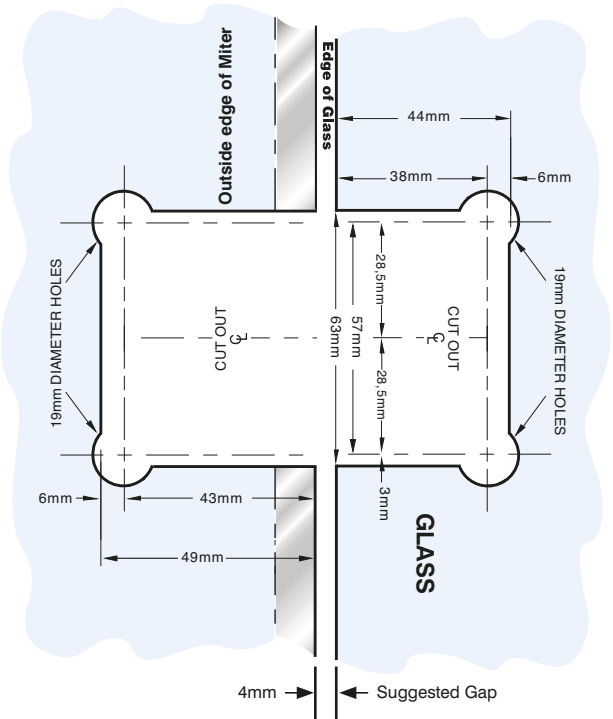
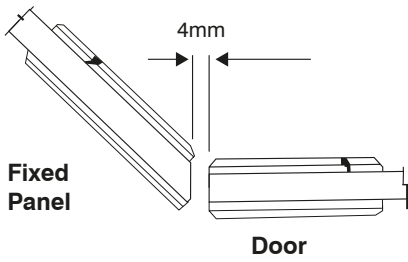
Cat. No. GEN337XX



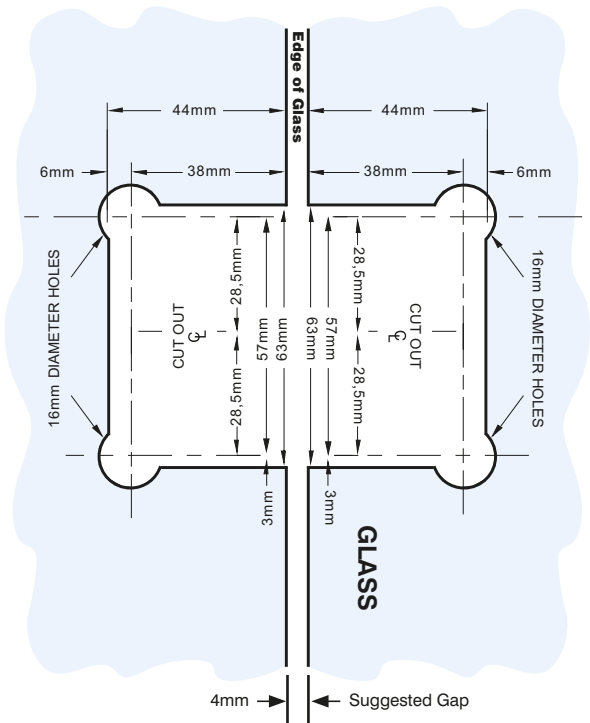
Cat. No. GEN344XX



Cat. No. GEN345XX

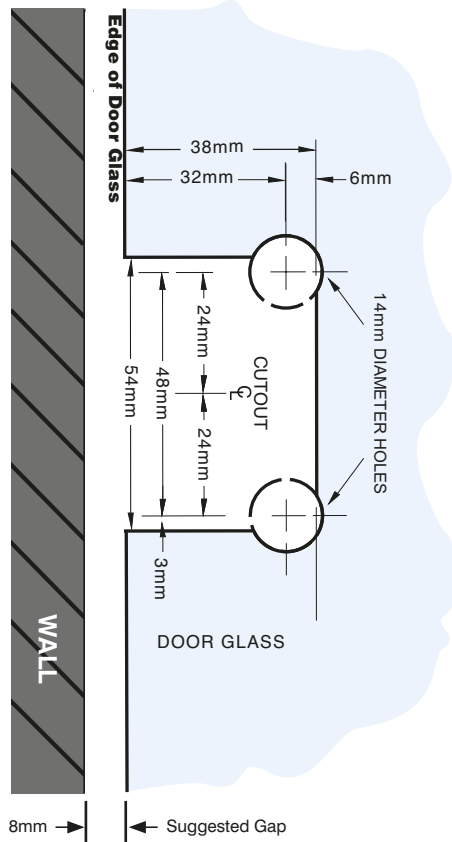


Cat. No. GEN380XX

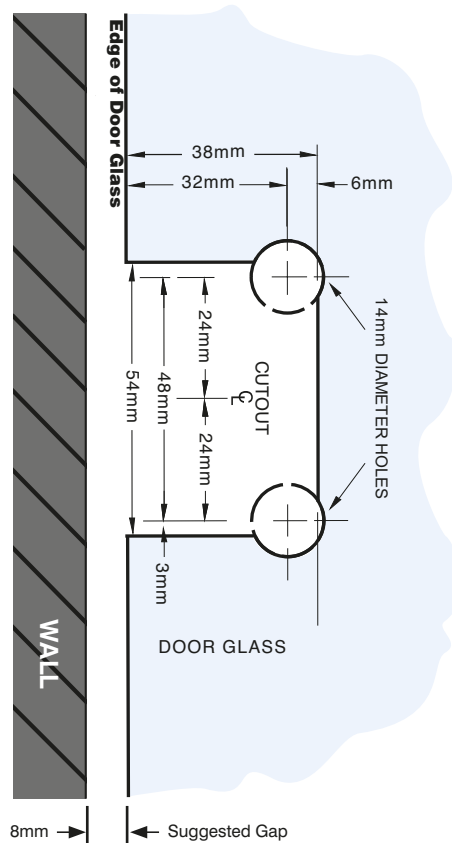


CRL Junior Geneva Series

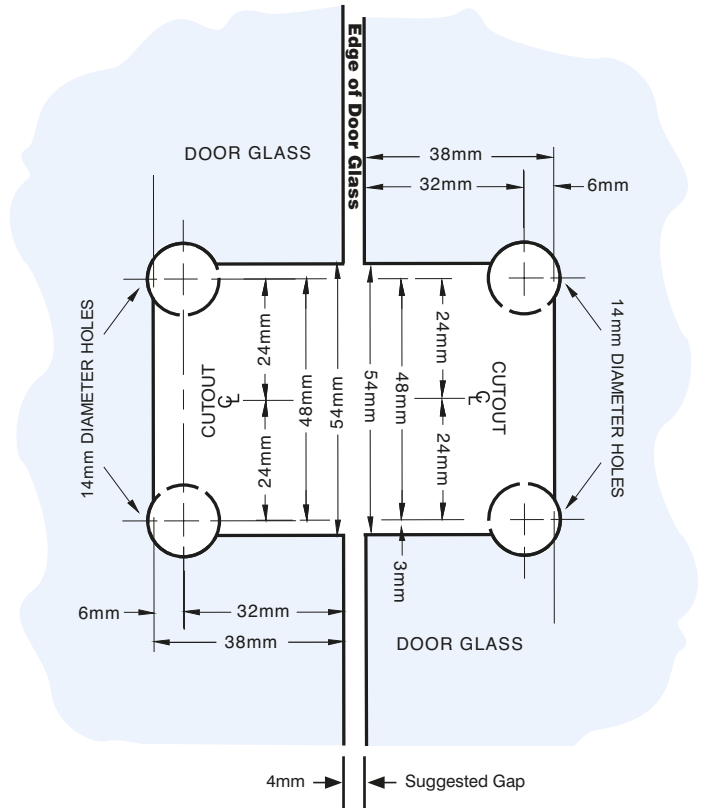
Cat. No. JRG037XX



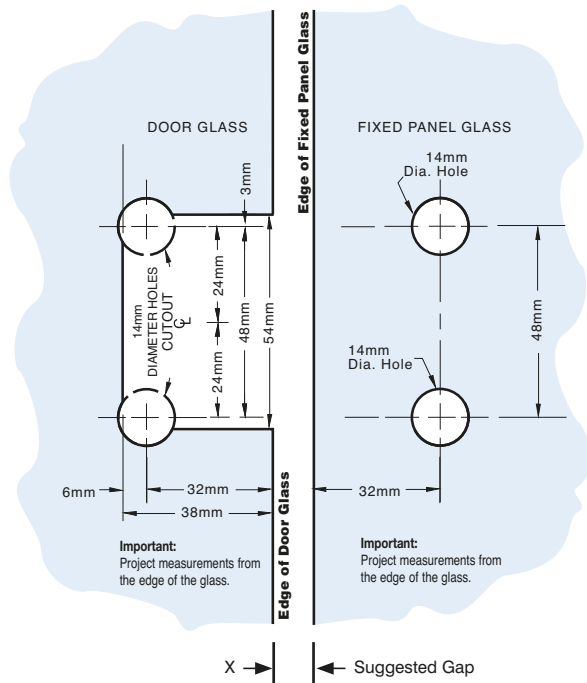
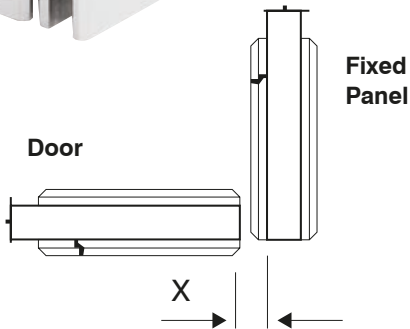
Cat. No. JRG044XX



Cat. No. JRG180XX



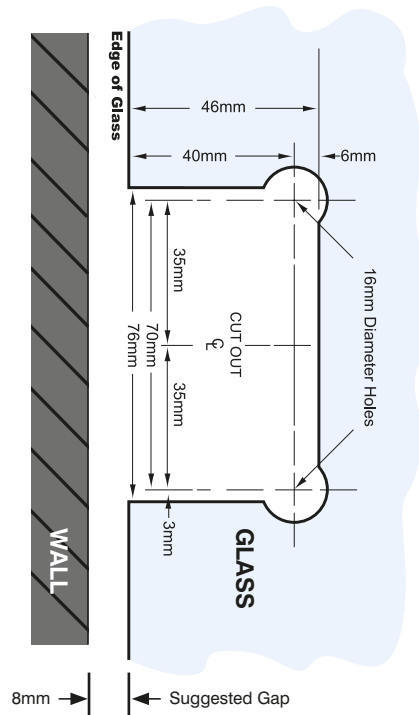
Cat. No. JRG092XX



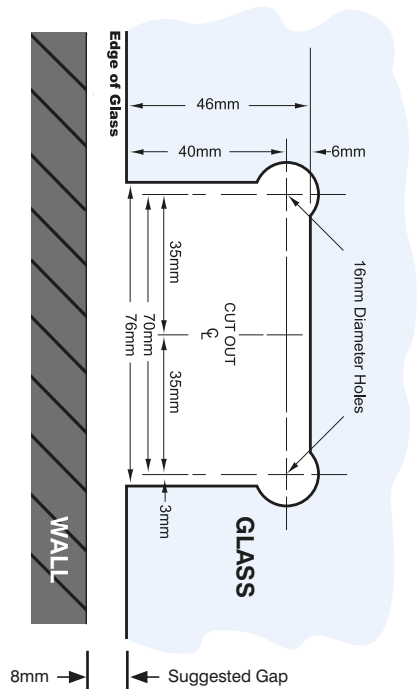
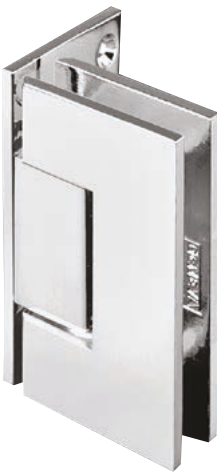
Glass thickness:	6mm	8mm
X	9mm	8mm

CRL Vienna Series

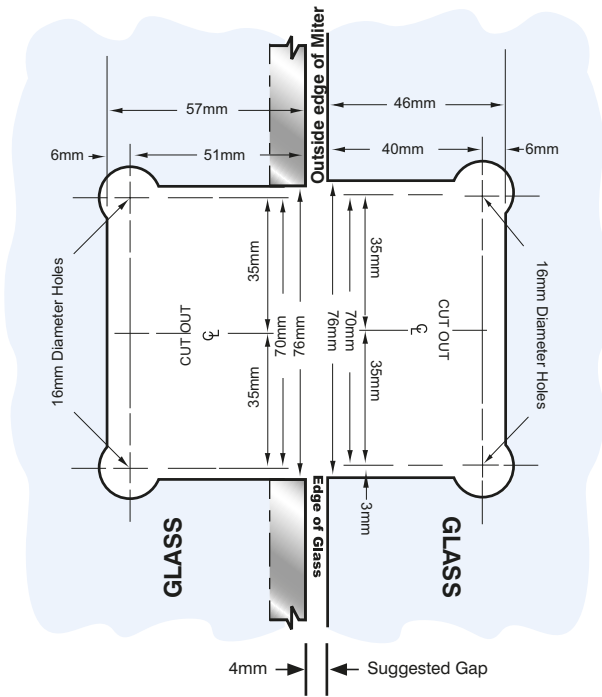
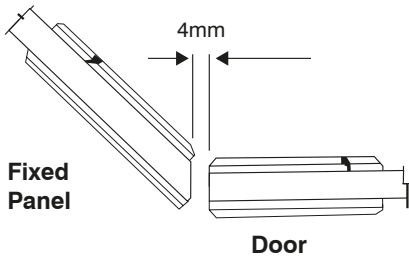
Cat. No. V1E037XX
 Cat. No. V1E537XX



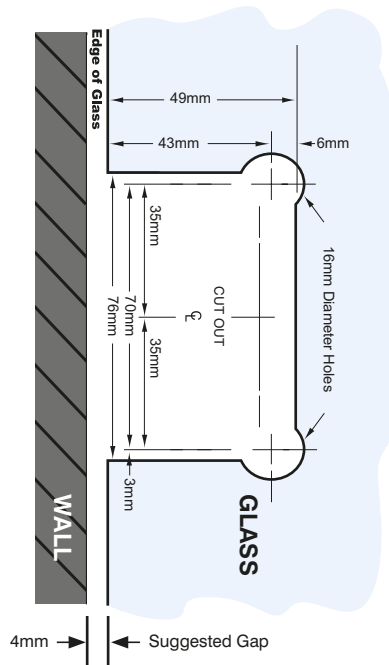
Cat. No. V1E044XX
 Cat. No. V1E544XX



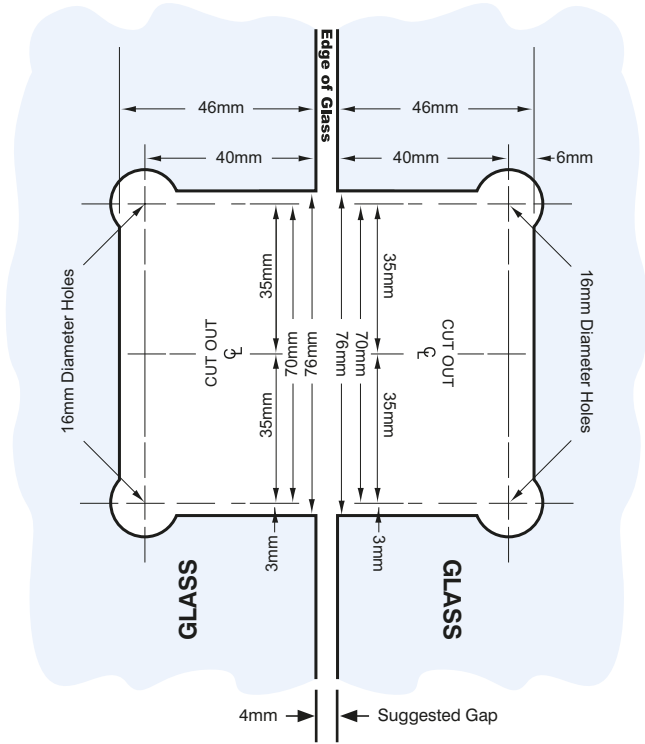
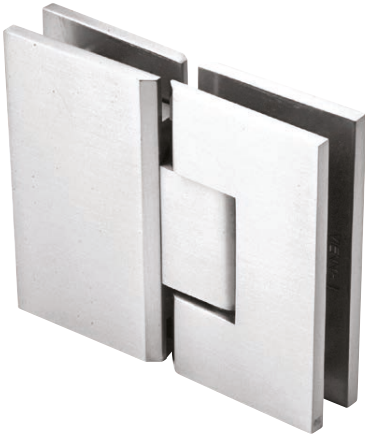
Cat. No. V1E045XX



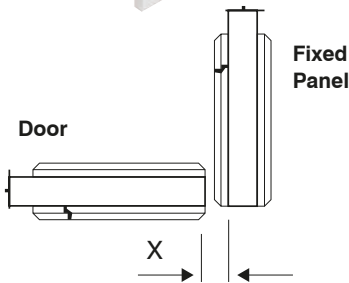
Cat. No. V1E074XX



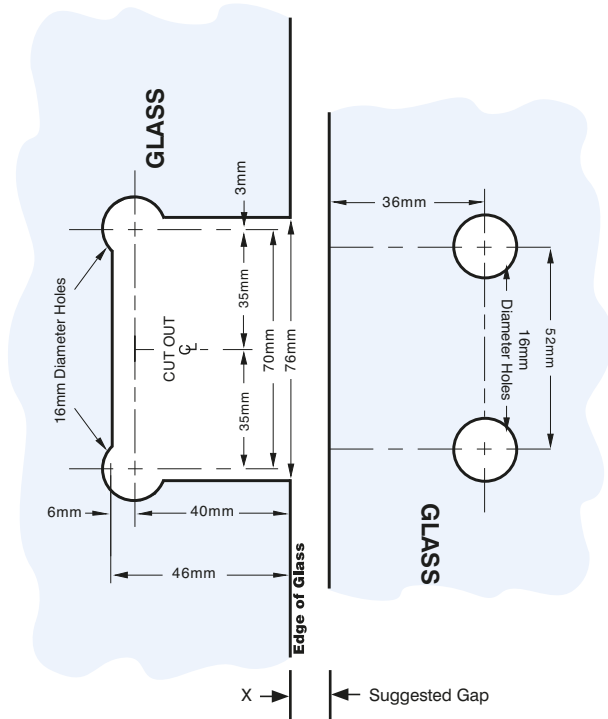
Cat. No. V1E180XX
 Cat. No. V1E580XX



Cat. No. V1E092XX

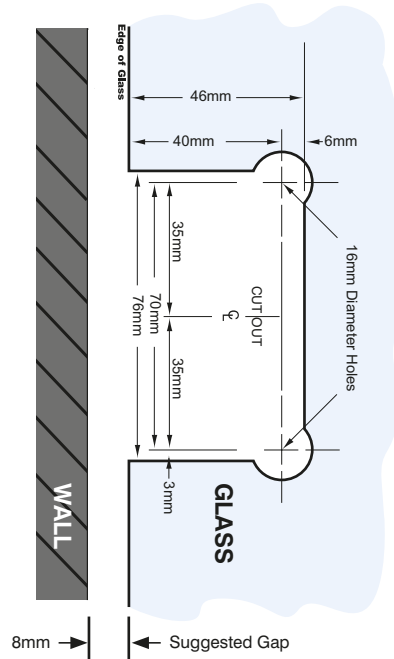


Glass thickness:	10mm	12mm
X	9mm	8mm

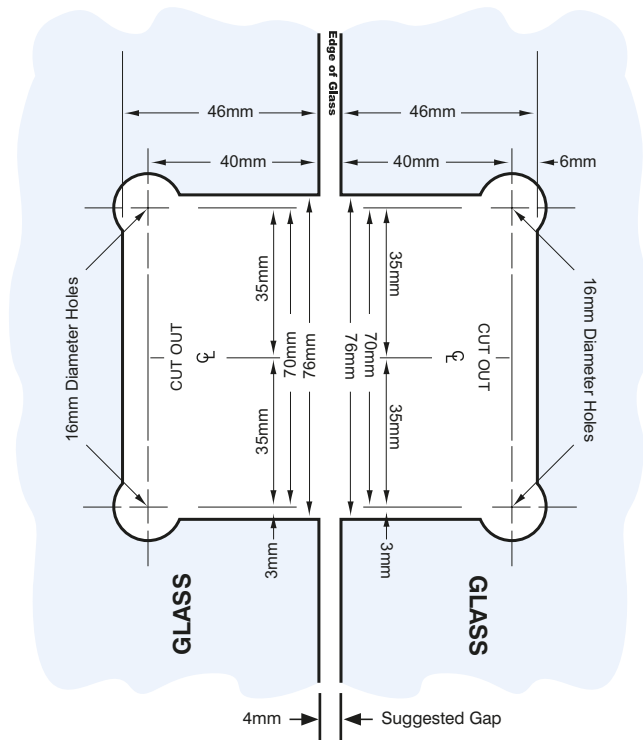


CRL Vienna Series Adjustable

Cat. No. V1E337XX

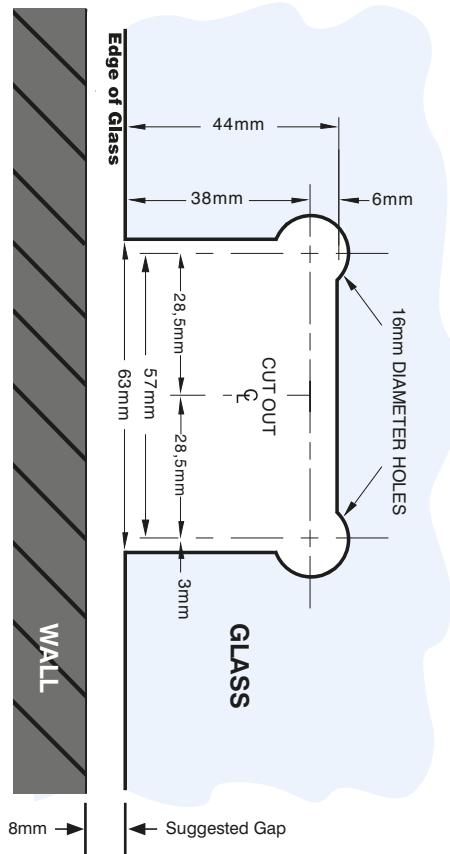


Cat. No. V1E380XX

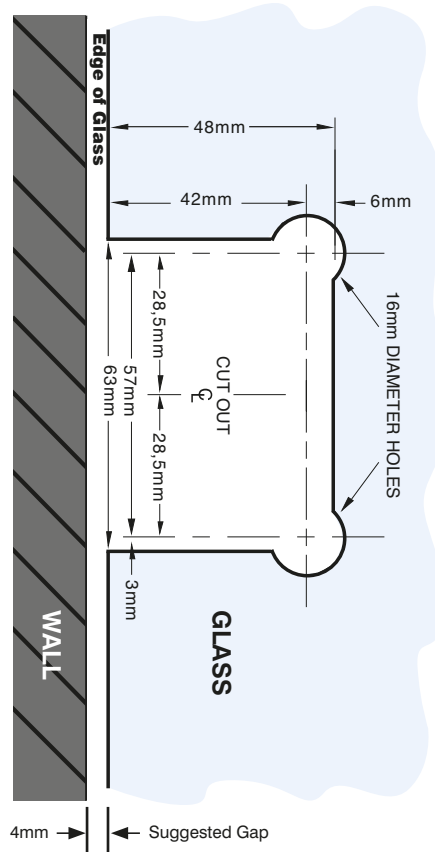


CRL Pinnacle Series

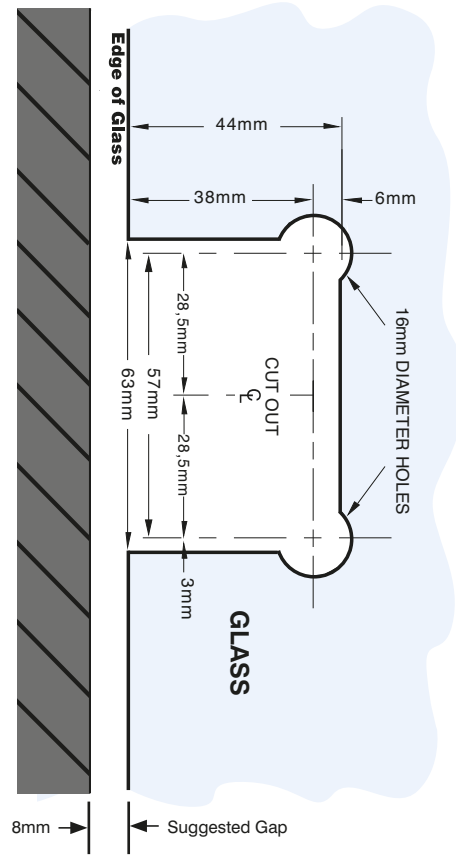
Cat. No. P1N037XX
 Cat. No. P1N537XX



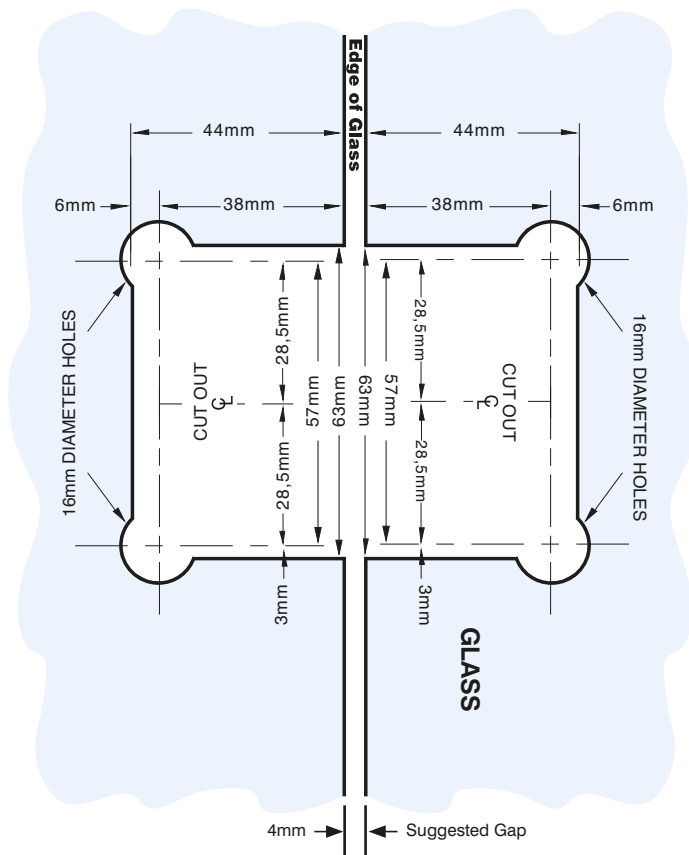
Cat. No. P1N074XX
 Cat. No. P1N574XX



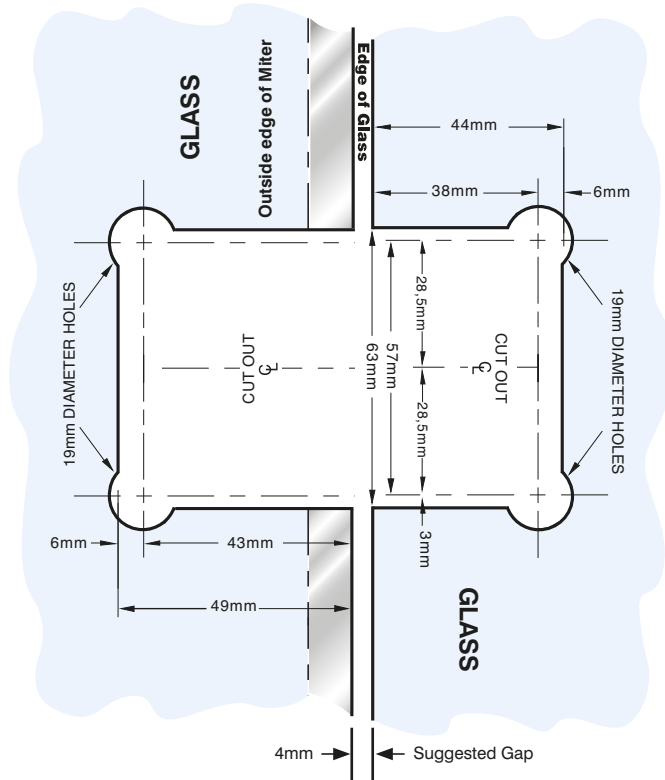
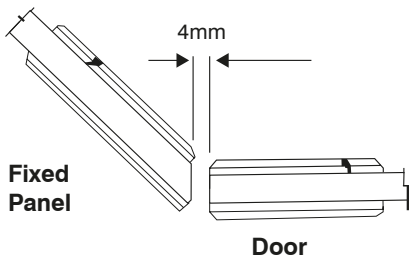
Cat. No. P1N044XX
 Cat. No. P1N544XX



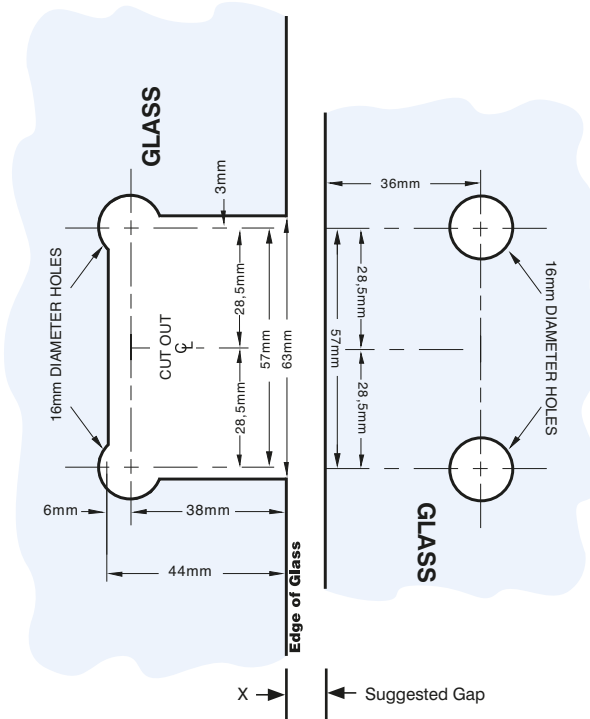
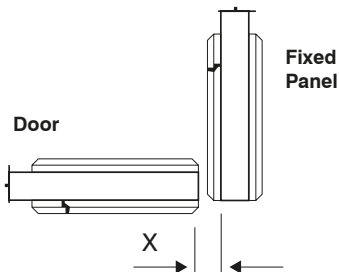
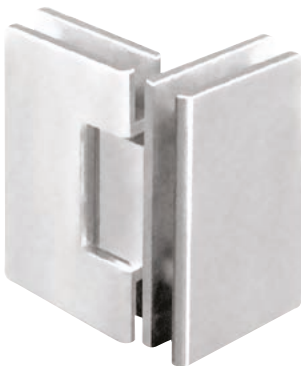
Cat. No. P1N180XX
 Cat. No. P1N580XX



Cat. No. P1N045XX



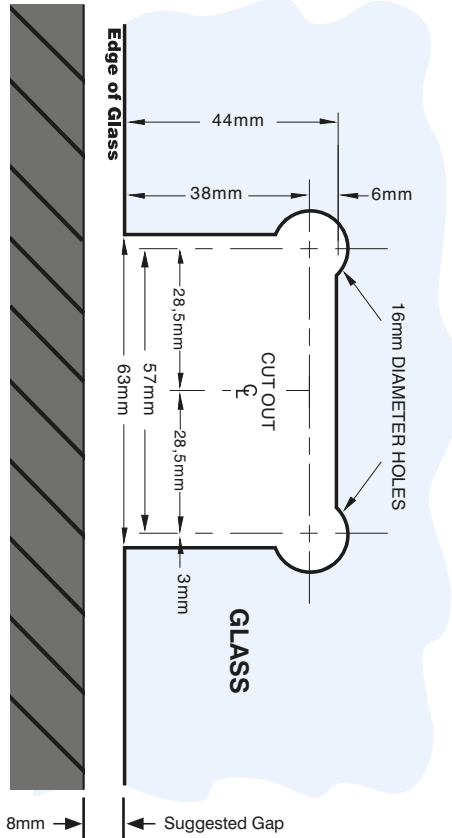
Cat. No. P1N092XX



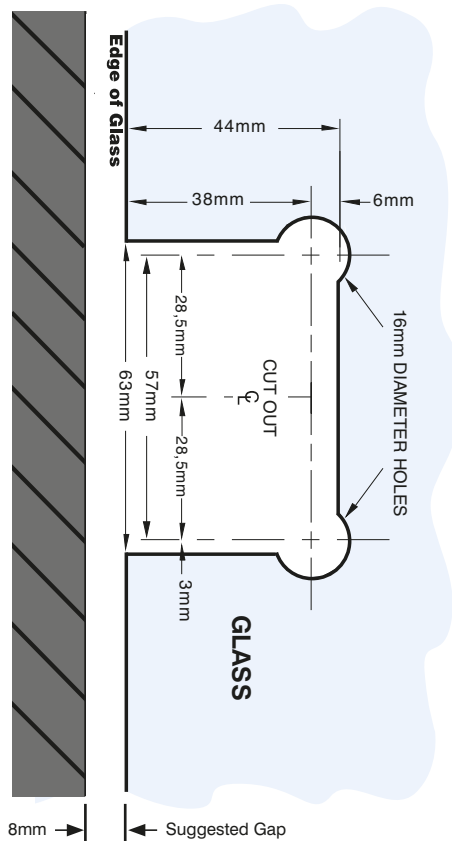
Glass thickness:	8mm	10mm	12mm
X	10mm	9mm	8mm

CRL Pinnacle Series Adjustable

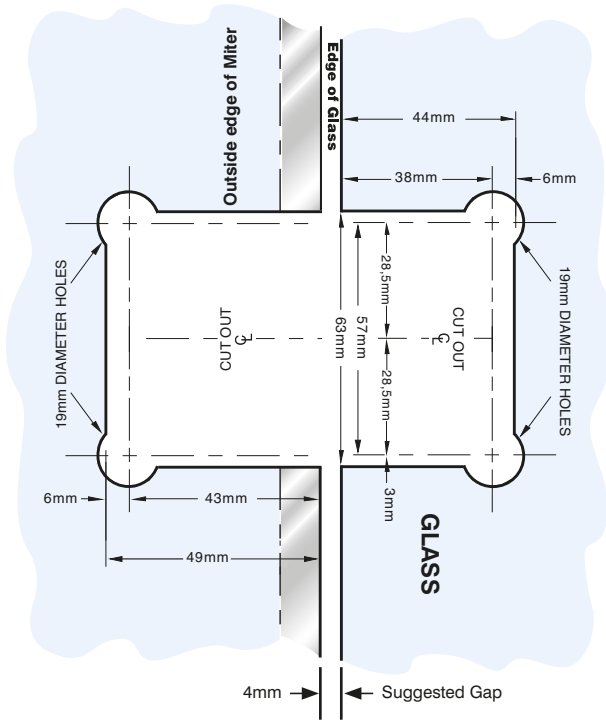
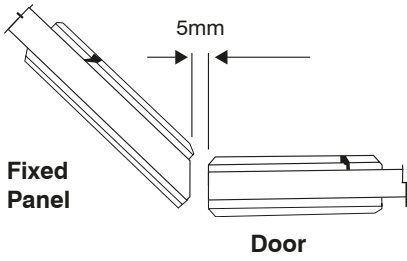
Cat. No. P1N337XX



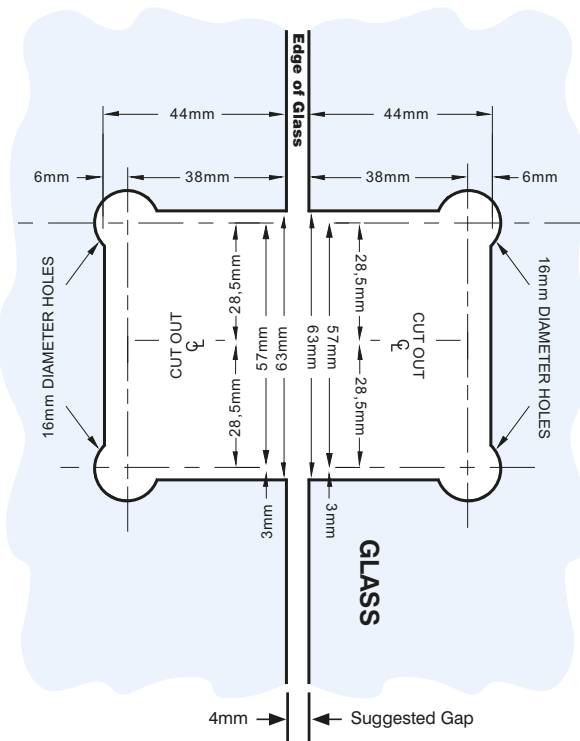
Cat. No. P1N344XX



Cat. No. P1N345XX

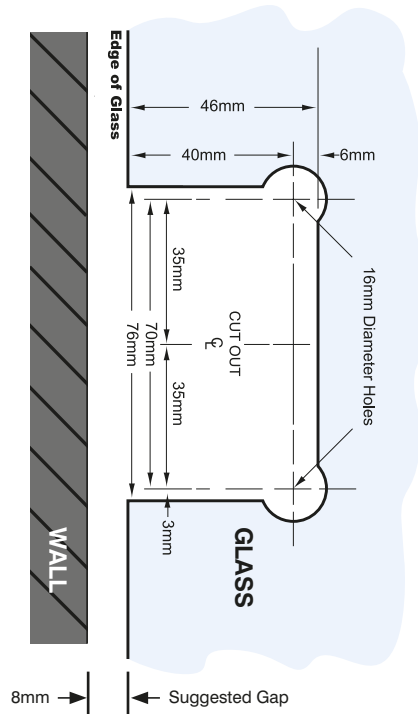


Cat. No. P1N380XX

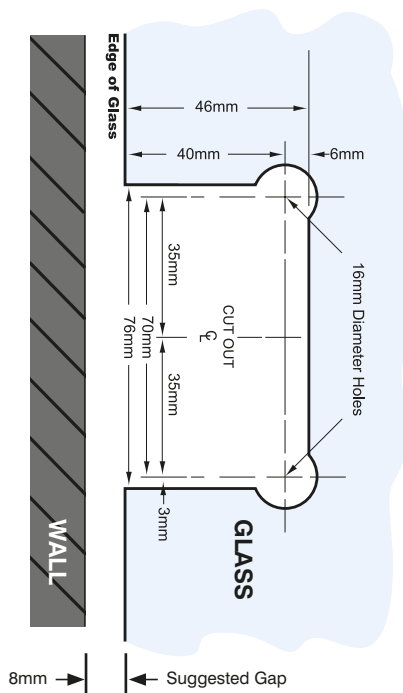


CRL Cologne Series

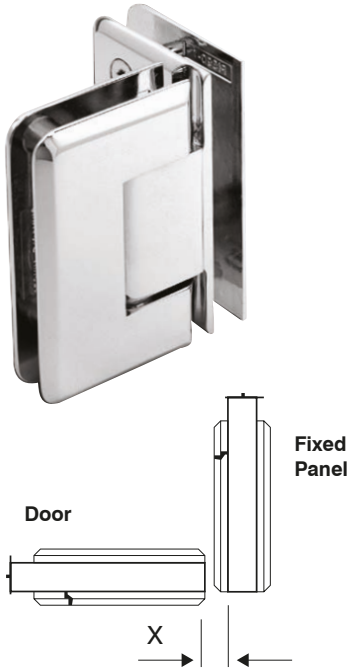
Cat. No. C0L037XX
 Cat. No. C0L537XX



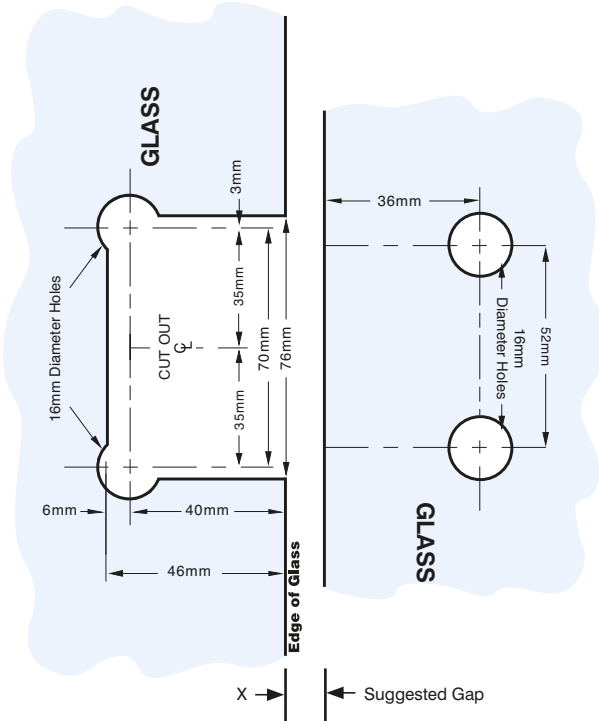
Cat. No. C0L044XX
 Cat. No. C0L544XX



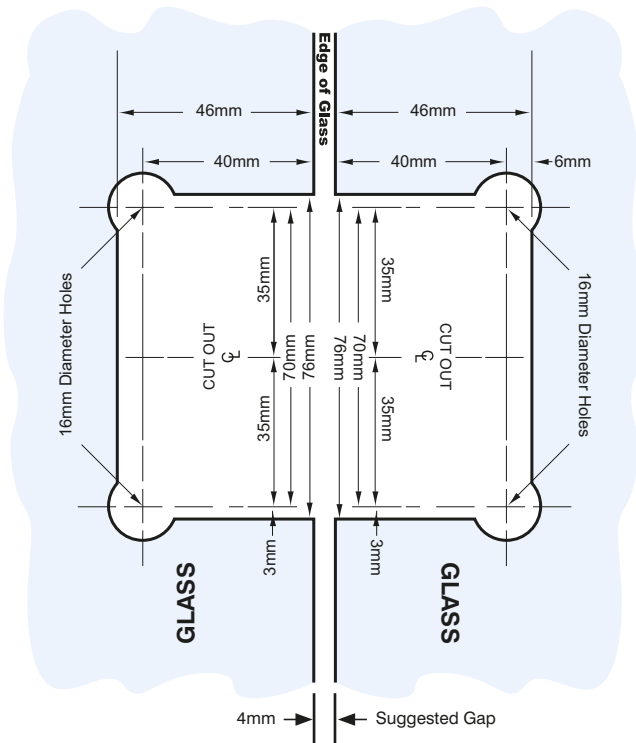
Cat. No. C0L092XX



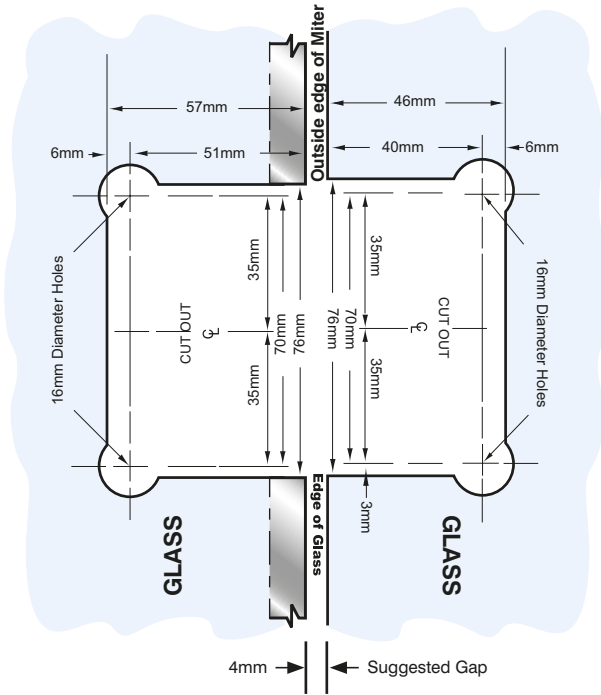
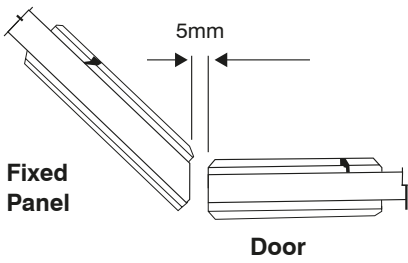
Glass thickness:	10mm	12mm
X	9mm	8mm



Cat. No. C0L180XX

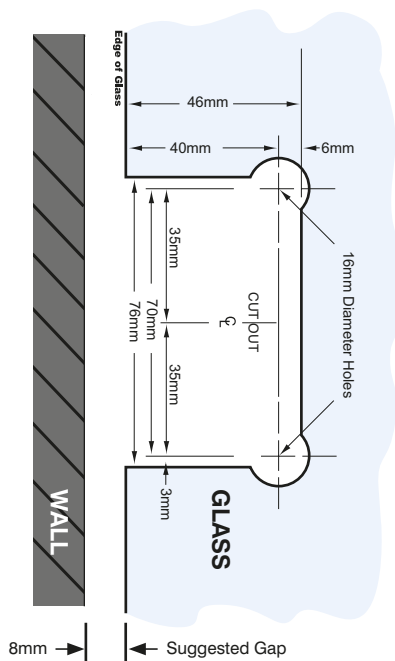


Cat. No. C0L045XX

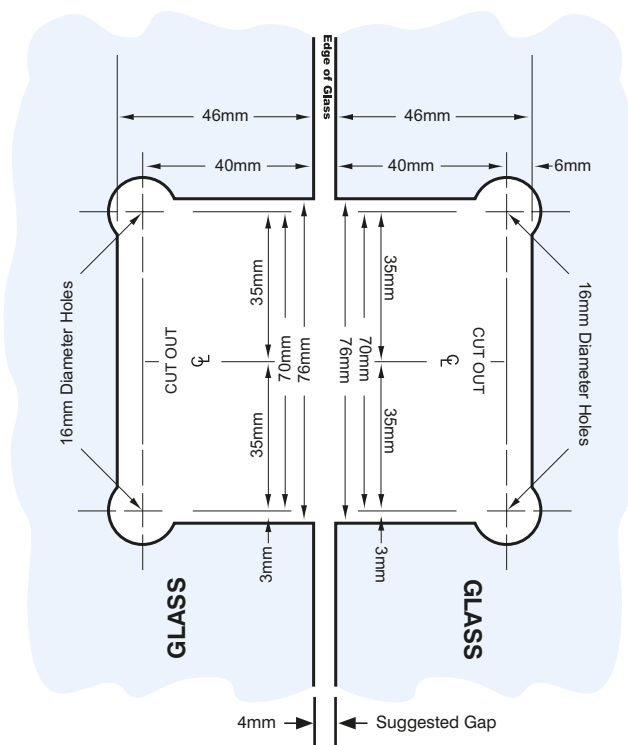


CRL Cologne Series Adjustable

Cat. No. C0L337XX

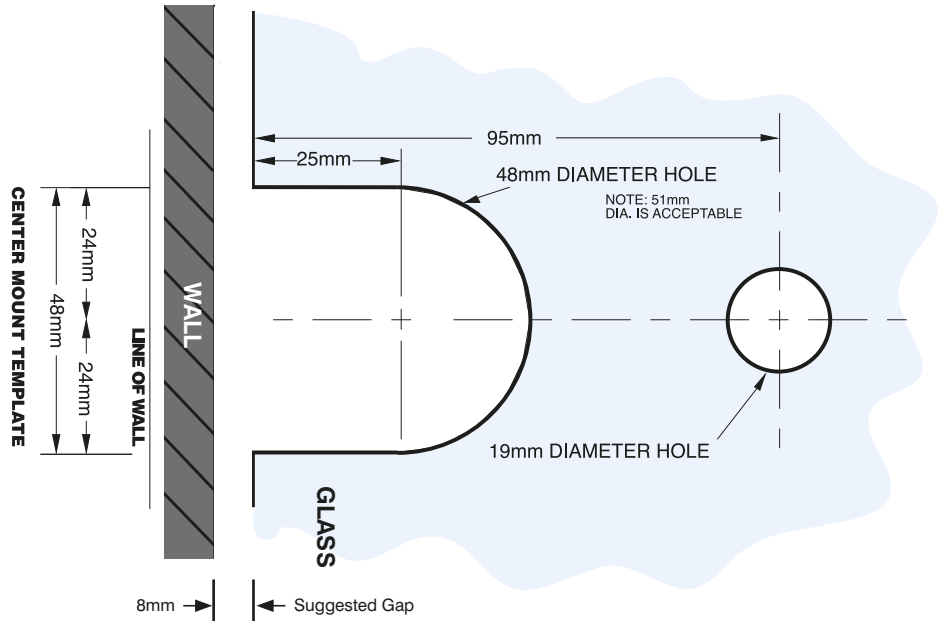


Cat. No. C0L380XX

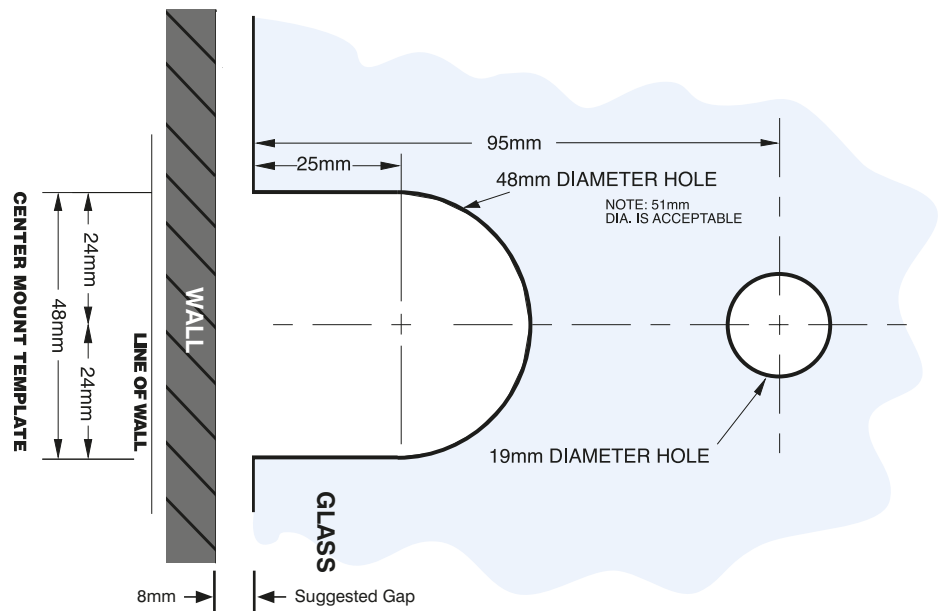


CRL Grande Series

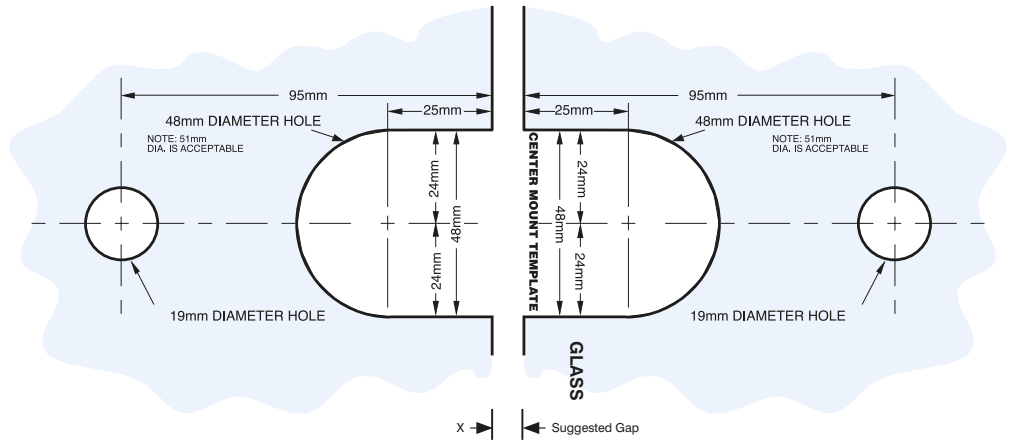
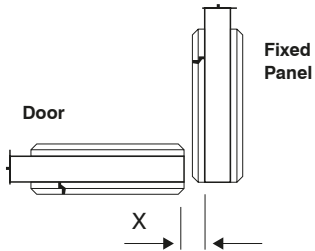
Cat. No. GRA037XX



Cat. No. GRA044XX

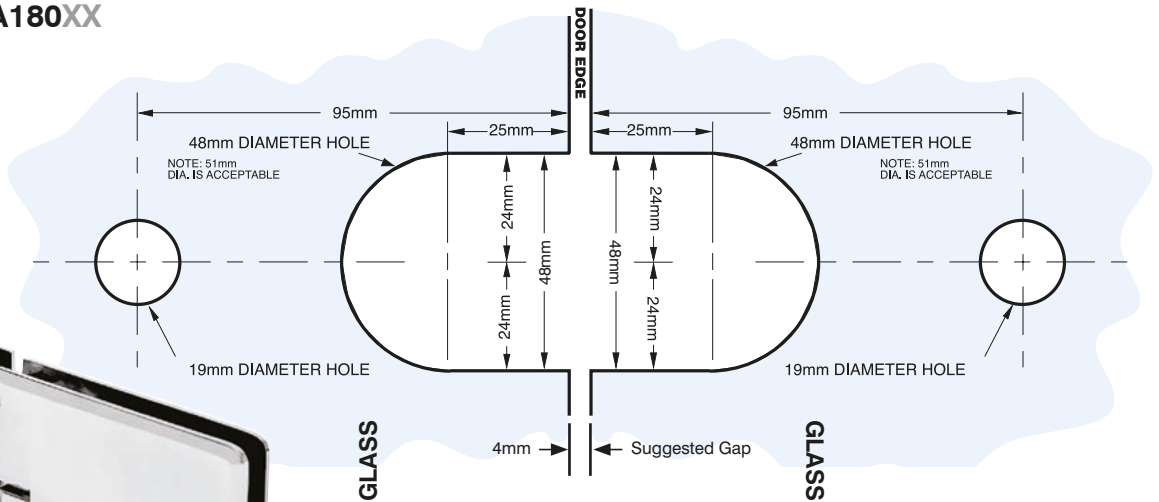


Cat. No. GRA090XX



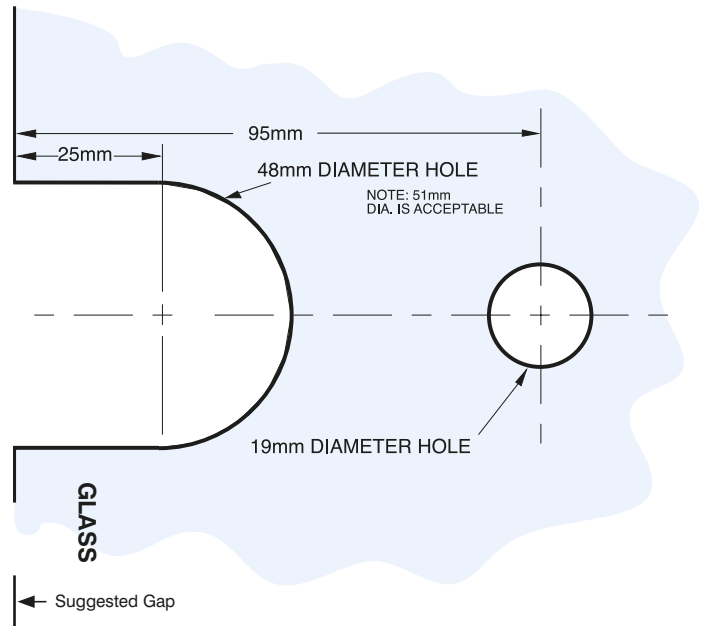
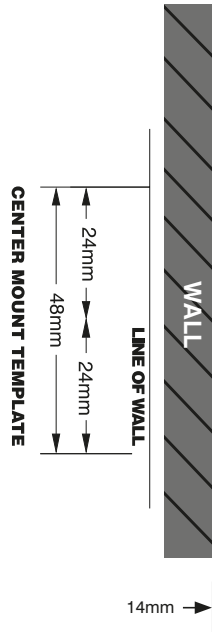
Glass thickness:	8mm	10mm
X	10mm	9mm

Cat. No. GRA180XX

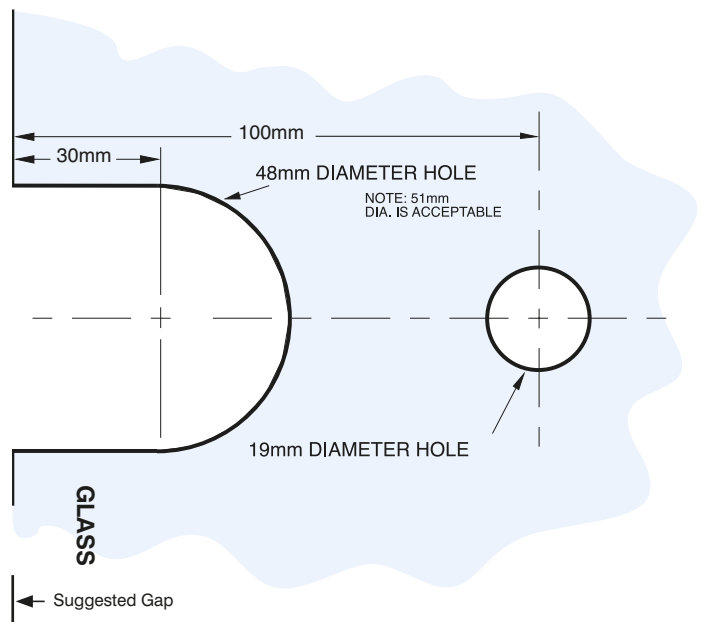
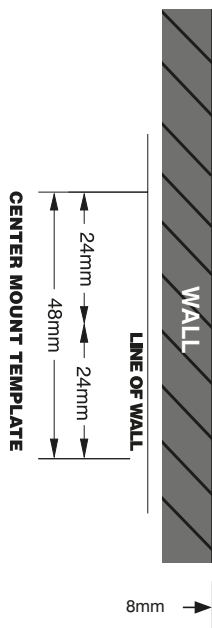


CRL Grande Series Adjustable

Cat. No. GRA337XX



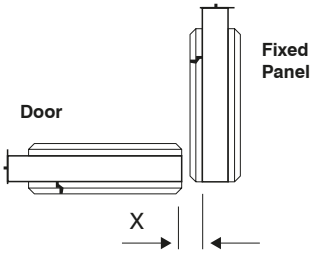
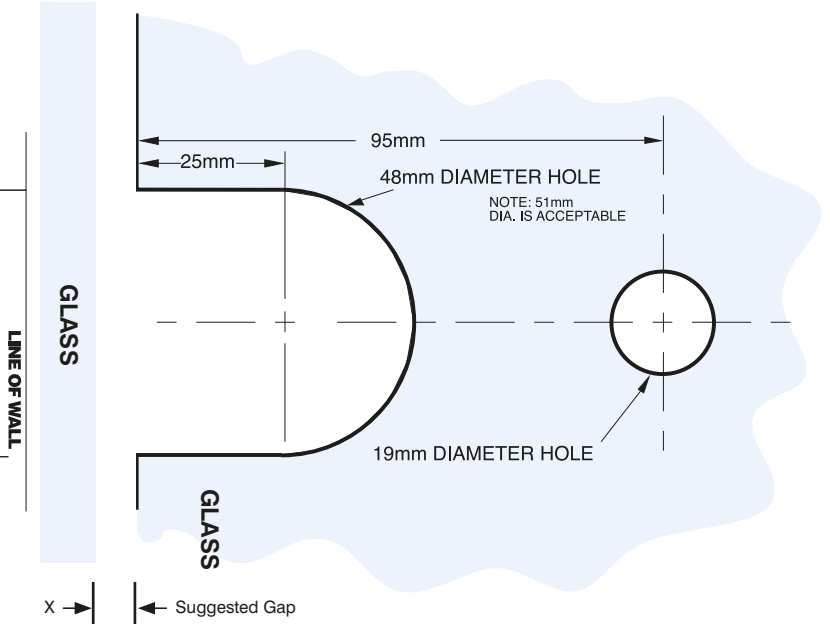
Cat. No. GRA344XX



Cat. No. GRA390XX

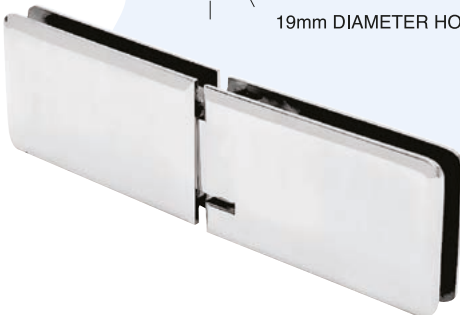
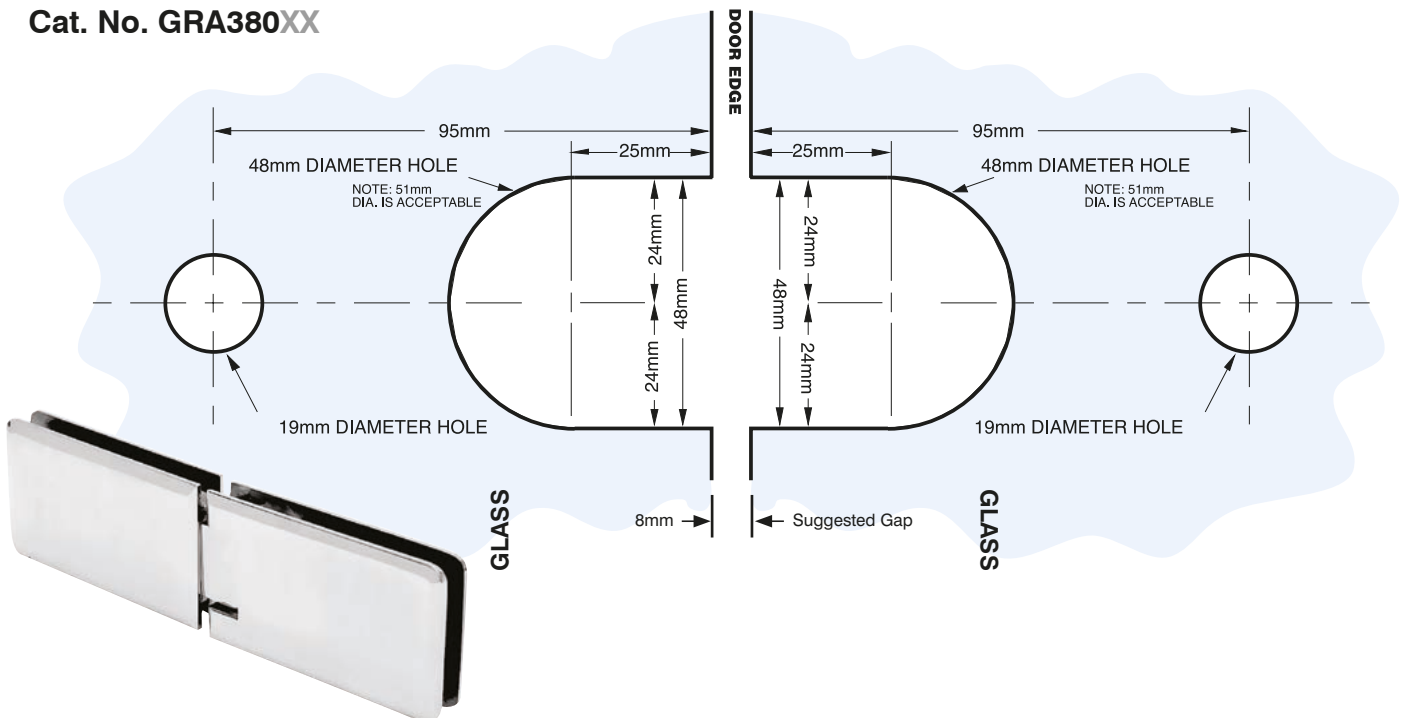


CENTER MOUNT TEMPLATE



Glass thickness:	8mm	10mm
X	14mm	15mm

Cat. No. GRA380XX

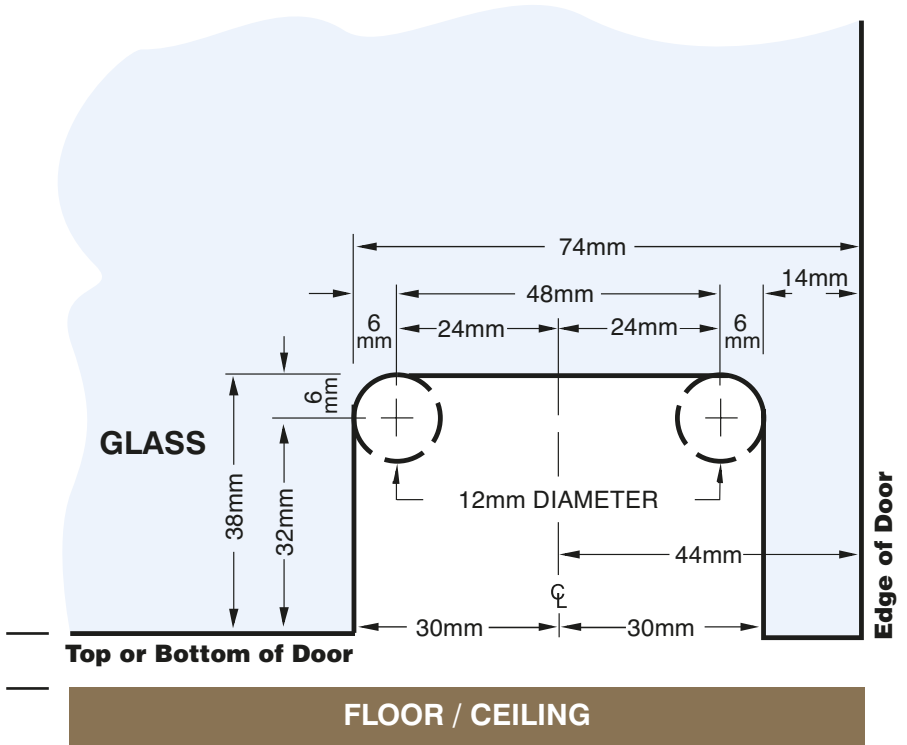


CRL Prima Series

Cat. No. PPH01XX



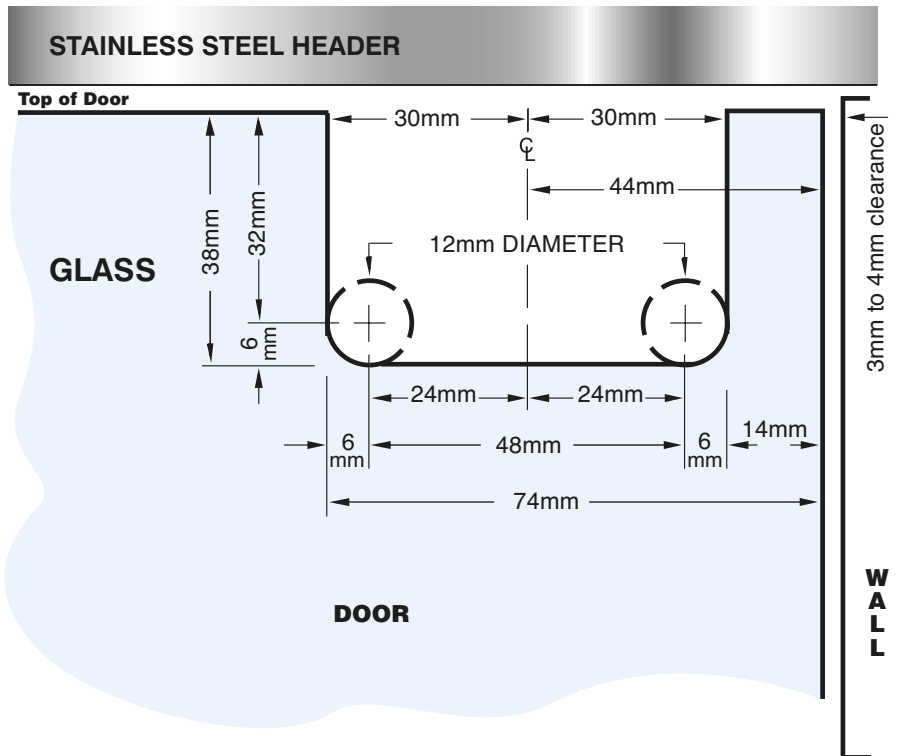
11mm Suggested Gap



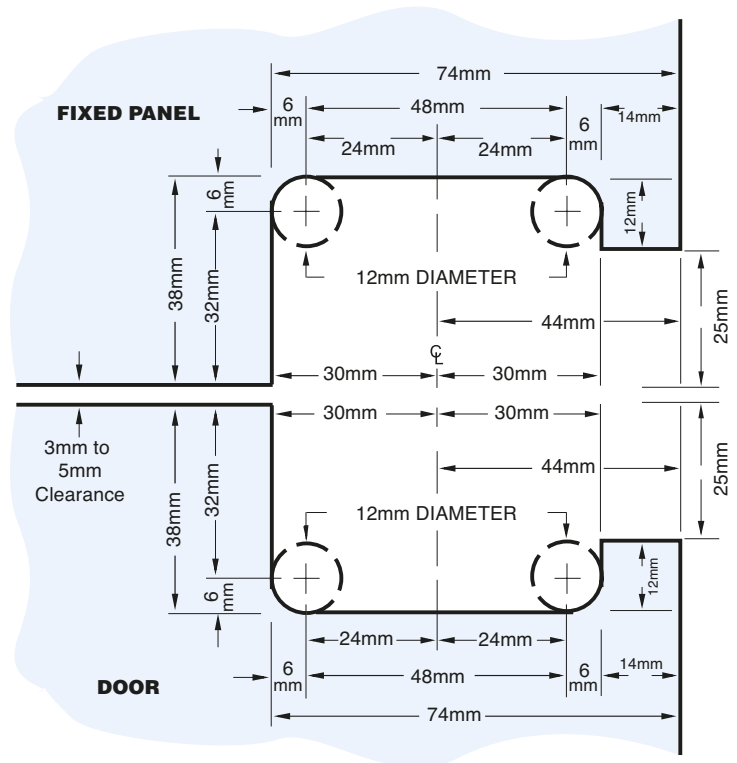
Cat. No. PPH06XX



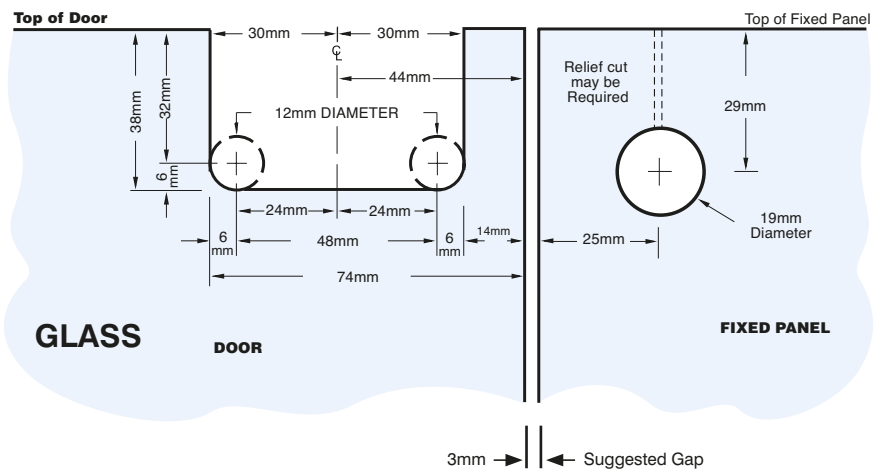
Standard 3mm Suggested Gap



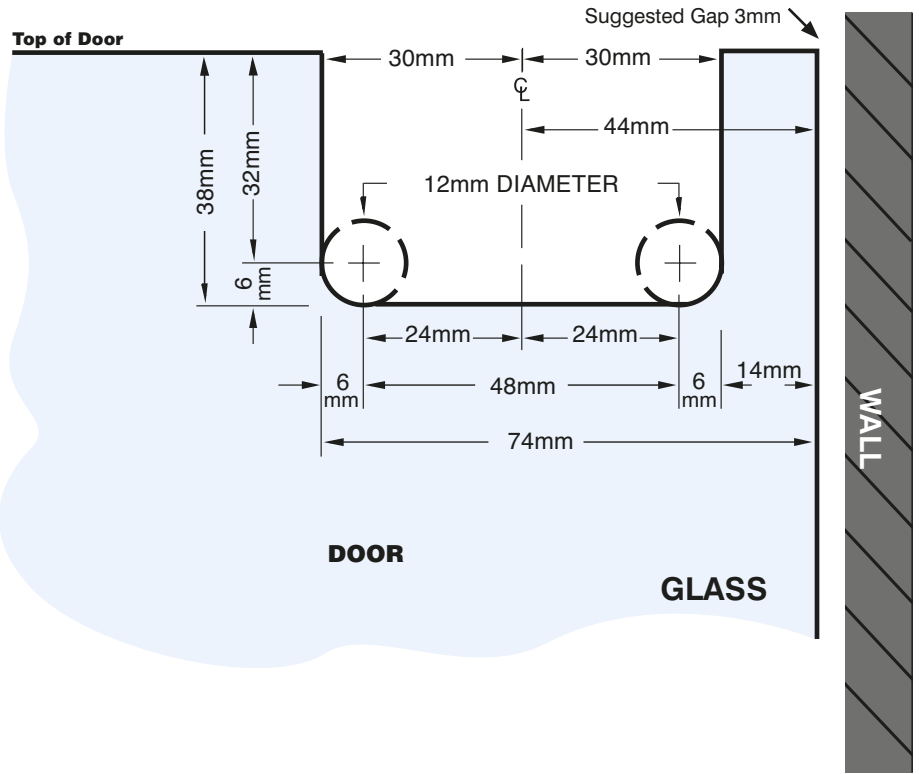
Cat. No. PPH02XX



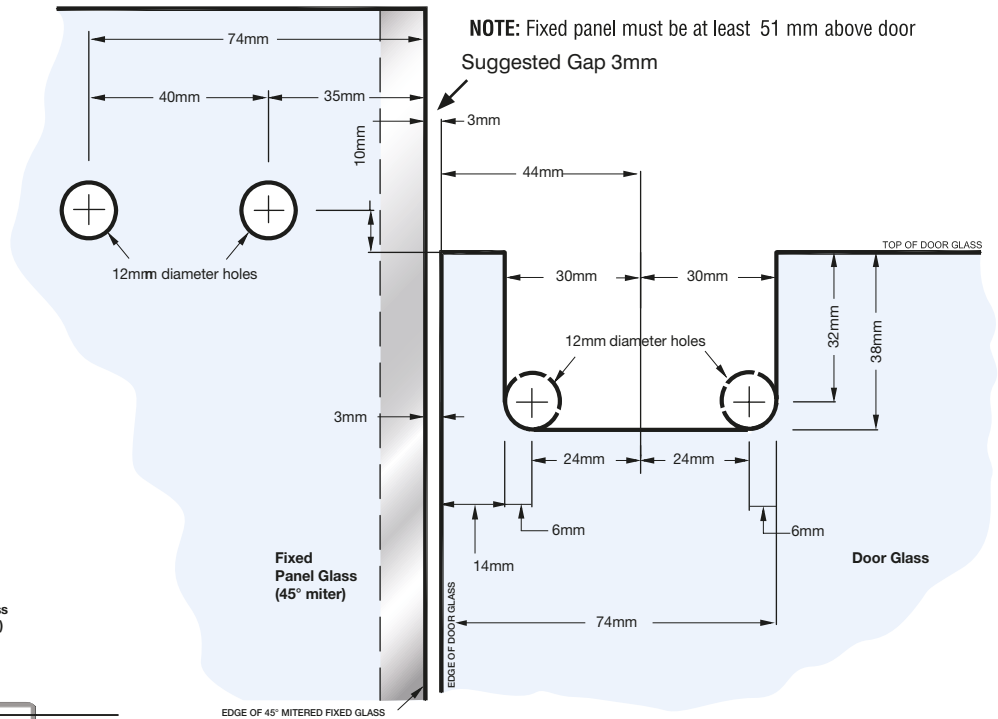
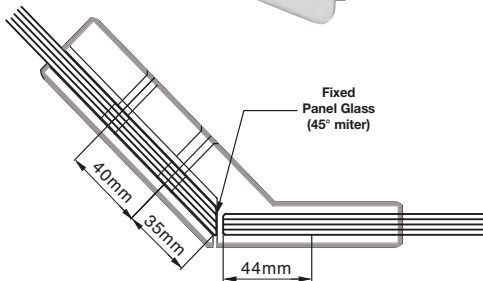
Cat. No. PPH07XX



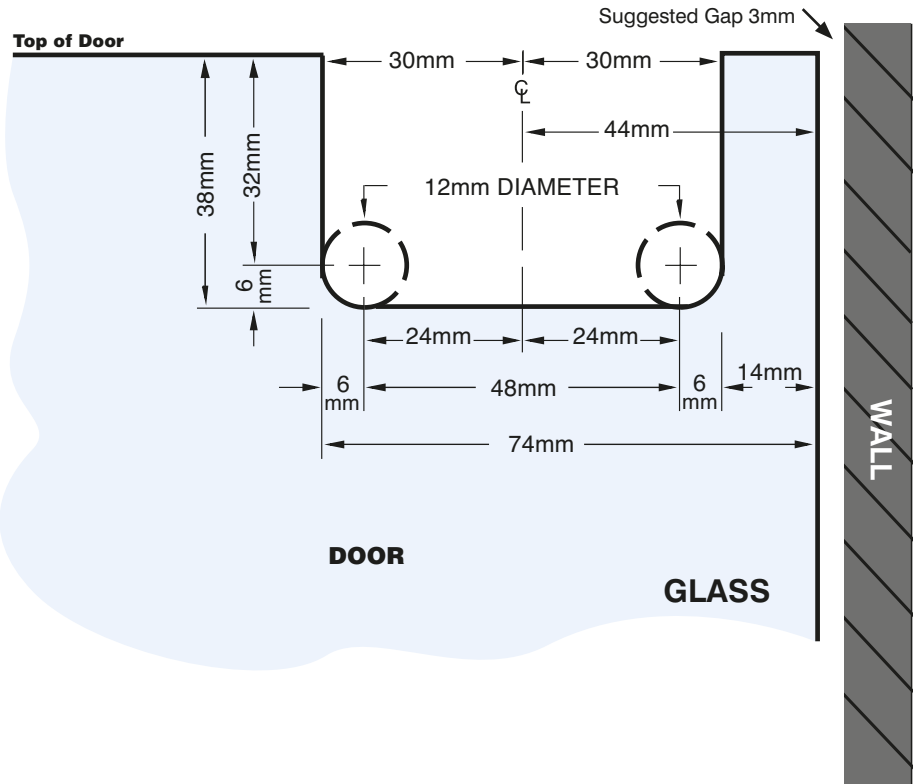
Cat. No. PPH03XX



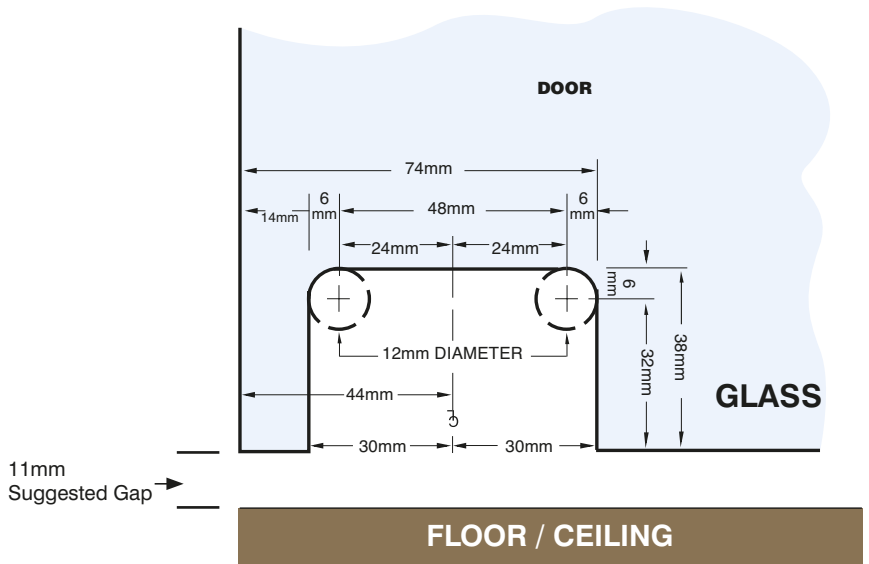
Cat. No. PPH135LXX
Cat. No. PPH135RXX



Cat. No. PPH05LXX
 Cat. No. PPH05RXX



Cat. No. PPH301XX

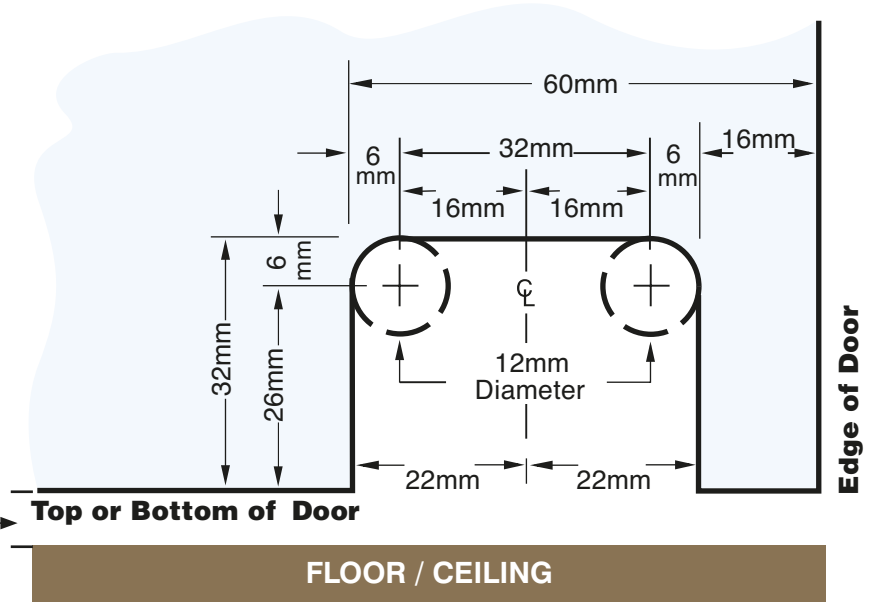


CRL Junior Prima Series

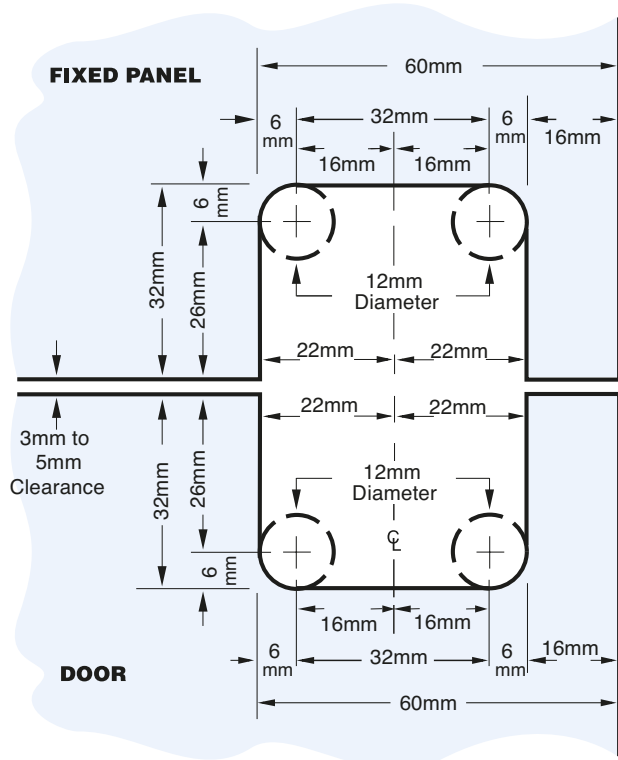
Cat. No. JRPPH01XX



10mm Suggested Gap



Cat. No. JRPPH02XX

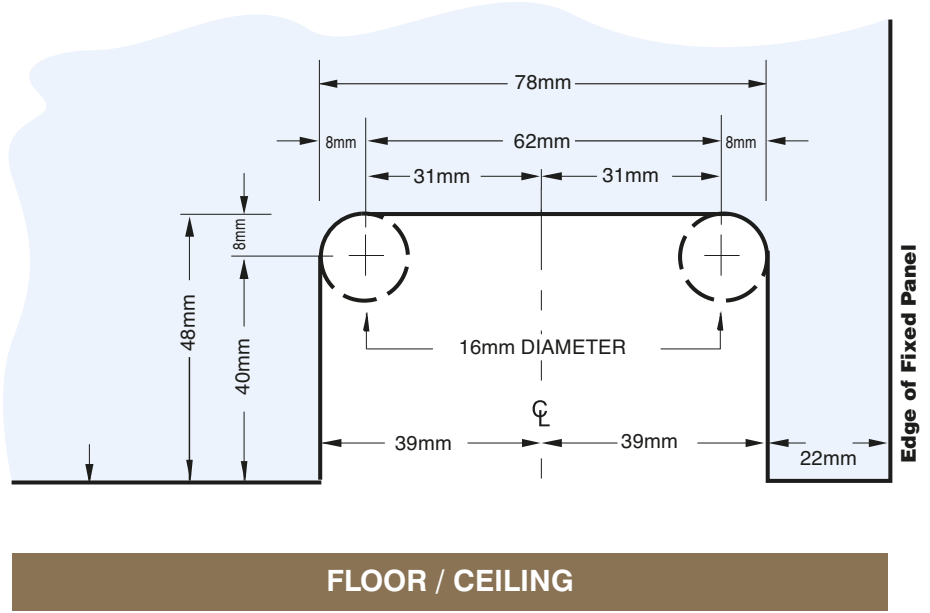


CRL Senior Prima Series

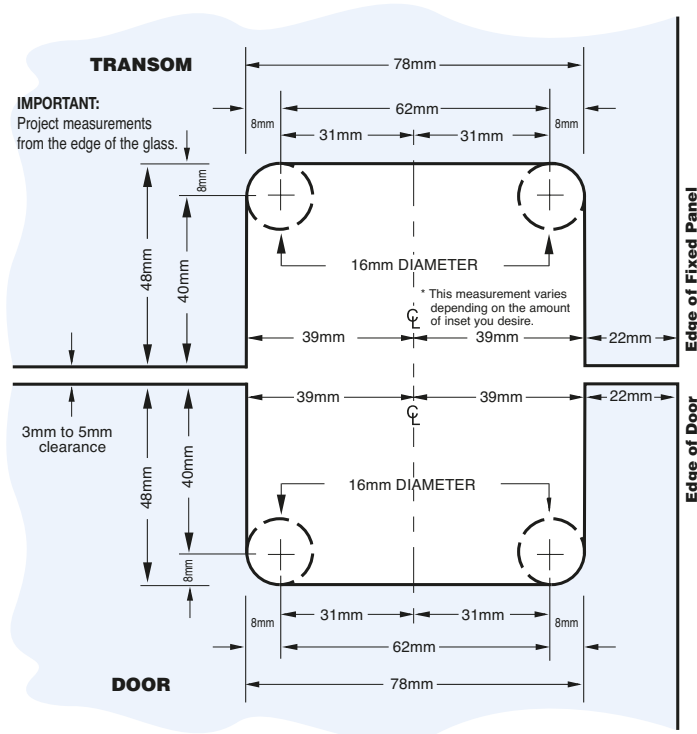
Cat. No. SRPPH01XX



14mm
Suggested Gap

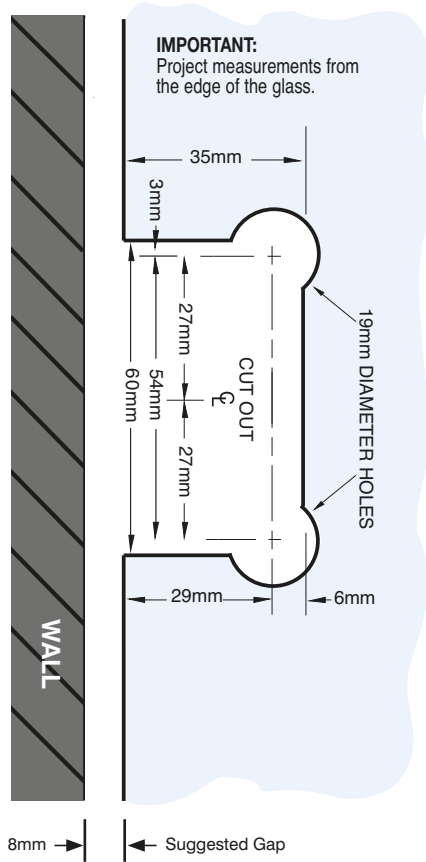


Cat. No. SRPPH02XX

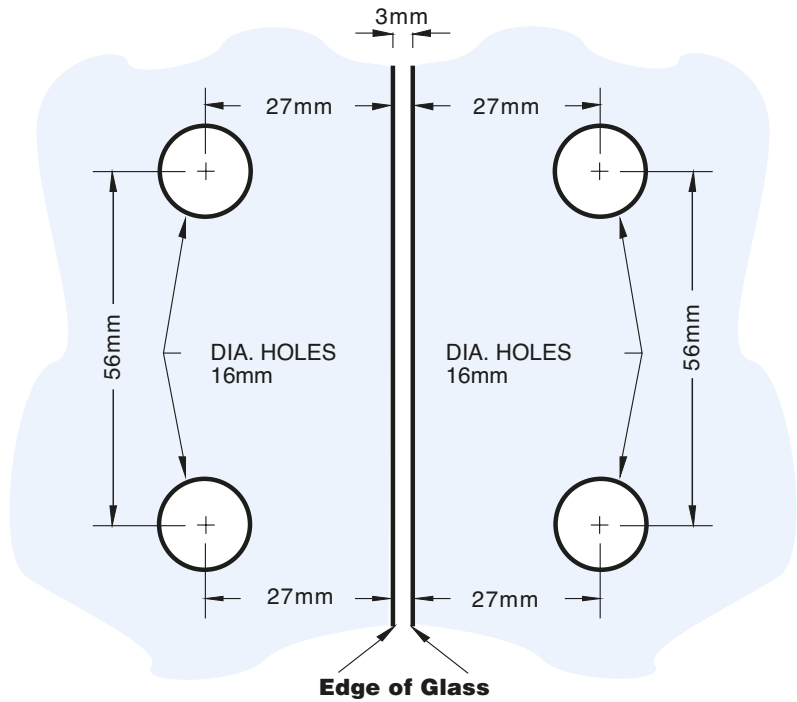


CRL Petite Series

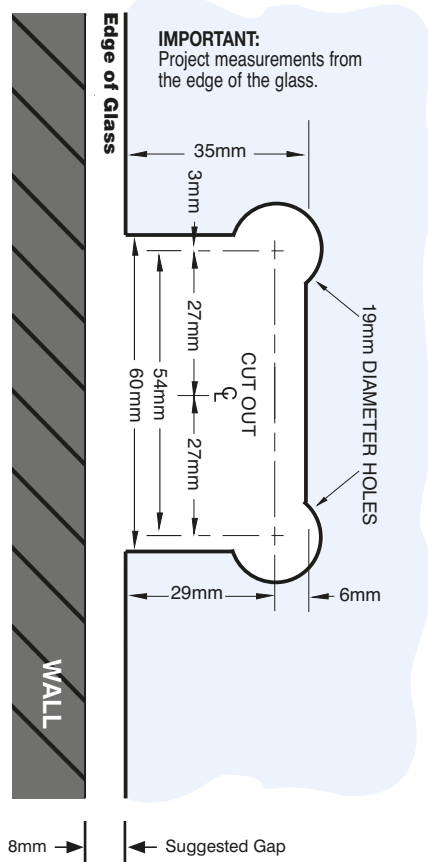
Cat. No. PET044XX



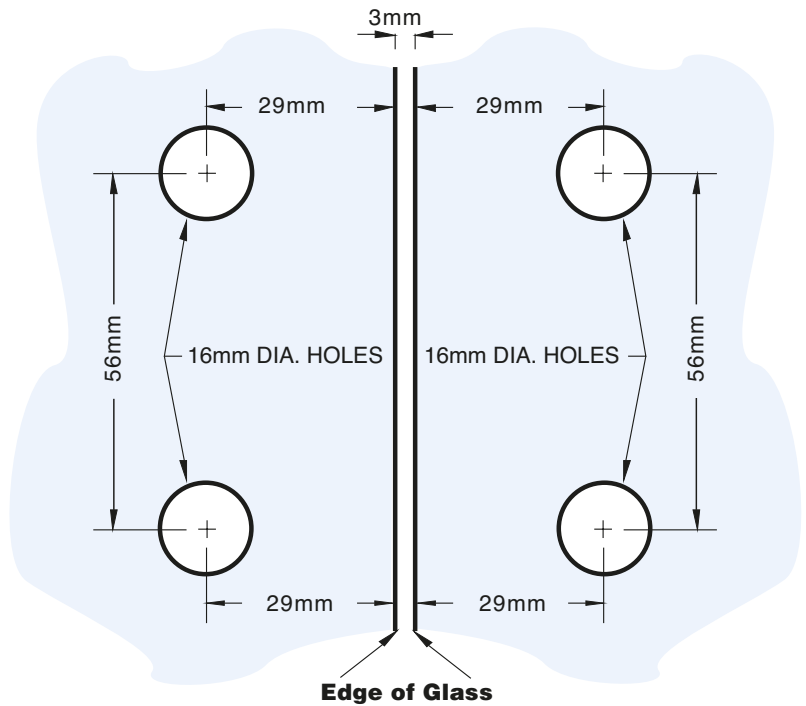
Cat. No. PET181XX



Cat. No. PET037XX

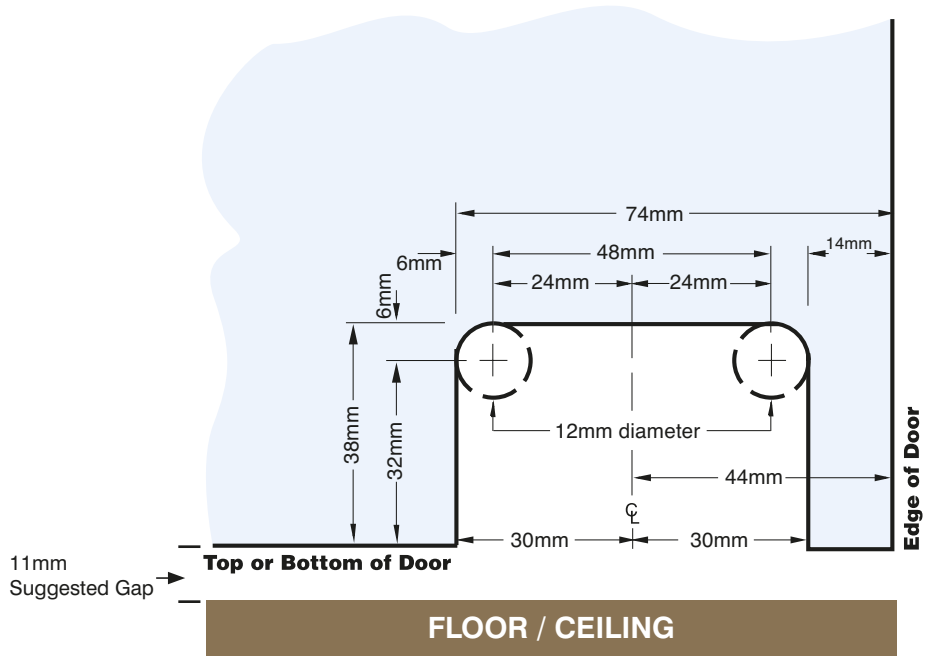


Cat. No. PET182XX

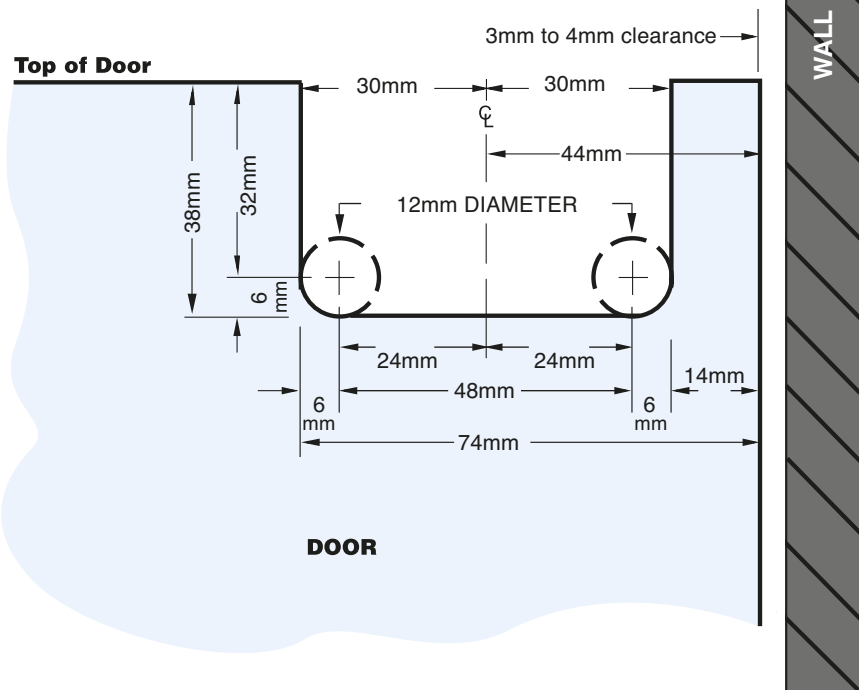


CRL Cardiff Series

Cat. No. CAR01XX

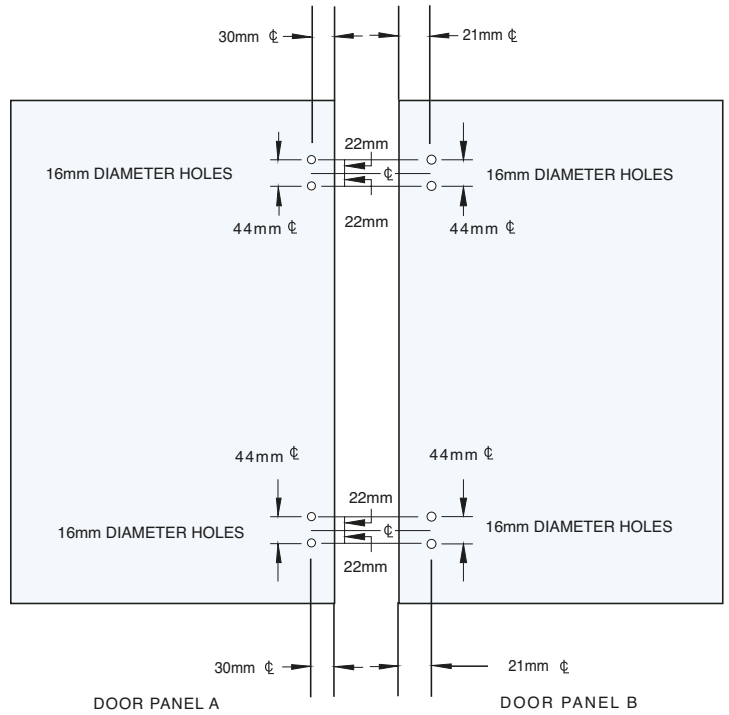
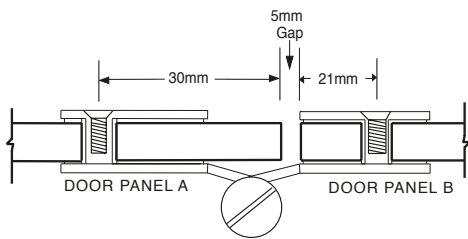


Cat. No. CAR05LXX
Cat. No. CAR05RXX

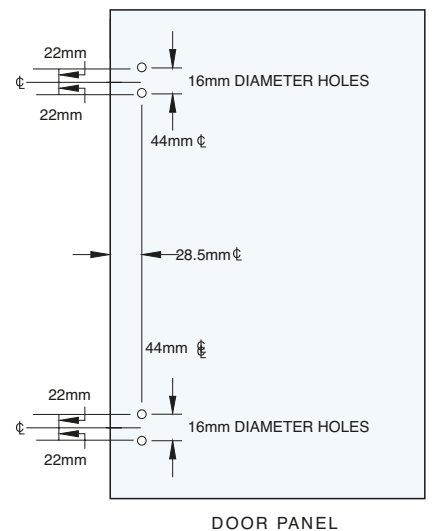
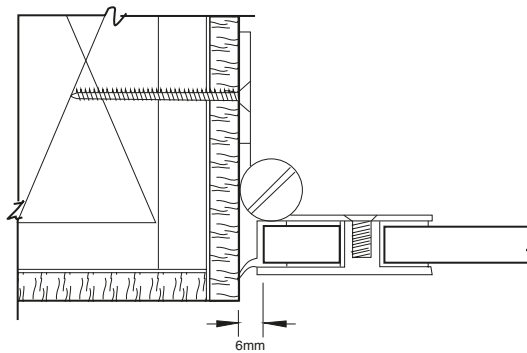


CRL Zurich Series

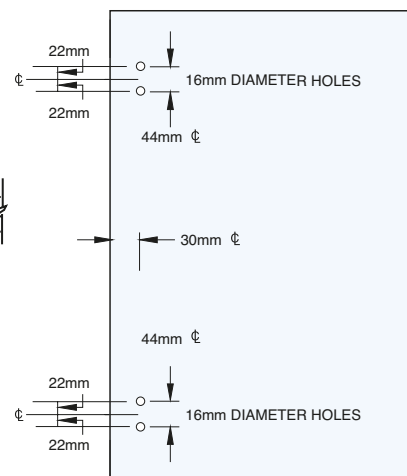
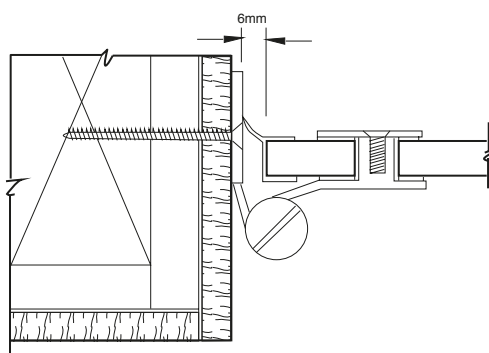
Cat. No. ZUR07XX



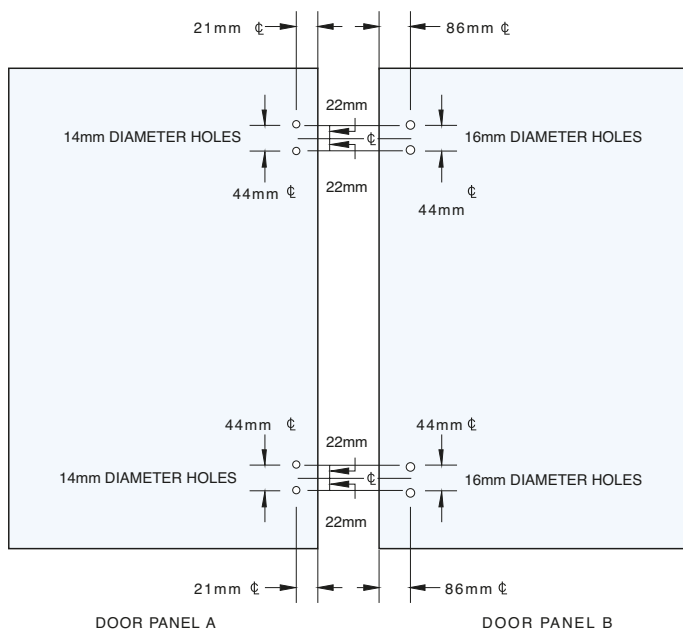
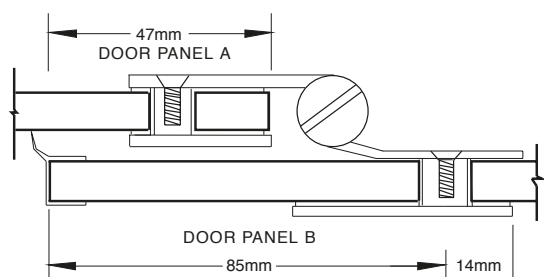
Cat. No. ZUR03XX



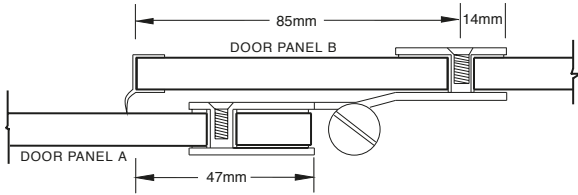
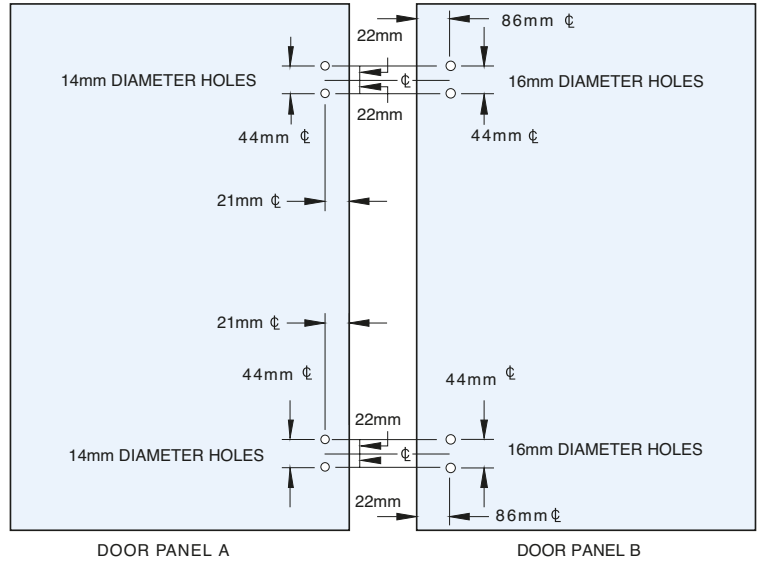
Cat. No. ZUR05XX



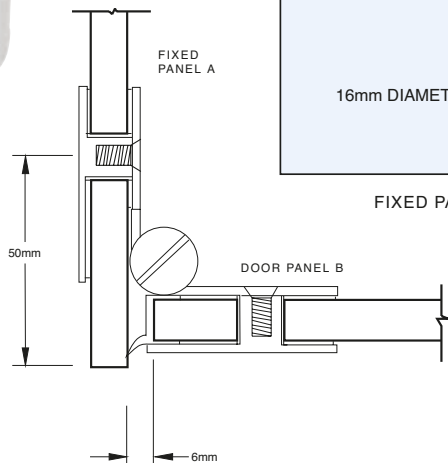
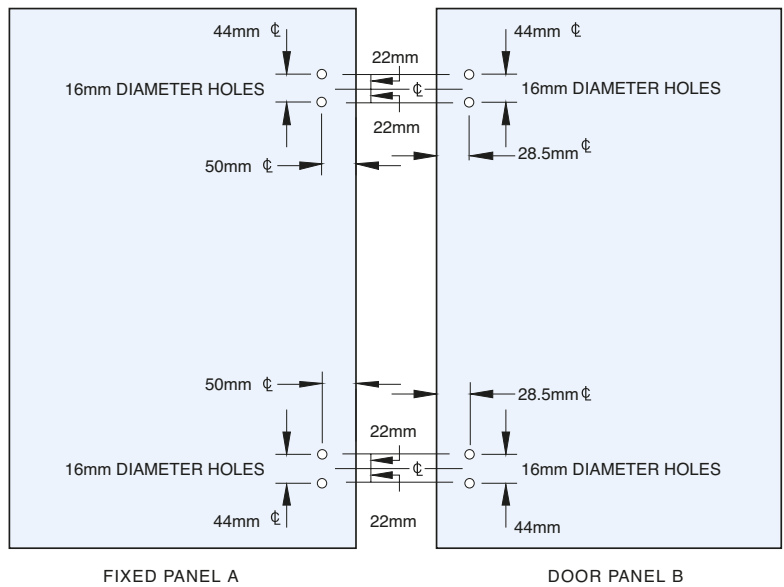
Cat. No. ZUR02XX



Cat. No. ZUR01XX

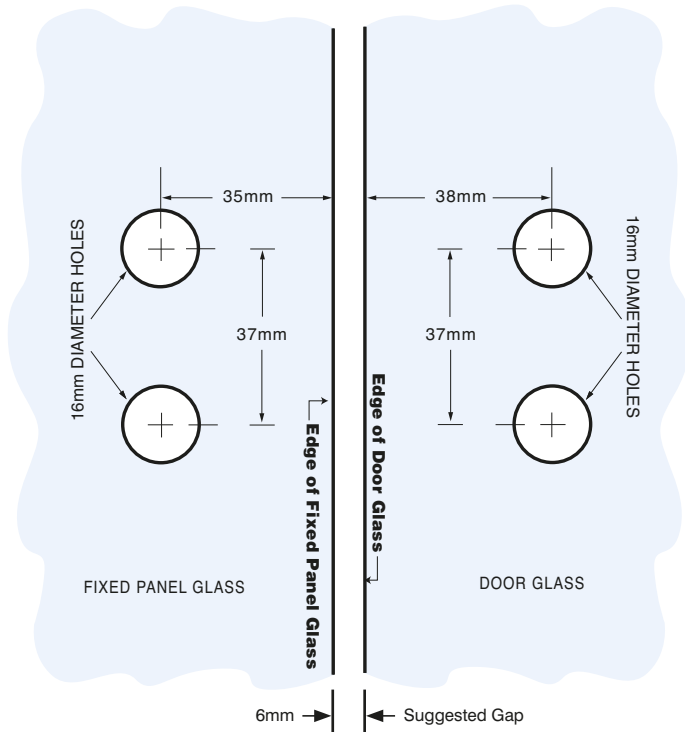


Cat. No. ZUR04XX

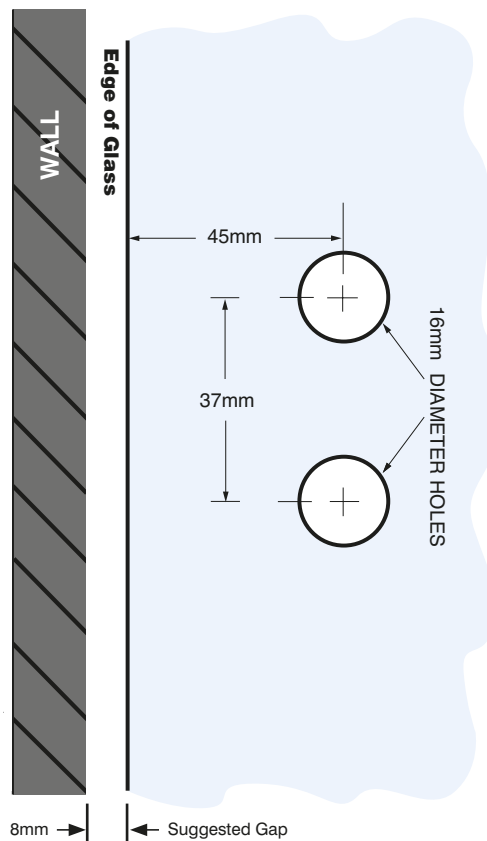


CRL Regal Series

Cat. No. REG185XX



Cat. No. REG025XX



CRL Riviera Series

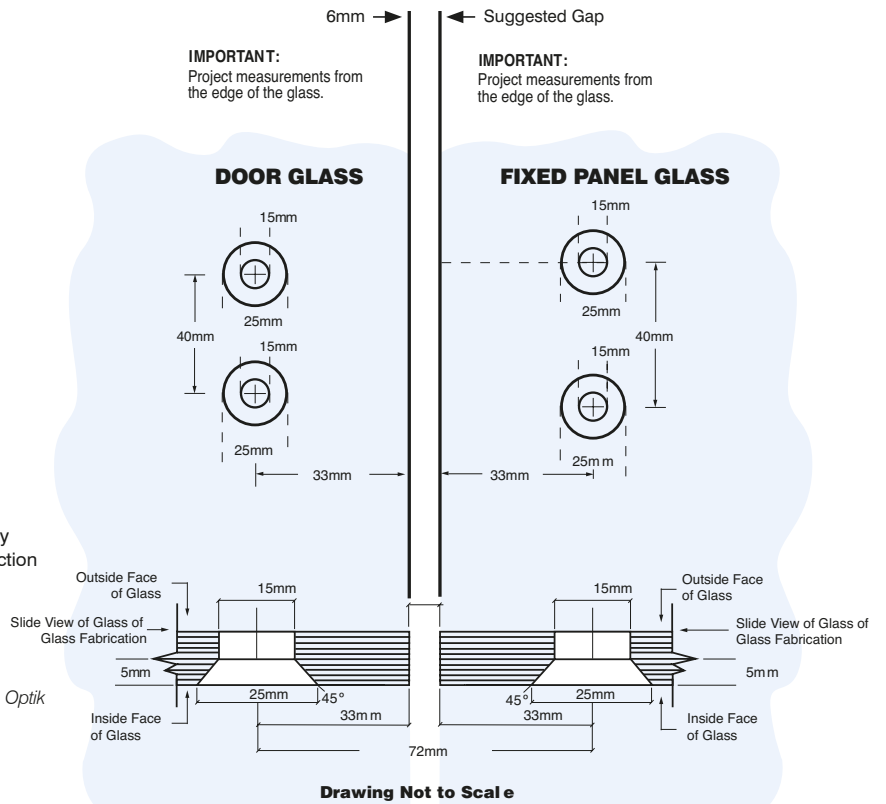
Cat. No. R1V180LNXX
Cat. No. R1V180RNXX



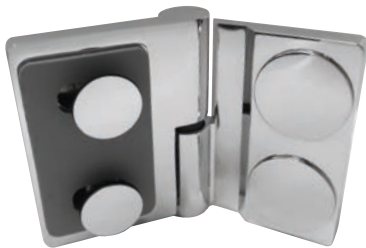
The exact depth of countersink should be determined by test fitting the cap on a test piece of glass before production begins. Occasional random sampling of holes should be done to assure consistent fabrication.

Wir empfehlen vor der Produktion die exakte Tiefe der Senkbohrung, über eine Testbohrung dem flächenbündigen Kappenbauteil, anzupassen. Hierdurch erzielen Sie die beste Optik (Flächenbündigkeit).

La profondeur exacte de fraisage doit être déterminée en mettant en place le bouchon sur un morceau de verre d'essai avant que la production ne commence. Un échantillonnage aléatoire et occasionnelle des trous doit être fait pour assurer une fabrication conforme.



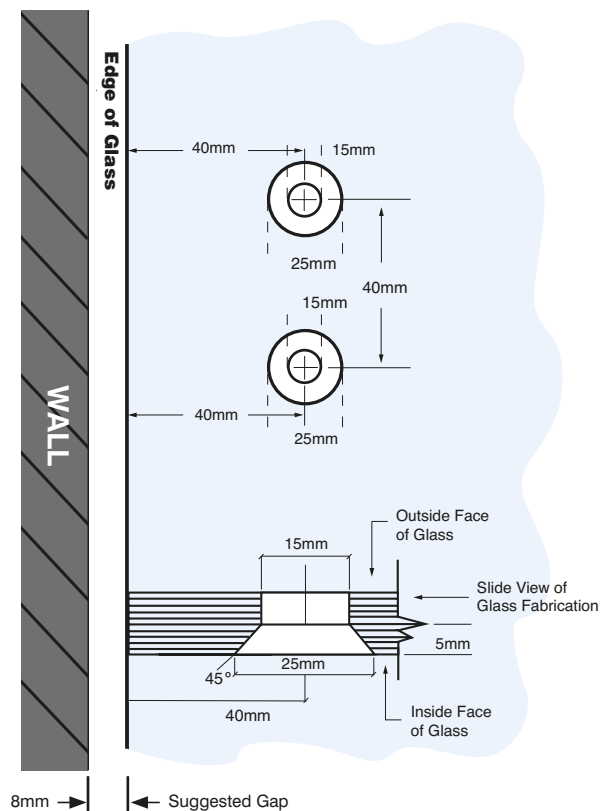
Cat. No. R1V044LCH
Cat. No. R1V044RCH



The exact depth of countersink should be determined by test fitting the cap on a test piece of glass before production begins. Occasional random sampling of holes should be done to assure consistent fabrication.

Wir empfehlen vor der Produktion die exakte Tiefe der Senkbohrung, über eine Testbohrung dem flächenbündigen Kappenbauteil, anzupassen. Hierdurch erzielen Sie die beste Optik (Flächenbündigkeit).

La profondeur exacte de fraisage doit être déterminée en mettant en place le bouchon sur un morceau de verre d'essai avant que la production ne commence. Un échantillonnage aléatoire et occasionnelle des trous doit être fait pour assurer une fabrication conforme.





Call FREE on 00 800 0421 6144

Fax FREE on 00 800 0262 3299

Manchester

Charles Babbage Avenue
Kingsway Business Park,
Rochdale, OL16 4NW, England
Tel: +44 (0) 1706 863 600
Fax: +44 (0) 1706 869 860
www.crlaurence.co.uk

Stuttgart

Boschstrasse 7
D-74360 Ilsfeld
Germany
Tel: +49 (0) 7062 915 93 15
Fax: +49 (0) 7062 915 93 16
www.crlaurence.de

France

Boschstrasse 7
D-74360 Ilsfeld
Germany
Tel: +49 (0) 7062 915 93 15
Fax: +49 (0) 7062 915 93 16
www.crlaurence.fr

Copenhagen

Stamholmen 70 Unit B,
DK-2650 Hvidovre
Denmark
Tel: +45 36 72 09 00
Fax: +45 36 70 33 35
www.crlaurence.dk