



MATTE BLACK SHOWER RANGE



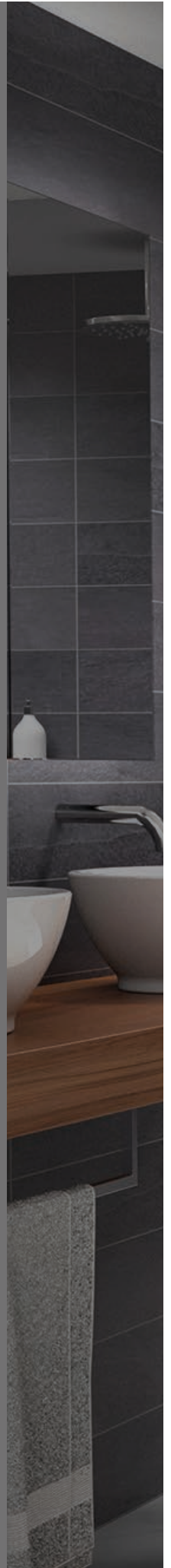
CRL is the world's largest supplier of Frameless Shower Hardware and Accessories.

Inside this brochure you will find a selection of our Matte Black shower range, ideal for creating the perfect, contemporary bathroom.

From minimalistic hardware such as Hinges, Clamps, Handles, Door Knobs and U-Channels to complete Sliding Shower Door Kits, CRL offers the full package of quality hardware and accessories that will fit your space and work in harmony with your design.

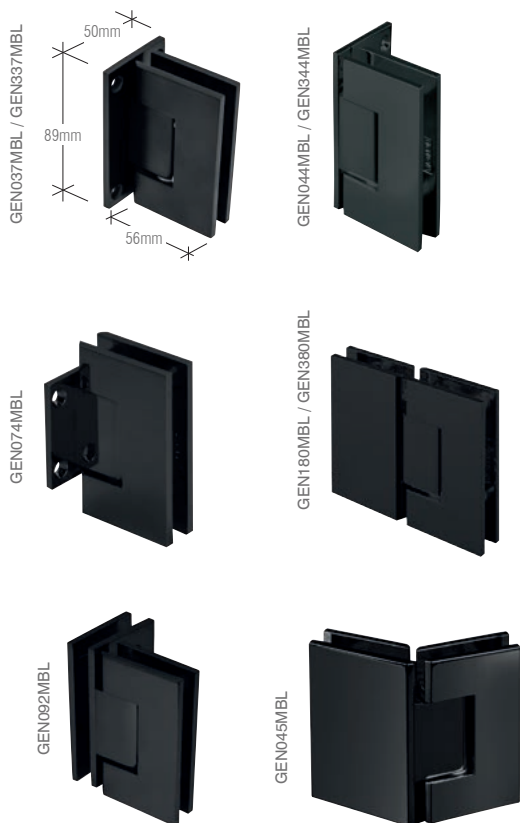
For more information call FREE on
00 800 0421 6144

CRL[®]





Square Edged Hinges



CRL GENEVA SERIES

- For 8 to 12 mm toughened safety glass
- Self-centering when within 15° of closed position
- All models contain a reversible 5° pivot pin. When activated, it allows 5° tighter door closure
- Construction: solid brass

Cat. No. GEN037MBL

Wall Mount Full Back Plate (Factory set for standard closing position)

Cat. No. GEN337MBL

Adjustable Wall Mount Full Back Plate 135° Glass-to-Glass (Factory set for standard closing position)

Cat. No. GEN044MBL

Wall Mount Offset Back Plate (Factory set for standard closing position)

Cat. No. GEN344MBL

Adjustable Wall Mount Offset Back Plate

Cat. No. GEN180MBL

180° Glass-to-Glass (Factory set for standard closing position)

Cat. No. GEN380MBL

Adjustable 180° Glass-to-Glass

Cat. No. GEN074MBL

Wall Mount Short Back Plate (Factory set for standard closing position)

Cat. No. GEN092MBL

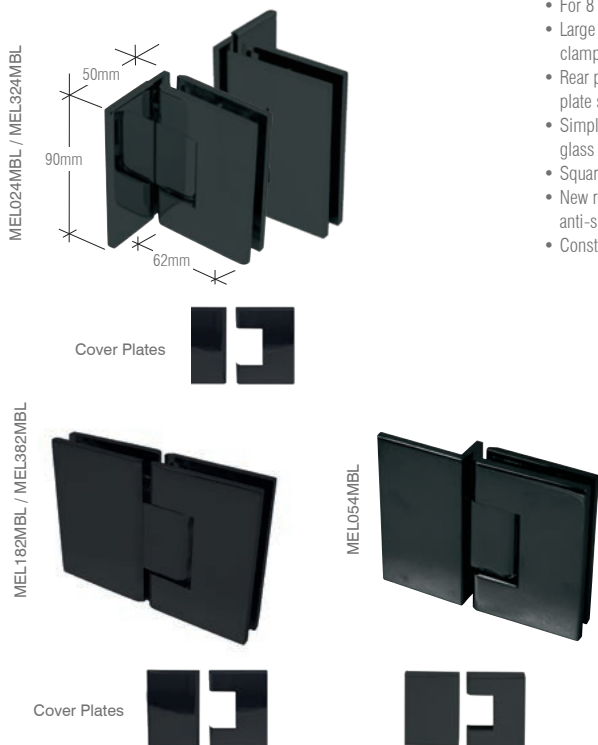
90° Glass-to-Glass (Factory set for standard closing position)

Cat No GEN045MBL

135° Glass-to-Glass (Factory set for standard closing position)

Maximum Capacities	8 mm and 10 mm glass		12 mm glass	
	Weight	Door Width	Weight	Door Width
Using Two Hinges	36 kg	711 mm	36 kg	711 mm
Using Three Hinges	54 kg	813 mm	54 kg	813 mm

*NOTE: Do not exceed maximum door weight or width when choosing proper quantity of hinges.



CRL MELBOURNE SERIES

- For 8 to 12 mm toughened safety glass
- Large rear hinge plates provide more clamping force
- Rear plates to cover wall and clamping plate screws
- Simple rectangular cut-out for ease of glass fabrication
- Square corner hinge design
- New recess gasket technology with anti-slip gasket system
- Construction: solid brass

Cat. No. MEL024MBL

Wall Mount Offset Back Plate with Cover Plate (Factory set for standard closing position)

Cat. No. MEL324MBL

Adjustable Wall Mount Offset Back Plate with Cover Plate (Factory set for standard closing position)

Cat. No. MEL182MBL

180° Glass-to-Glass with Cover Plate (Factory set for standard closing position)

Cat. No. MEL382MBL

Adjustable 180° Glass-to-Glass with Cover Plate (Factory set for standard closing position)

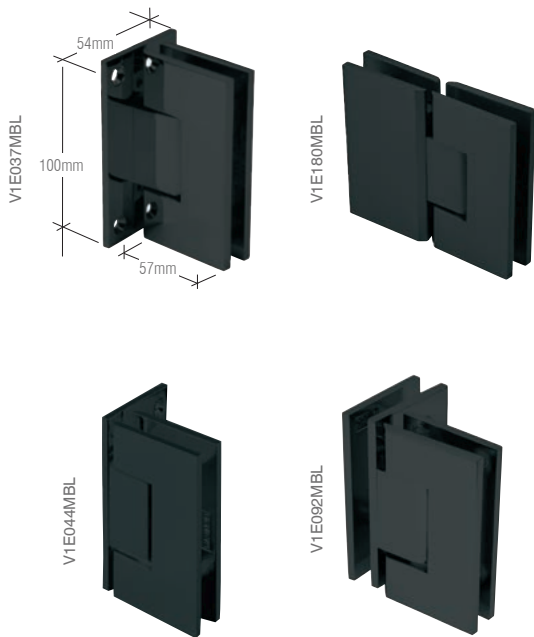
Cat. No. MEL054MBL

Face Mount Hinge with Cover Plate (Factory set for standard closing position)

Maximum Capacities	8 mm to 12 mm glass	
	Weight	Door Width
Using Two Hinges	45 kg	762 mm
Using Three Hinges	54 kg	864 mm

*NOTE: Do not exceed maximum door weight or width when choosing proper quantity of hinges.

Special Feature Cover Plate Series



CRL VIENNA SERIES

- For 10 to 12 mm toughened safety glass
- Provides a solution for wider, heavier doors that traditional hinges are not strong enough to support
- Self centering when within 15° of closed position
- Square corner hinge design
- Construction: solid brass

Cat. No. V1E037MBL
Wall Mount Full Back Plate
(Factory set for standard closing position)

Cat. No. V1E180MBL
180° Glass-to-Glass
(Factory set for standard closing position)

Cat. No. V1E044MBL
Wall Mount Offset Back Plate
(Factory set for standard closing position)

Cat. No. V1E092MBL
90° Glass-to-Glass

All Vienna hinges except V1E044MBL

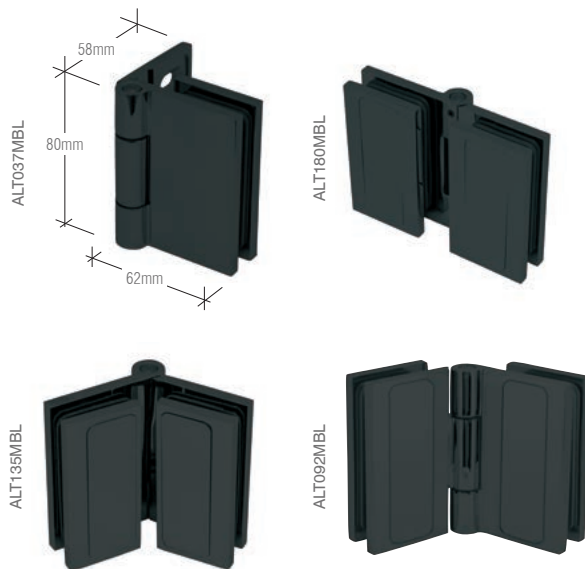
Maximum Capacities	10 mm glass		12 mm glass	
	Weight	Door Width	Weight	Door Width
Using Two Hinges	50 kg	914 mm	50 kg	914 mm
Using Three Hinges	63 kg	914 mm	63 kg	914 mm

*NOTE: Do not exceed maximum door weight or width when choosing proper quantity of hinges.

For V1E044MBL

Maximum Capacities	10 mm glass		12 mm glass	
	Weight	Door Width	Weight	Door Width
Using Two Hinges	45 kg	864 mm	45 kg	813 mm
Using Three Hinges	59 kg	864 mm	59 kg	813 mm

*NOTE: Do not exceed maximum door weight or width when choosing proper quantity of hinges.



CRL ALTEA SERIES

- For 6 to 10 mm toughened safety glass
- Self closes from approximately 60°
- Includes cover plates
- Construction: solid brass

Cat. No. ALT037MBL
Wall Mount Full Back Plate

Cat. No. ALT180MBL
180° Glass-to-Glass

Cat. No. ALT135MBL
135° Glass-to-Glass

Cat. No. ALT092MBL
90° Glass-to-Glass

Special Feature Cover Plate Series

Maximum Capacities	6 mm to 10 mm glass	
	Weight	Door Width
Using Two Hinges	36 kg	710 mm
Using Three Hinges	54 kg	810 mm

*NOTE: Do not exceed maximum door weight or width when choosing proper quantity of hinges.

Square Edged Clamps



Cat. No. ALTCL90MBL
Large Glass-to-Wall Clamp
Size: 60 mm W x 80 mm H



Cat. No. ALTC90MBL
90° Glass-to-Wall Clamp
Size: 60 mm W x 40 mm H



Cat. No. ALTC380MBL
Adjustable Glass-to-Glass Clamp
Size: 60 mm W x 40 mm H



Cat. No. ALTC337MBL
Adjustable Glass-to-Wall Clamp
Size: 60 mm W x 42 mm H



Cat. No. ALTCL180MBL
180° Glass-to-Glass Clamp
Size: 105 mm W x 80 mm H

Specifications

Glass Thickness: 6 mm to 10 mm

Construction: Solid Brass

Cut-Out: Required

Includes: Gaskets, screws and cover plates



Cat. No. SCU4MBL
Square Wall Mount Clamp
(Hole-in-Glass Style)

Size: 51 mm W x 51 mm H



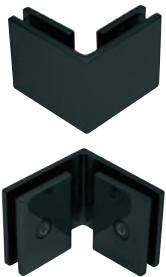
Cat. No. SGPU1MBL
Square Wall Mount Clamp
(Notch-in-Glass Style)

Size: 51 mm W x 51 mm H



Cat. No. SGC180MBL
Square 180°
Glass-to-Glass Clamp

Size: 127 mm W x 51 mm H



Cat. No. SGC90MBL
Square 90°
Glass-to-Glass Clamp

Each Leg Size:
64 mm W x 51 mm H



Cat. No. SGC0F90MBL
Square 90° Glass-to-Glass
Clamp Open Face

Each Leg Size:
44 mm W x 44 mm H



Cat. No. GE90SMBL
Wall Mount Bracket

Clamp Size:
54 mm W x 89 mm H

Leg Size:
49 mm W x 89 mm H



Cat. No. SGC037MBL
Fixed Panel Square Clamp
(with Small Leg)

Clamp Size:
51 mm W x 51 mm H

Leg Size:
35 mm W x 51 mm



Cat. No. SGC186MBL
Square Wall Mount Movable
Transom Clamp

Size: 51 mm W x 51 mm full H



Cat. No. SGC135MBL
Square 135°
Glass-to-Glass Clamp

Each Leg Size:
64 mm W x 51 mm H



Cat. No. SGC039MBL
Fixed Panel Square Clamp
(with Large Leg)

Clamp Size:
51 mm W x 51 mm H

Leg Size:
51 mm W x 51 mm H



Cat. No. SGC188MBL
Square 180° Glass-to-Glass
Movable Transom Clamp

Size: 103 mm W x 51 mm H

Specifications

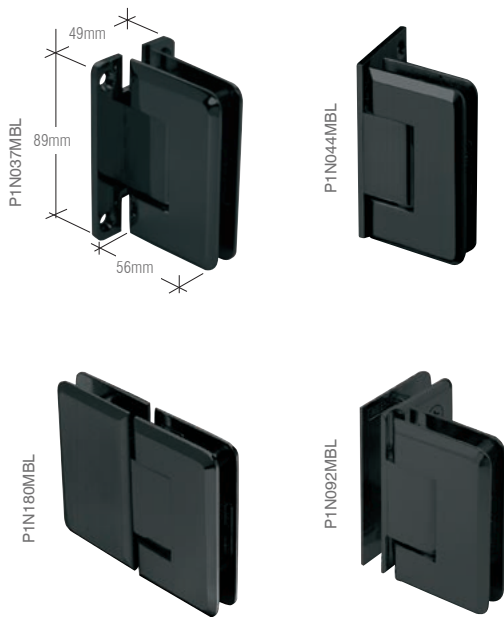
Glass Thickness: 10 mm to 12 mm
(GE90SMBL: 8 mm to 12 mm)

Construction: Solid Brass

Glass Fabrication Required: SGPU1 requires notch; other clamps require holes or hole and notch combination

Includes: Mounting screws and gaskets

Bevelled Edged Hinges



CRL PINNACLE SERIES

- For 8 to 12 mm toughened safety glass
- Self-centering when within 15° of closed position
- Wall Mount hinges and 180° Glass-to-Glass hinge contains a reversible 5° pivot pin for a tighter closure into shower interior
- Bevelled edge design
- Construction: solid brass

Cat. No. P1N037MBL
Wall Mount Full Back Plate
(Factory set for standard closing position)

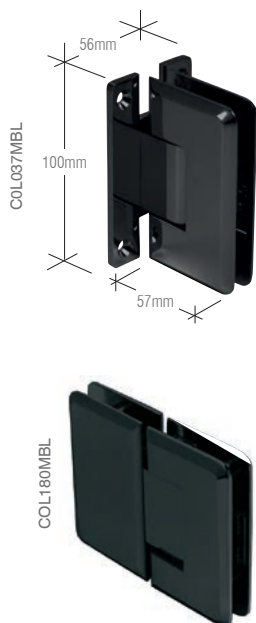
Cat. No. P1N044MBL
Wall Mount Offset Back Plate
(Factory set for standard closing position)

Cat. No. P1N180MBL
180° Glass-to-Glass
(Factory set for standard closing position)

Cat. No. P1N092MBL
90° Glass-to-Glass
(Factory set for standard closing position)

Maximum Capacities	8 mm and 10 mm glass		12 mm glass	
	Weight	Door Width	Weight	Door Width
Using Two Hinges	36 kg	711 mm	36 kg	711 mm
Using Three Hinges	54 kg	813 mm	54 kg	813 mm

*NOTE: Do not exceed maximum door weight or width when choosing proper quantity of hinges.



CRL COLOGNE SERIES

- For 10 to 12 mm toughened safety glass
- Self-centering when within 15° of closed position
- Bevelled edge design
- Construction: solid brass

Cat. No. C0L037MBL
Wall Mount Full Back Plate
(Factory set for standard closing position)

Cat. No. C0L180MBL
180° Glass-to-Glass
(Factory set for standard closing position)

Maximum Capacities	10 mm glass		12 mm glass	
	Weight	Door Width	Weight	Door Width
Using Two Hinges	50 kg	914 mm	50 kg	914 mm
Using Three hinges	63 kg	914 mm	63 kg	914 mm

Bevelled Edged Clamps



Cat. No. BCU4MBL
Square Wall Mount Clamp
(Hole-in-Glass Style)
Size: 51mm W x 51mm H



Cat. No. BGC180MBL
Square 180° Glass-to-Glass Clamp
Size: 127 mm W x 51 mm H



Cat. No. BGC186MBL
Square Wall Mount
Movable Transom Clamp
Size: 51 mm W x 51 mm H



Cat. No. BGSU1MBL
Square Wall Mount Clamp
(Notch-in-Glass Style)
Size: 51 mm W x 51 mm H



Cat. No. BGC135MBL
Square 135° Glass-to-Glass Clamp
Each Leg Size: 64 mm W x 51 mm H



Cat. No. BGC90MBL
Square 90° Glass-to-Glass Clamp
Each Leg Size: 64 mm W x 51 mm H



Cat. No. BGC188MBL
Square 180° Glass-to-Glass
Movable transom Clamp
Size: 103 mm W x 51 mm H



Cat. No. GCB182MBL
180 Degree Traditional Style Split
Face and "Y" Inline Glass-to-Glass Clamp
Size: 89 mm W x 44 mm H
*An additional set of gaskets is required for
8 mm glass (UCG77)



Cat. No. UC77MBL
Traditional Style Fixed Panel U-Clamp
Size: 44 mm W x 44 mm H
*An additional set of clear gaskets (UCG77)
is required for 8 mm glass.

Specifications

Glass Thickness: 10 mm to 12 mm
(GCB182MBL: 8 mm to 12 mm)
(UC77MBL: 8 mm to 12 mm)

Construction: Solid Brass

Glass Fabrication Required: All clamps require holes

Includes: Mounting screws and gaskets

SDK160MBL



SDK106MBL

CRL SHOWER DOOR KNOB

- For 6 to 12 mm toughened safety glass
- Attractive ribbed appearance
- 12 mm diameter hole required

Cat. No. SDK160MBL
Back-to-Back Square Style

Cat. No. SDK106MBL
Back-to-Back Contemporary Style

CRL BACK-TO-BACK PADDLE KNOB

- For 6 to 12 mm toughened safety glass
- Flat "paddle" shape appearance with square corners
- Two 12 mm diameter holes required

Cat. No. SDK180MBL
Back-to-Back Paddle Style



CRL LADDER STYLE BACK-TO-BACK PULL HANDLE

- For 8 to 12 mm toughened safety glass
- 12 mm diameter hole required
- Mounting holes 152 and 203 mm Centre-to-Centre

Cat. No. LP6X6MBL
152 mm Handle, 19 mm Diameter

Cat. No. LP8X8MBL
203 mm Handle, 19 mm Diameter

LP6X6MBL/LP8X8MBL



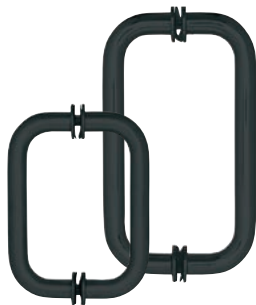
CRL BM SERIES BACK-TO-BACK PULL HANDLE

- For 6 to 12 mm toughened safety glass
- 12 mm diameter hole required
- Mounting holes 152 and 203 mm Centre-to-Centre
- With metal washers

Cat. No. BM6X6MBL
152 mm Handle, 19 mm Diameter

Cat. No. BM8X8MBL
203 mm Handle, 19 mm Diameter

BM6X6MBL



BM8X8MBL

Accessories



CRL "SQ" SERIES COMBINATION PULL HANDLES

- For 6 to 12 mm toughened safety glass
- Combination set includes one towel bar and one pull handle
- 12 mm diameter hole required
- 19 mm square tubing

Cat. No. SQ6X18MBL
152 mm Centre-to-Centre Pull Handle and 457 mm Centre-to-Centre Towel Bar

Cat. No. SQ8X18MBL
203 mm Centre-to-Centre Pull Handle and 457 mm Centre-to-Centre Towel Bar



CRL "SQ" SERIES SINGLE-SIDED TOWEL BAR

- For 6 to 12 mm toughened safety glass
- 12 mm diameter hole required
- Mounting holes 457 and 610 mm Centre-to-Centre
- 19 mm square tubing

Cat. No. SQ18MBL
457 mm Towel Bar

Cat. No. SQ24MBL
610 mm Towel Bar

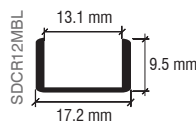
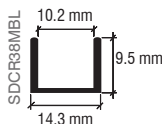
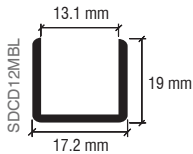
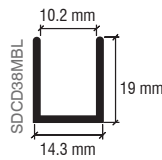
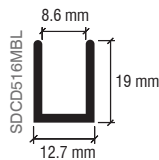


CRL MT SERIES SINGLE-SIDED TOWEL BAR

- For 6 to 12 mm toughened safety glass
- 12 mm diameter hole required
- Mounting holes 457 and 610 mm Centre-to-Centre
- With metal washers
- 19 mm square tubing

Cat. No. MT18MBL
457 mm Towel Bar

Cat. No. MT24MBL
610 mm Towel Bar



CRL ALUMINIUM U-CHANNEL

- For monolithic toughened glass
- Length: 2.49 m
- Pocket does excellent job of securing fixed panels of glass
- Wet glazed with clear silicone to secure glass
- End caps offered to conceal ends of channel

Cat. No. SDCD516MBL
Deep U-Channel
• For 8 mm Glass

Cat. No. SDCD38MBL
Deep U-Channel
• For 10 mm Glass

Cat. No. SDCD12MBL
Deep U-Channel
• For 12 mm Glass

Cat. No. SDCR38MBL
Regular U-Channel
• For 10 mm Glass

Cat. No. SDCR12MBL
Regular U-Channel
• For 12 mm Glass



CRL END CAPS FOR ALUMINIUM U-CHANNEL

- Covers open ends of SDCD38 and SDCD12 U-Channels
- Easy to install

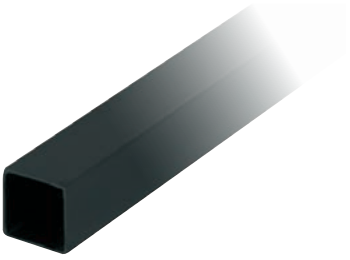
Cat. No. SDCEC38MBL
• For SDCD38MBL

Cat. No. SDCEC12MBL
• For SDCD12MBL

Support Bars



SQ39MBL / SQ59MBL



CRL SQUARE SERIES SUPPORT BAR AND BRACKETS

- For 6 mm to 12 mm
- Components for the fabrication of custom support bars and brackets to meet your exact needs
- Square tubing matches geometry of many popular CRL hinges
- Provides fixed panel support for enclosures not going to the ceiling
- 19 mm square tubing

Cat. No. SQ39MBL
1 m Length Support Bar

Cat. No. SQ59MBL
1.5 m Length Support Bar

Cat. No. SQ41MBL
Swiveling U-Bracket
• For 6 to 8 mm glass

Cat. No. SQ42MBL
Swiveling U-Bracket
• For 10 to 12 mm glass

Cat. No. SQ43MBL
Movable Bracket
• For 6 to 8 mm glass

Cat. No. SQ45MBL
Adjustable Corner Bracket

Cat. No. SQ46MBL
Wall Mount Bracket

Cat. No. SQ49MBL
Adjustable Wall Mount Bracket

Cat. No. SQ50MBL
"T" Junction Bracket

SQ41MBL / SQ42MBL



SQ43MBL



SQ45MBL



SQ46MBL



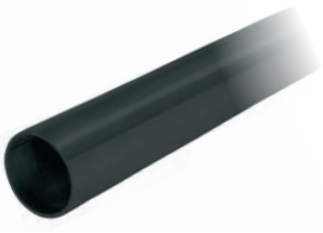
SQ49MBL



SQ50MBL



S1MBL / S2MBL



CRL ROUND SERIES SUPPORT BAR AND BRACKETS

- For 6 mm to 12 mm
- Components for the fabrication of custom support bars and brackets to meet your exact needs
- Provides fixed panel support for enclosures not going to the ceiling
- 19 mm diameter tubing

Cat. No. S1MBL
1 m Length Support Bar

Cat. No. S2MBL
1.5 m Length Support Bar

Cat. No. S3MBL
Wall Mount Fitting

Cat. No. S4MBL
U-Bracket
• For 6 to 8 mm glass

Cat. No. S5MBL
U-Bracket
• For 10 to 12 mm glass

Cat. No. S6MBL
Movable U-Bracket
• For 6 to 8 mm glass

Cat. No. S7MBL
Movable U-Bracket
• For 10 to 12 mm glass

Cat. No. S8MBL
90° Corner Bracket

Cat. No. S9MBL
Vertical Support Bracket
• For 6 to 8 mm glass

Cat. No. S910MBL
Vertical Support Bracket
• For 10 to 12 mm glass

Cat. No. S12MBL
Wall Mount Fitting

Cat. No. S13MBL
Glass Mount Fitting
• For 6 to 12 mm glass

S3MBL



S4MBL / S5MBL



S6MBL / S7MBL



S8MBL



S9MBL / S910MBL



S12MBL



S13MBL





Serenity Series

Image shown here:
SER90MBL



CRL Deluxe Serenity Series Sliding Shower Door System

- Unique 180° system with rollers above and below the header bar
- System features one sliding door and one fixed panel
- Fixed and sliding glass panels are reversible for installation (glass not included)
- Use of minimal hardware gives door an almost floating appearance
- Accessory kit available for 90° return panels (SER90MBL)
- For 8 to 10 mm monolithic toughened glass

Deluxe 180° Degree Kit Includes:

- 1 - 2000 mm length header support bar
- 4 - Rollers
- 1 - Stopper
- 2 - Track holder fittings for wall
- 2 - Track holder fittings for fixed panel
- 1 - Thru-glass pull
- 1 - Door guide
- 1 - 2160 mm length clear L-jamb

Cat. No. SER78MBL

Maximum Capacities	8 mm to 10 mm	
	Weight	Door Width
	40 kg	762 mm

*NOTE: Do not exceed maximum door weight or width.



Cambridge Series

CRL Deluxe 180° Cambridge Series Two Door Bypass Sliding Shower Door System

- Modern two door bypass system
- Top rollers assure easy sliding action
- Available in brushed and polished stainless steel and matte black finish
- Glass fabrication required: 2 x 19 mm diameter holes per roller and 2 x 12 mm diameter holes per towel bar
- 90-degree accessory kit also available for shower enclosures with a return panel
- For 8 to 10 mm monolithic toughened glass

Deluxe 180° kit includes:

- 1 - 1854 mm length stainless header bar
- 8 - Stainless steel rollers
- 2 - Stoppers
- 2 - Track holder fittings for wall
- 1 - Bottom guide
- 2 - 610 mm stainless towel bars
- 2 - 2030 mm clear L-jamb
- 2 - 1016 mm bottom sweep with drip rail
- 1 - Tool kit

Cat. No. CAM73MBL

Maximum Capacities	8 mm to 10 mm	
	Weight	Door Width
	38 kg	940 mm

*NOTE: Do not exceed maximum door weight or width.



Contempo Series

CRL Standard 180 Contempo Series Sliding Shower Door System

- Unique "I Beam" header style adds rigidity to enclosure
- Designed for full standing showers or above bath tubs
- Available in brushed and polished stainless steel and matte black finish
- Glass fabrication required: 16 mm diameter hole per hanger
- 90-degree accessory kit also available for shower enclosures with a return panel
- For 8 to 10 mm monolithic toughened glass

Standard 180° kit includes:

- 1 - 1854 mm length "I Beam" header bar
- 4 - Hangers
- 2 - Stoppers
- 2 - Track holder fittings for the wall
- 1 - Bottom guide
- 2 - 2159 mm clear L-jams
- 1 - 1854 mm threshold

Cat. No. CON73MBL

Maximum Capacities	8 mm to 10 mm	
	Weight	Door Width
	38 kg	940 mm

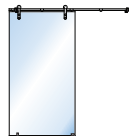
*NOTE: Do not exceed maximum door weight or width.



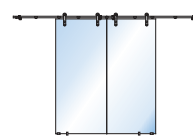
Laguna Series

CRL Laguna Series Sliding Shower Door System

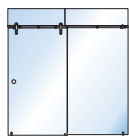
- New 'softbrake' option, for wall mounted kits provides a controlled, quiet closure and prevents the doors from 'slamming' open or closed
- Anti-lift design for added safety
- All kits include fasteners needed for either flush or surface mounting
- For 10 to 12 mm monolithic toughened glass



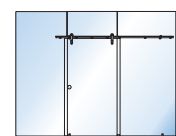
Wall Mount Single Slider Kit
Cat. No. LSWM5MBL
 With Standard Stops
Cat. No. LSWM7MBL
 With Softbrake



Wall Mount Bi-Parting Slider Kit
Cat. No. LSWM6MBL
 With Standard Stops
Cat. No. LSWM8MBL
 With Softbrake



Glass Mount Single Slider Kit
Cat. No. LSGM5MBL
 With Standard Stops



Single Sliding Door Glass Mount Installation Assembly
Cat. No. LSGM6MBL
 With Standard Stops

Maximum Capacities	10 mm to 12 mm		
	Weight	Door Width	Height
	100 kg	960 to 1360 mm	2500 mm

*NOTE: Do not exceed maximum door weight or width.

Call FREE on 00 800 0421 6144

Fax FREE on 00 800 0262 3299



Manchester

Charles Babbage Avenue
Kingsway Business Park,
Rochdale, OL16 4NW, England
Tel: +44 (0) 1706 863 600
Fax: +44 (0) 1706 869 860
crlaurence.co.uk



Stuttgart

Boschstrasse 7
D-74360 Ilsfeld
Germany
Tel: +49 (0) 7062 915 93 15
Fax: +49 (0) 7062 915 93 16
crl.eu



Copenhagen

Stamholmen 70 Unit B,
DK-2650 Hvidovre
Denmark
Tel: +45 36 72 09 00
Fax: +45 36 70 33 35
crlaurence.dk



France

Boschstrasse 7
D-74360 Ilsfeld
Germany
Tel: +49 (0) 7062 915 93 12
Fax: +49 (0) 7062 915 93 16
crlaurence.fr