



NEW

CRL ENTICE® SERIES

**ULTRA NARROW STILES WITH
FULL FRAMED PERFORMANCE**

Entice® Entrance System is the only storefront solution that delivers the aesthetically pleasing qualities of a monolithic frameless glass entrance, plus satisfies new energy code requirements and ASHRAE 90.1 air infiltration criteria.

The first premium storefront of its kind, the Entice® Series retains the elegant appearance of heavy glass storefronts with minimal vertical lines, and features the unique ability to support door handle hardware on 25mm insulating glass panels that accommodate all high solar and thermal efficient glass options, including low-e coatings and tints.

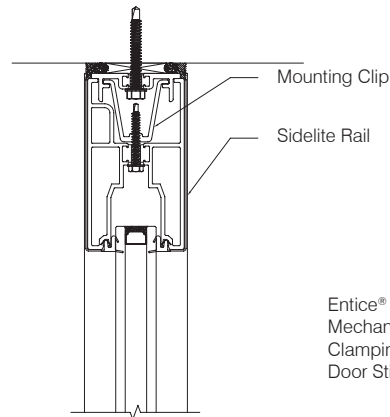
The Entice® Series is clad with finely finished materials of your choice, and does not have break lines where common doors would have removable stops. The system also features proven CRL-U.S. Aluminum CORNER-LOC® Technology, the strongest corner construction in the industry.

CRL®

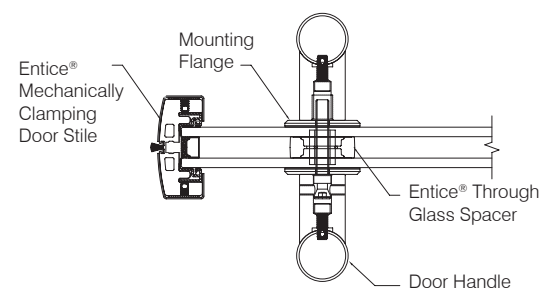
CRL ENTICE® SERIES SPECIFICATIONS



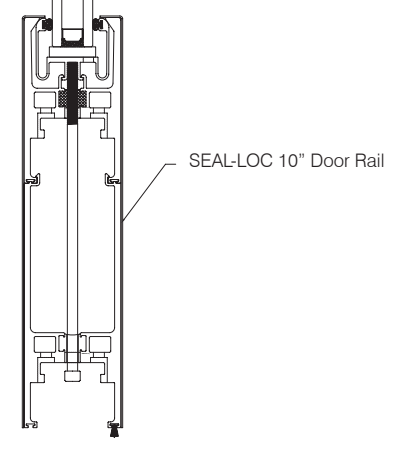
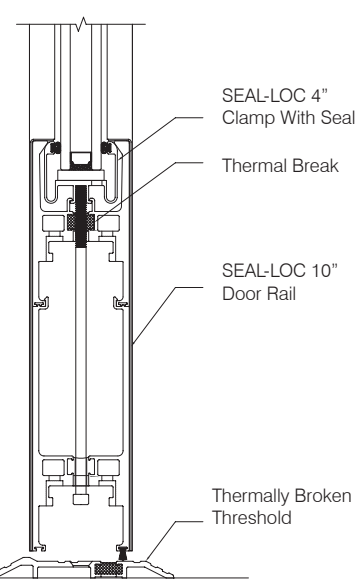
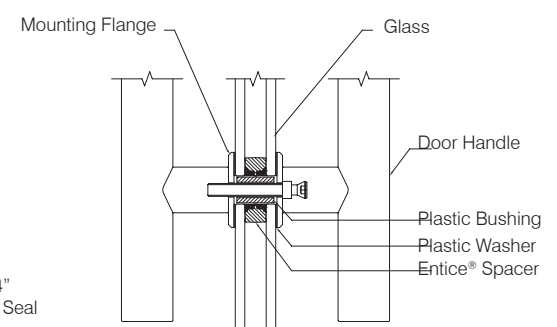
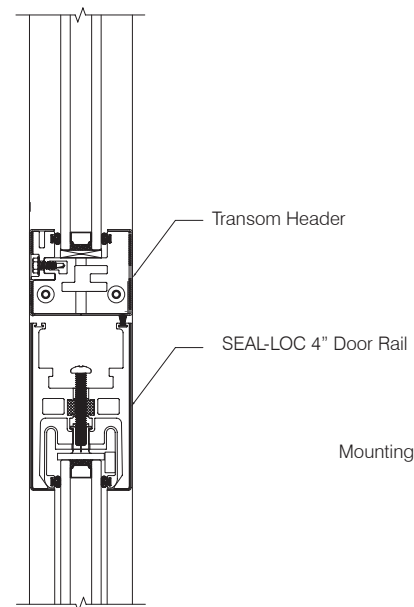
- For use with 25mm insulating glass
- Meets ASHRAE 90.1 Air infiltration and energy code requirements
- Meets the requirements of AAMA SFM-1-14
- California title 24 compliant
- 29mm ultra narrow vertical stiles and mullions with a system depth of only 64mm
- U-factors as low as 0.33
- Thermally broken cladding in a variety of premium finishes
- Patented seal-loc mechanically clamping seals provide ease of fabrication and glass replacement
- Proven CORNER-LOC® technology
- Optional high performance reduced sound transmission door seal kits
- Optional integrated led lighting system
- Complete entrance system including corners, thresholds, wall and doorway jams, vertical mullions, and fixed lite rails



 **CUSTOM MANUFACTURED IN USA**



Section Through Door Stile and Handle



Section Through Door With Transom

Section Through Door Rail and Handle

For information call FREE on 00 800 0421 6144

e: CRL@crlaurence.co.uk f: 00 800 0262 3299 w: crlaurence.co.uk

