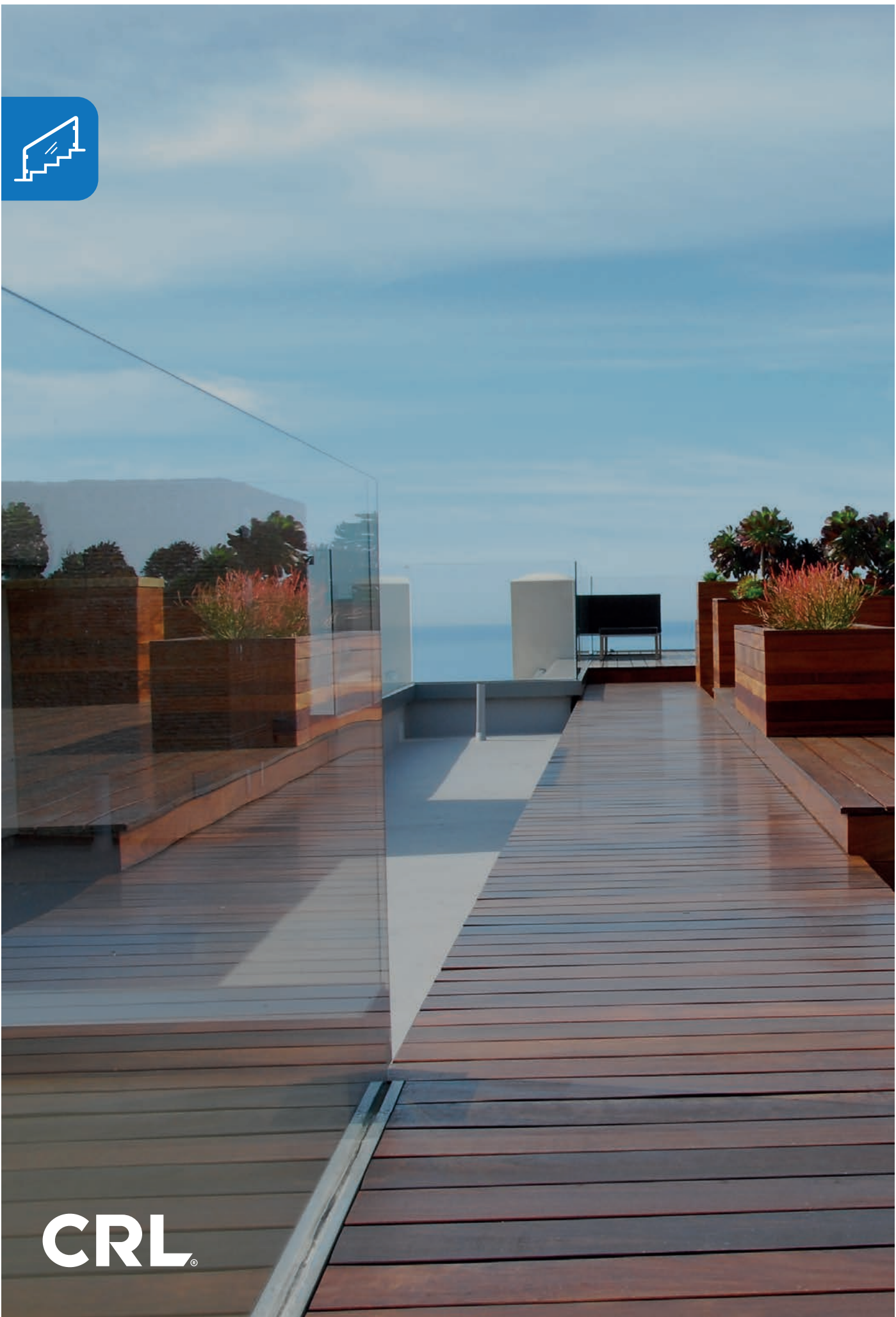




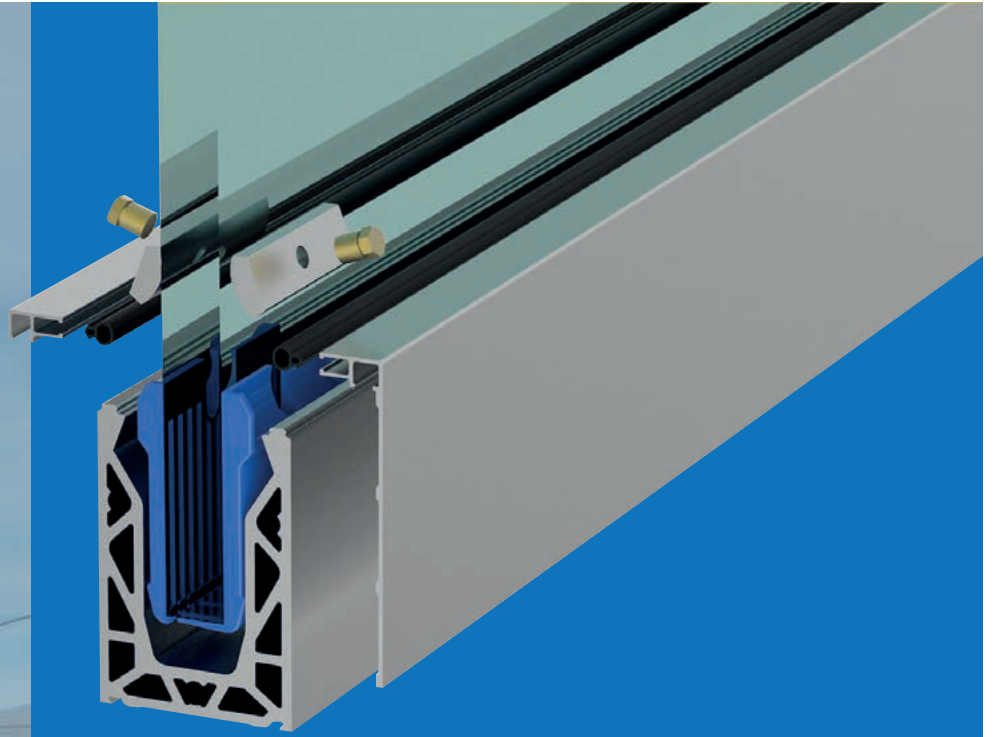
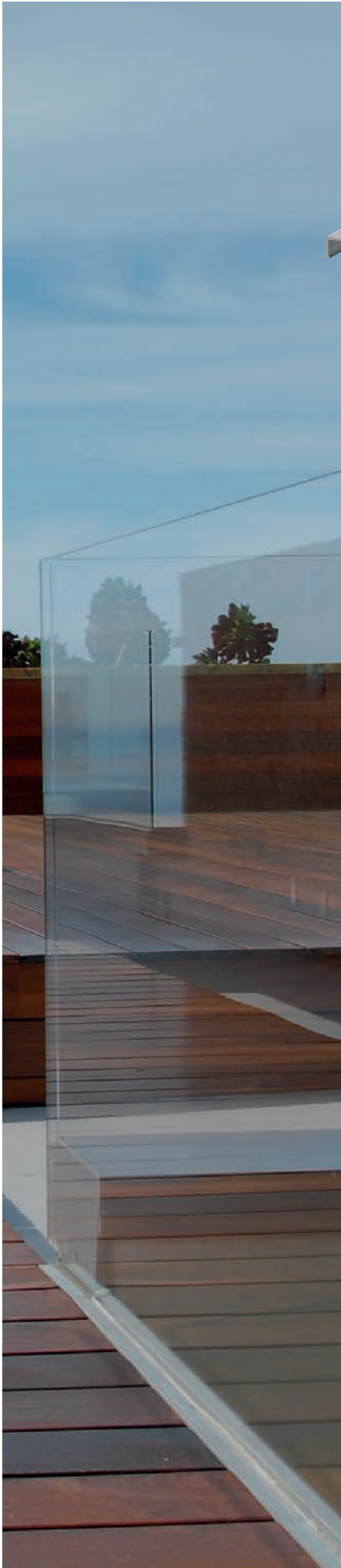
# **CRL ADJUSTABLE GLASS BALUSTRADE SYSTEMS**

**CRL**<sup>®</sup>



**CRL**<sup>®</sup>





## Introducing CRL Posiglaze

CRL Posiglaze is a fully adjustable glass balustrade system that uses a unique clamping design and a quick and easy adjustable method to align glass panels when a handrail is not desired.

# CRL Posiglaze - the fully adjustable aluminium railing system

### FAST INSTALLATION

Designed to be installed without the need of ensuring the fitting surface is totally level.

### FULLY ADJUSTABLE AFTER INSTALLATION

Posiglaze uses a unique, simple adjustment system allowing horizontal alignment of each glass panel.

### LIGHT WEIGHT AND EXTREMELY STRONG

Cleverly designed out of extruded aluminium, saving weight yet keeping strength. For added protection we anodise our system increasing protection against the elements.

### EXCELLENTLY ENGINEERED

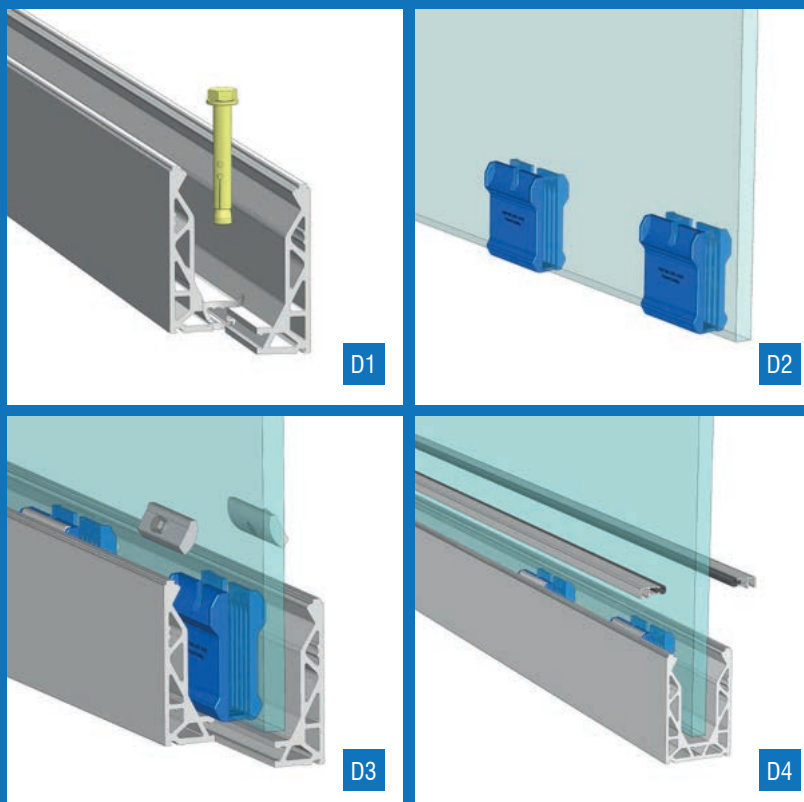
Our system is tested & engineered to meet the strictest building regulations (with the appropriate fixing and glass thickness) in both domestic and commercial installations as per BSi standard 6180:2011.

TESTED TO  
**BS 6180:2011**

### GLASS THICKNESSES

- 12 mm, 15 mm and 19 mm toughened monolithic glass
- 13.52 mm, 17.52 mm and 21.52 mm toughened laminated glass

**NOTE:** ALL GLASS CLAMPS HAVE A 1 mm TOLERANCE TO ACCEPT VARYING INTERLAYER THICKNESSES



## Posiglaze: easy to install, easy to adjust

### STEP 1

Fit the base channel (D1) to the substructure.

### STEP 2

Clip the glass slip clamps (D2) to the bottom edge of the glass panel (We provide different sized clamps for different glass thicknesses).

Place the bolt screws in the pivot clamp (D3).

### STEP 3

Position the glass in the channel. Using the adjustment bolts; loosening one side and tightening the other.

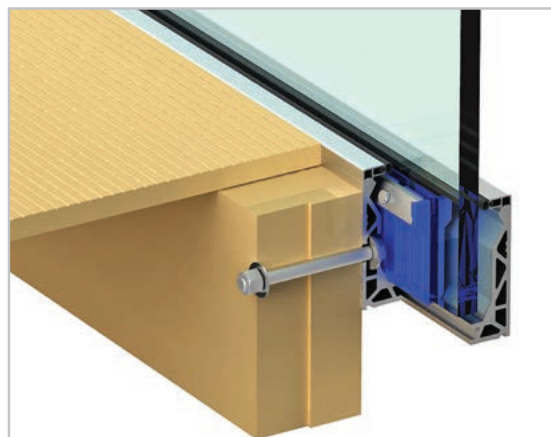
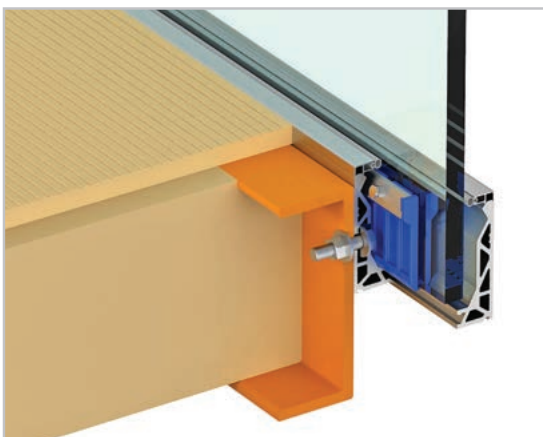
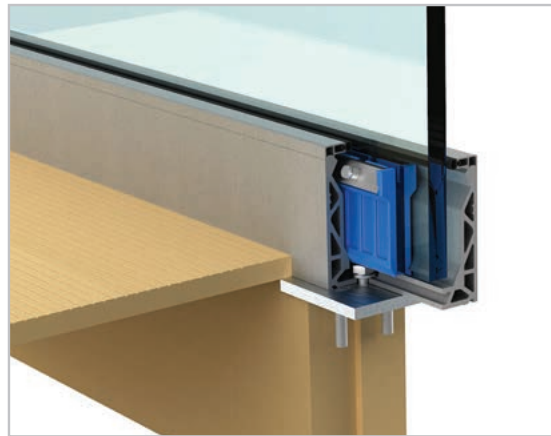
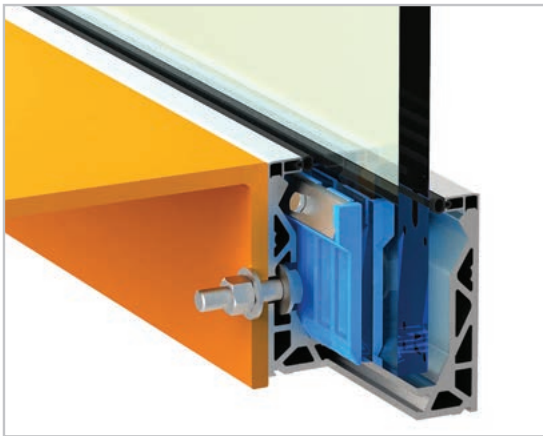
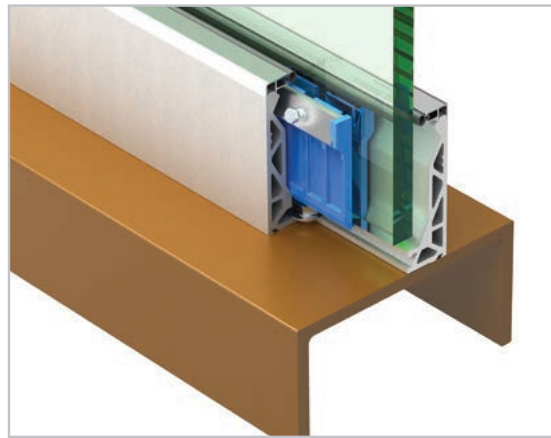
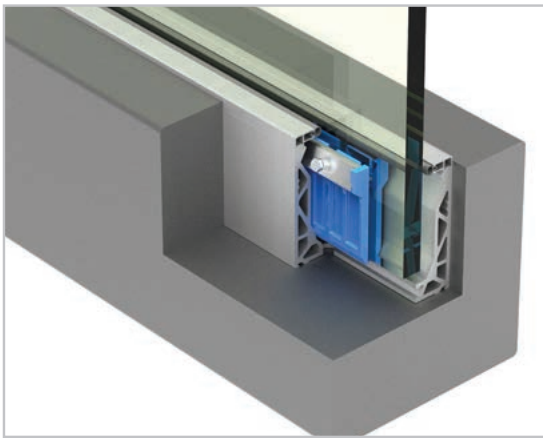
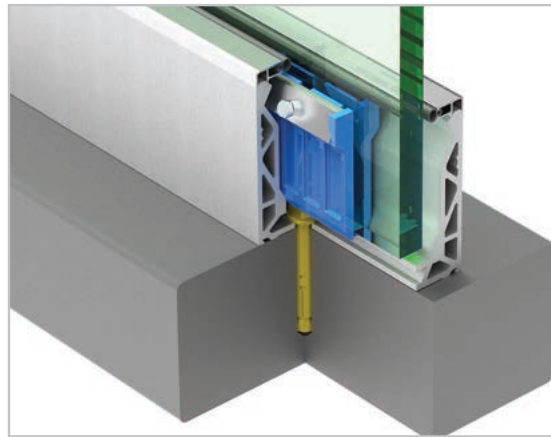
This will allow the alignment of the glass with the adjacent panel and enable vertical alignment of the glass.

### STEP 4

Attach the cover strip (D4) and bead gasket to complete the installation.

## CRL Posiglaze Typical Installations

CRL Posiglaze is suitable for many applications from residential to commercial settings. The surface mount and the fascia mount base shoes can both accommodate 12 mm to 21.52 mm glass thanks to the unique clamp kit design, providing many practical advantages over other systems on the market.



# CRL Posiglaze Typical Installations

## Concrete Substrate

### Surface Mounted Base Shoe

GLASS THICKNESS	BASE SHOE CAT. NO.	PREDRILLED 1ST HOLE DISTANCE FROM EDGE OF BASE SHOE (MM)	PREDRILLED CENTRE-TO-CENTRE HOLE DISTANCE (MM)	FIXING HOLE CENTRES USED (MM)	# OF CLAMPS PER M
12 mm toughened monolithic	EPGDBN	100	200	400	3
15 mm toughened monolithic	EPGDBN	100	200	400	4
19 mm toughened monolithic	EPGDBN	100	200	200	4
13.52 mm toughened laminated SGP Interlayer	EPGDBN	100	200	400	3
17.52 mm toughened laminated PVB Interlayer	EPGDBN	100	200	400	4
21.52 mm toughened laminated PVB Interlayer	EPGDBN	100	200	400	4
21.52 mm toughened laminated SGP Interlayer	EPGDBN	100	200	200	4

### Fascia Mounted Base Shoe

GLASS THICKNESS	BASE SHOE CAT. NO.	PREDRILLED 1ST HOLE DISTANCE FROM EDGE OF BASE SHOE (MM)	PREDRILLED CENTRE-TO-CENTRE HOLE DISTANCE (MM)	FIXING HOLE CENTRES USED (MM)	# OF CLAMPS PER M
12 mm toughened monolithic	EPGFA	100	200	400	3
15 mm toughened monolithic	EPGFA	100	200	400	4
19 mm toughened monolithic	EPGFA	100	200	200	4
13.52 mm toughened laminated SGP Interlayer	EPGFA	100	200	400	3
17.52 mm toughened laminated PVB Interlayer	EPGFA	100	200	400	4
21.52 mm toughened laminated PVB Interlayer	EPGFA	100	200	200	4
21.52 mm toughened laminated SGP Interlayer	EPGFA	100	200	200	5

## Steel Substrate

### Surface Mounted Base Shoe

GLASS THICKNESS	BASE SHOE CAT. NO.	PREDRILLED 1ST HOLE DISTANCE FROM EDGE OF BASE SHOE (MM)	PREDRILLED CENTRE-TO-CENTRE HOLE DISTANCE (MM)	FIXING HOLE CENTRES USED (MM)	# OF CLAMPS PER M
12 mm toughened monolithic	EPGDBN	100	200	400	3
15 mm toughened monolithic	EPGDBN	100	200	400	4
19 mm toughened monolithic	EPGDBN	100	200	200	4
13.52 mm toughened laminated SGP Interlayer	EPGDBN	100	200	400	3
17.52 mm toughened laminated PVB Interlayer	EPGDBN	100	200	400	4
21.52 mm toughened laminated PVB Interlayer	EPGDBN	100	200	400	4
21.52 mm toughened laminated SGP Interlayer	EPGDBN	100	200	200	4

### Fascia Mounted Base Shoe

GLASS THICKNESS	BASE SHOE CAT. NO.	PREDRILLED 1ST HOLE DISTANCE FROM EDGE OF BASE SHOE (MM)	PREDRILLED CENTRE-TO-CENTRE HOLE DISTANCE (MM)	FIXING HOLE CENTRES USED (MM)	# OF CLAMPS PER M
12 mm toughened monolithic	EPGFA	100	200	400	3
15 mm toughened monolithic	EPGFA	100	200	400	4
19 mm toughened monolithic	EPGFA	100	200	200	4
13.52 mm toughened laminated SGP Interlayer	EPGFA	100	200	400	3
17.52 mm toughened laminated PVB Interlayer	EPGFA	100	200	400	4
21.52 mm toughened laminated PVB Interlayer	EPGFA	100	200	200	4
21.52 mm toughened laminated SGP Interlayer	EPGFA	100	200	200	5

\* CRL always recommend consulting local building authority/structural engineer for guidance

\*\* Please consult BS 6180:2011 for installation design guidance

RECOMMENDED FIXING	HORIZONTAL UNIFORMLY DISTRIBUTED LINE LOAD ACHIEVED (KN/M)	BRIEF TYPE OF OCCUPANCY FOR PART OF THE BUILDING OR STRUCTURE
M8 x 110 mm concrete anchor (EAM8)	0.36	Domestic & residential internal applications
M8 x 110 mm concrete anchor (EAM8)	0.74	Domestic & residential external applications including Juliette balconies
M8 x 110 mm concrete anchor (EAM8)	1.5	Areas where people may congregate, restaurants & bars
M8 x 110 mm concrete anchor (EAM8)	0.36	Domestic & residential internal applications
M8 x 110 mm concrete anchor (EAM8)	0.36	Domestic & residential internal applications
M8 x 110 mm concrete anchor (EAM8)	0.74	Domestic & residential external applications including Juliette balconies
M8 x 110 mm concrete anchor (EAM8)	1.5	Areas where people may congregate, restaurants & bars

RECOMMENDED FIXING	HORIZONTAL UNIFORMLY DISTRIBUTED LINE LOAD ACHIEVED (KN/M)	BRIEF TYPE OF OCCUPANCY FOR PART OF THE BUILDING OR STRUCTURE
M8 x 110 mm concrete anchor (EAM8)	0.36	Domestic & residential internal applications
M8 x 110 mm concrete anchor (EAM8)	0.74	Domestic & residential external applications including Juliette balconies
M8 x 110 mm concrete anchor (EAM8)	1.5	Areas where people may congregate, restaurants & bars
M8 x 110 mm concrete anchor (EAM8)	0.36	Domestic & residential internal applications
M8 x 110 mm concrete anchor (EAM8)	0.36	Domestic & residential internal applications
M8 x 110 mm concrete anchor (EAM8)	0.74	Domestic & residential external applications including Juliette balconies
M8 x 110 mm concrete anchor (EAM8)	1.5	Areas where people may congregate, restaurants & bars

RECOMMENDED FIXING	HORIZONTAL UNIFORMLY DISTRIBUTED LINE LOAD ACHIEVED (KN/M)	BRIEF TYPE OF OCCUPANCY FOR PART OF THE BUILDING OR STRUCTURE
Machine bolt S/S M12 X 40 mm (HHM12X40)	0.36	Domestic & residential internal applications
Machine bolt S/S M12 X 40 mm (HHM12X40)	0.74	Domestic & residential external applications including Juliette balconies
Machine bolt S/S M12 X 40 mm (HHM12X40)	1.5	Areas where people may congregate, restaurants & bars
Machine bolt S/S M12 X 40 mm (HHM12X40)	0.36	Domestic & residential internal applications
Machine bolt S/S M12 X 40 mm (HHM12X40)	0.36	Domestic & residential internal applications
Machine bolt S/S M12 X 40 mm (HHM12X40)	0.74	Domestic & residential external applications including Juliette balconies
Machine bolt S/S M12 X 40 mm (HHM12X40)	1.5	Areas where people may congregate, restaurants & bars

RECOMMENDED FIXING	HORIZONTAL UNIFORMLY DISTRIBUTED LINE LOAD ACHIEVED (KN/M)	BRIEF TYPE OF OCCUPANCY FOR PART OF THE BUILDING OR STRUCTURE
Machine bolt S/S M12 X 40 mm (HHM12X40)	0.36	Domestic & residential internal applications
Machine bolt S/S M12 X 40 mm (HHM12X40)	0.74	Domestic & residential external applications including Juliette balconies
Machine bolt S/S M12 X 40 mm (HHM12X40)	1.5	Areas where people may congregate, restaurants & bars
Machine bolt S/S M12 X 40 mm (HHM12X40)	0.36	Domestic & residential internal applications
Machine bolt S/S M12 X 40 mm (HHM12X40)	0.36	Domestic & residential internal applications
Machine bolt S/S M12 X 40 mm (HHM12X40)	0.74	Domestic & residential external applications including Juliette balconies
Machine bolt S/S M12 X 40 mm (HHM12X40)	1.5	Areas where people may congregate, restaurants & bars

**NOTE: BS6180:2011 STIPULATES THAT WHEN TOUGHENED MONOLITHIC GLASS IS USED, A CAP RAIL IS ALWAYS REQUIRED.**



## CRL Posiglaze Surface Mount Base Shoe



For a standard 3 m surface mount installation, the following components will be required:

- 1 x 3 m Surface Mount Base Shoe
- 2 x 3 m Top Clip
- 1 x Clamp kit to suit specified glass thickness
- 1 x Spanner

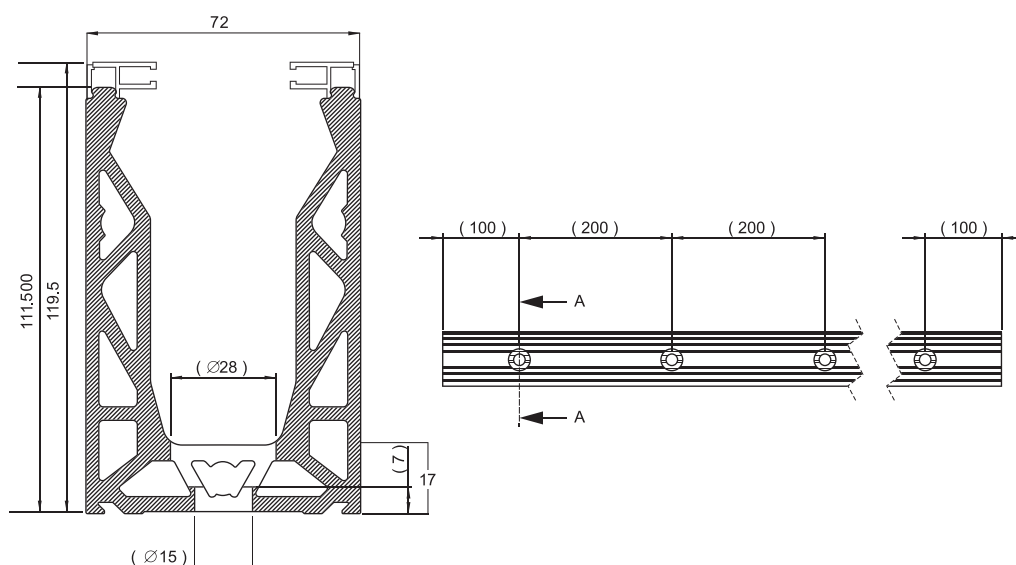


### Surface Mount Base Shoe

- For use with 12 to 21.52 mm glass
- Predrilled first hole from edge of base shoe: 100 mm
- Predrilled centre-to-centre hole distance: 200 mm
- Hole suited to 12 mm fixing bolt and counter bored to sink the bolt head
- 3 m length

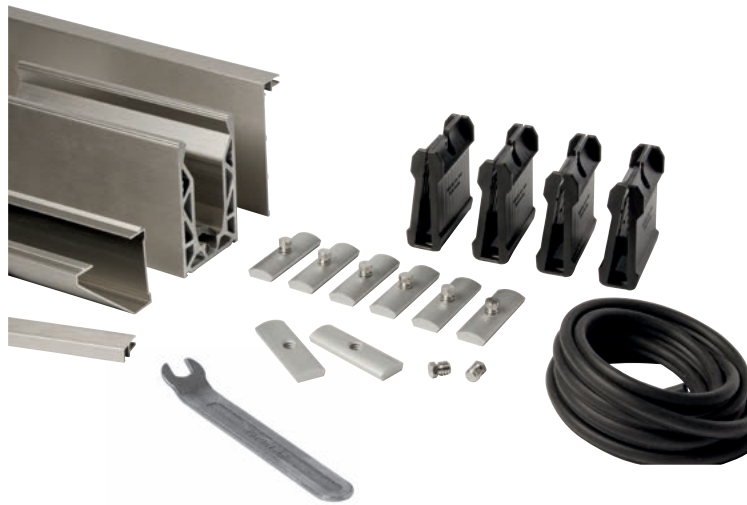
**Cat. No. EPGDBN**  
Brushed Stainless Steel  
Anodised finish

**Cat. No. EPGDBL**  
Black Anodised finish



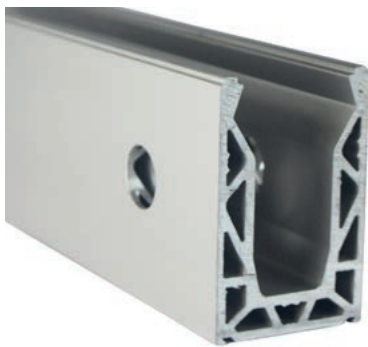


## CRL Posiglaze Fascia Mount Base Shoe



**For a standard 3 m fascia mount installation, the following components will be required:**

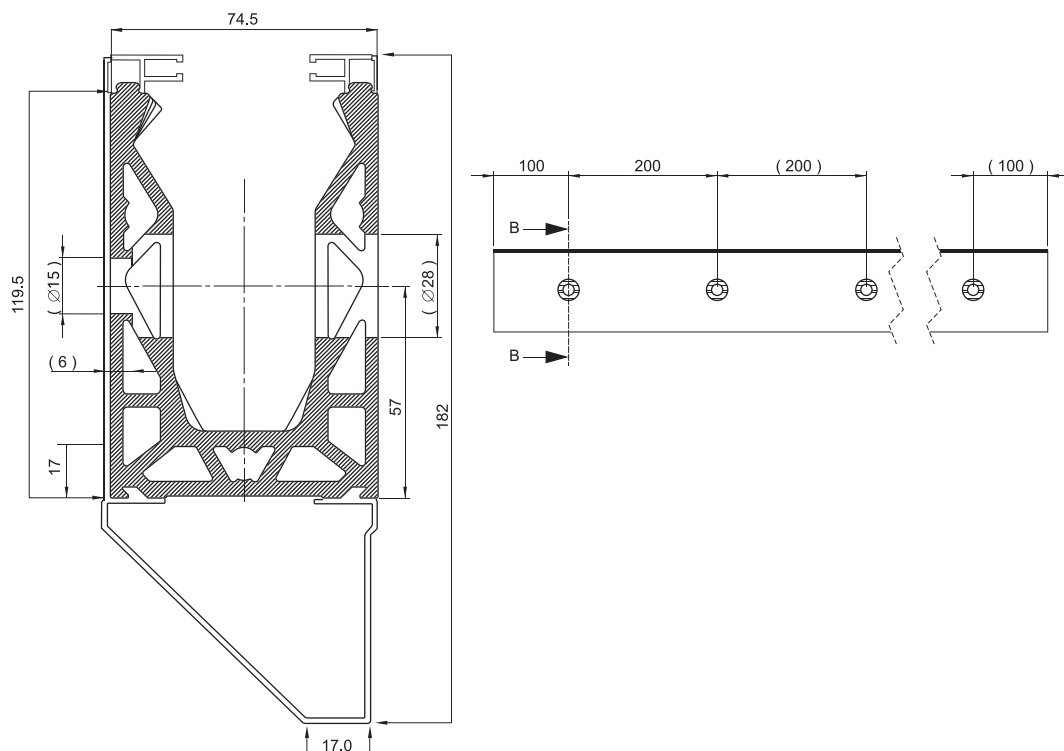
- 1 x 3 m Fascia Mount Base Shoe
- 1 x 3 m Top Clip
- 1 x 3 m Side Cladding
- 1 x Clamp kit to suit specified glass thickness
- 1 x Spanner



### Fascia Mount Base Shoe

Cat. No. EPGFA

- For use with 12 to 21.52 mm glass
- Predrilled first hole from edge of base shoe: 100 mm
- Predrilled centre-to-centre hole distance: 200 mm
- Drilled through both walls, one side to allow socket through
- Hole suited to 12 mm fixing bolt and counter bored to sink the bolt head
- 3 m length
- Natural Anodised finish



# CRL Posiglaze Components



## 90° Corner

- Pre-fabricated 90° corner
- Supplied with 4 dowels for easier fitting
- Does not include extra top clip or side cladding

**Cat. No. EPG90BN**  
Brushed Stainless Steel  
Anodised finish

**Cat. No. EPG90BL**  
Black Anodised finish



## Top Clip

- Holds the gasket
- Pressed onto the channel at the end of the installation
- Covers the clamps from and prevents debris from entering the channel
- 3 m length

**Cat. No. EPGTS**  
Brushed Stainless Steel  
Anodised finish

**Cat. No. EPGTSBL**  
Black Plastic



## Bottom Cladding

- For use with fascia mount base shoe if required
- Gives an angled finish to the bottom of the channel
- Clips into the grooves under the channel
- Requires adhesive for securing in place
- 3 m length
- Brushed Stainless Steel Anodised finish

**Cat. No. EPGCLADB**



## Side Cladding

- For use with fascia mount base shoe to cover the drill holes from view
- Holds the gasket in place and covers the clamps from view
- Requires adhesive to hold flat surface against channel
- 3 m length
- Brushed Stainless Steel Anodised finish

**Cat. No. EPGFLADB**



## Clamp Kits (inc. clamps, gasket, bars, bolts)

- Includes enough components to suit a 3 m length of base shoe
- Glass clamps have a  $\pm 1$  mm tolerance to accommodate varying interlayer thicknesses in the glass
- Includes the clamp bars which sit into the top mould of the clamps and the clamp bolts which screw into the bars and are then undone to hold the glass in place. These are undone and tightened each side allowing the glass alignment
- Includes 6 m gasket to suit glass thickness

**Cat. No. EPG12SET**  
For 12 mm glass

**Cat. No. EPG13SET**  
For 13.52 mm glass

**Cat. No. EPG15SET**  
For 15 mm glass

**Cat. No. EPG17SET**  
For 17.52 mm glass

**Cat. No. EPG19SET**  
For 19 mm glass

**Cat. No. EPG21SET**  
For 21.52 mm glass

# CRL Posiglaze Components



## End Caps

- Cut to suit each option
- Adhesive required to hold them in place

**Cat. No. EPGDECBN**  
End Cap for Surface Mount Base Shoe, Brushed Stainless Steel Anodised finish

**Cat. No. EPGDECBL**  
End Cap for Surface Mount Base Shoe, Black Anodised finish

**Cat. No. EPGFECBN**  
End Cap One Side-Clad, Brushed Stainless Steel Anodised finish

**Cat. No. EPGFEC2BN**  
End Cap Two Side-Clad, Brushed Stainless Steel Anodised finish

**Cat. No. EPGBCECRBN**  
End Cap Shaped Right, Brushed Stainless Steel Anodised finish

**Cat. No. EPGBCECLBN**  
End Cap Shaped Left, Brushed Stainless Steel Anodised finish



## Dowel

- Used to allow for better aligning when joining base shoe sections together
- 3 slots in the base shoe to hold dowels although 2 would be enough

**Cat. No. EPGP1N**



## Spanner

- With angle to reach the clamp to tighten/loosen the glass
- Material: Steel

**Cat. No. EPGSPAN**



## Drain Block

- Fitted between the substrate and the base shoe behind each hole to allow water to escape
- Material: Anodised Aluminium

**Cat. No. EPGDDB**  
For Surface Mount Base Shoe

**Cat. No. EPGFDB**  
For Fascia Mount Base Shoe



## Black Touch Up Paint

- For use with Posiglaze base shoe products
- Black Anodised finish

**Cat. No. EPGPAINTBL**











## Introducing CRL Spig-Lite Pro

CRL Spig-Lite Pro is our latest adjustable glass balustrade system that uses individual spigots and utilises the same adjustable clamping system method as CRL Posiglaze. It is quick and easy to install, raising the glass to 32 mm above the floor level which produces natural drainage.

It has been tested to BS6180:2011 to achieve 0.74kN loading required for residential and small commercial applications.

TESTED TO  
**BS6180:2011**

## CRL Spig-Lite Pro is ideal for residential balustrade installations.

### ONLY 2 SPIGOTS & FIXINGS REQUIRED PER METRE

Extremely quick to install, elongated holes to allow for easy alignment.

### NO NEED TO DRILL THE GLASS

Our glass clamping mechanism removes the need to hold the glass with locking pins.

### NO DRAINAGE ISSUES

Free drainage between the spigots means no water gets trapped inside the balcony area.

### USES THE SAME PROVEN ADJUSTMENT SYSTEM AS POSIGLAZE

Horizontal alignment of each glass panel, ensuring the top edge of the glass is equal.

### EXCELLENTLY ENGINEERED

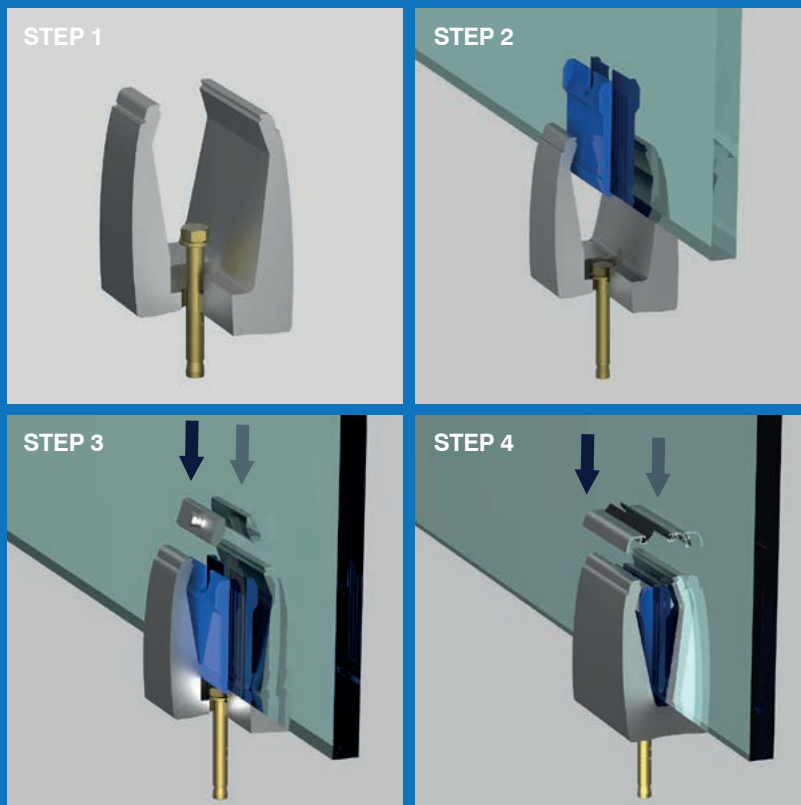
Tested to BS6180:2011 - 0.74kN for private residential and small commercial applications.

### GLASS THICKNESSES

- 12 mm and 15 mm toughened monolithic glass
- 21.52 mm toughened laminated glass

**NOTE:** ALL GLASS CLAMPS HAVE A 1 MM TOLERANCE TO ACCEPT VARYING INTERLAYING THICKNESSES

TESTED TO  
**BS6180:2011**



## Spig-Lite Pro is so easy to install

### STEP 1

Bolt the spigots to the substrate  
(Only 2 spigots required per metre).

### STEP 2

Firmly squeeze the clamps around the glass and lower into the Spigots.

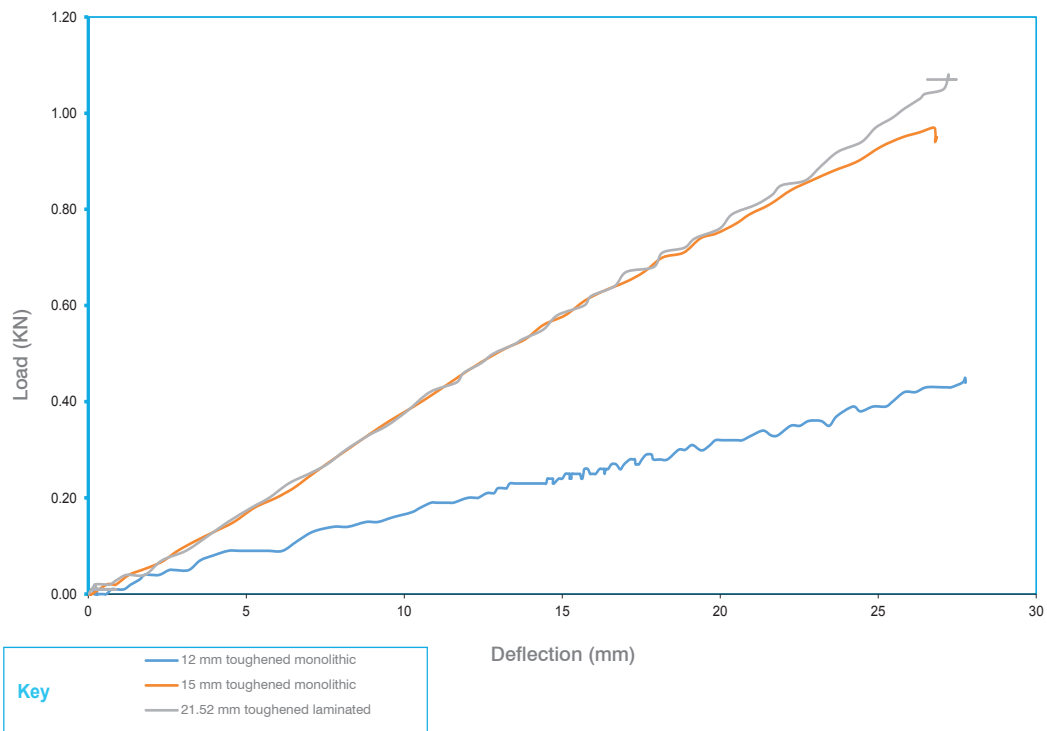
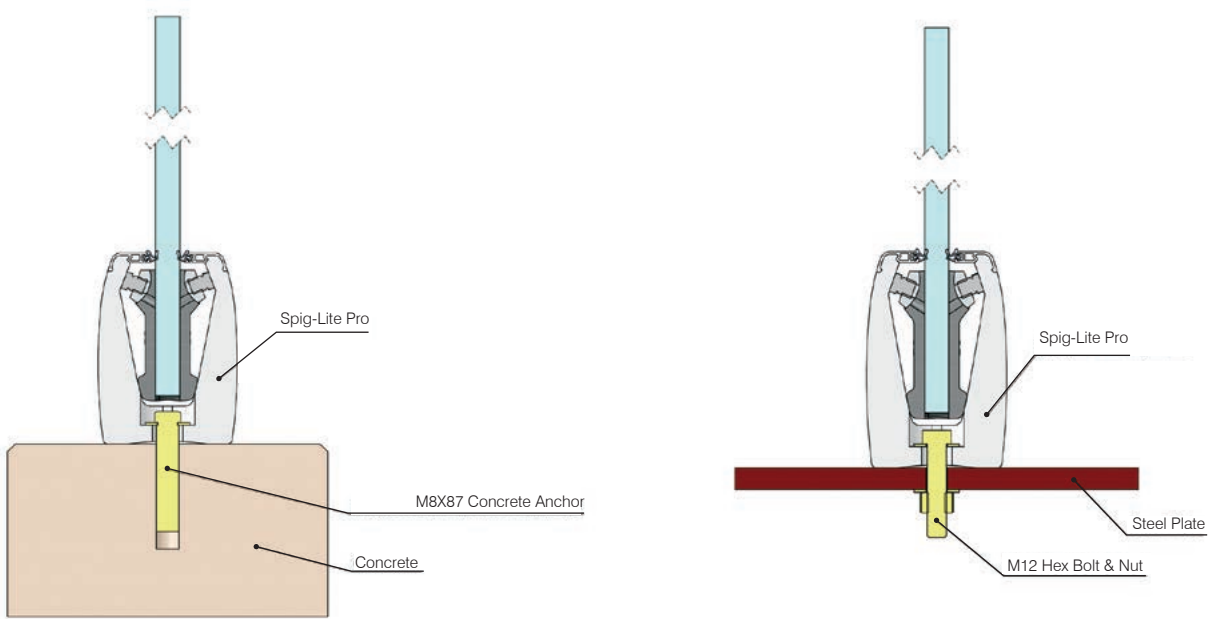
### STEP 3

Thread the bolt in the clamp bar and position them within the moulded clamp area. Adjust and lock the glass in position by undoing the screw.

### STEP 4

Slip the gasket in the top recess of the top bead. Apply adhesive to the top bead and place on the Spigot.

# CRL Spig-Lite Pro Typical Installations



GLASS SPAN (MM)	GLASS THICKNESS	TEST HEIGHT (MM)	IMPOSED LINE LOAD AT 25MM DEFLECTION (KN/M)	WORKING LINE LOADS OR SYSTEM (KN/M)	DEFLECTION AT WORKING LINE LOAD FOR SYSTEM (MM)
1000	12 mm toughened monolithic	1100	0.39	0.36	22.8
1000	15 mm toughened monolithic	1100	0.92	0.74	19.38
1000	21.52 mm toughened laminated	1100	0.98	0.74	19.21

# CRL Spig-Lite Pro Spigot

For a standard 1 m glass balustrade, the following components will be required:

- 2 x Spigots
- 2 x Clamps
- 4 x Top Clips
- 1 x 1 m length Gasket
- 1 x Spanner

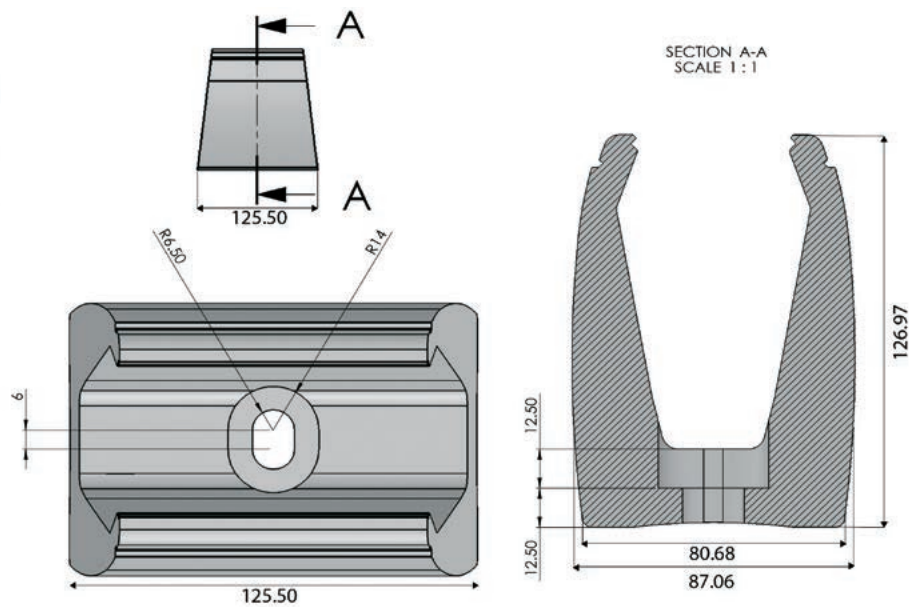


## Spigot

- For use with 12 to 21.52 mm glass
- Pre-drilled in the centre
- Pre-finished Graphite Grey

**Cat. No. ESP1G**  
Spig-Lite Pro Spigot

**Cat. No. ESP1GSAMPLE**  
Spig-Lite Pro Sample





# CRL Spig-Lite Pro Components



## Top Clip

- Holds the gasket
- Pressed onto the channel at the end of the installation
- Pre-finished Graphite Grey

**Cat. No. ESP1GTCL**  
For 12 and 15 mm glass

**Cat. No. ESP1GTCS**  
For 17.52 and 21.52 mm glass



## Clamp Kits

- Glass clamps have a  $\pm 1$  mm tolerance to accommodate varying interlayer thicknesses in the glass
- Includes the clamp bars which sit into the top mould of the clamps and the clamp bolts which screw into the bars and are then undone to hold the glass in place. These are undone and tightened each side allowing the glass alignment.

**Cat. No. ESP1G12C**  
For 12 mm glass

**Cat. No. ESP1G15C**  
For 15 mm glass

**Cat. No. ESP1G17C**  
For 17.52 mm glass

**Cat. No. ESP1G21C**  
For 21.52 mm glass



## Gasket

- 1 m length

**Cat. No. ESP1GGL**  
For 12, 17.52 and 21.52 mm glass

**Cat. No. ESP1GGS**  
For 15 mm glass



## Spanner

- With angle to reach the clamp to tighten/loosen the glass
- Material: Steel

**Cat. No. EPGSPAN**







**Call FREE on 00 800 0421 6144**

**Fax FREE on 00 800 0262 3299**



**Manchester**

Charles Babbage Avenue  
Kingsway Business Park,  
Rochdale, OL16 4NW, England  
Tel: +44 (0) 1706 863 600  
Fax: +44 (0) 1706 869 860  
crlaurence.co.uk



**Stuttgart**

Boschstrasse 7  
D-74360 Ilsfeld  
Germany  
Tel: +49 (0) 7062 915 93 15  
Fax: +49 (0) 7062 915 93 16  
crl.eu



**France**

Boschstrasse 7  
D-74360 Ilsfeld  
Germany  
Tel: +49 (0) 7062 915 93 12  
Fax: +49 (0) 7062 915 93 16  
crlaurence.fr