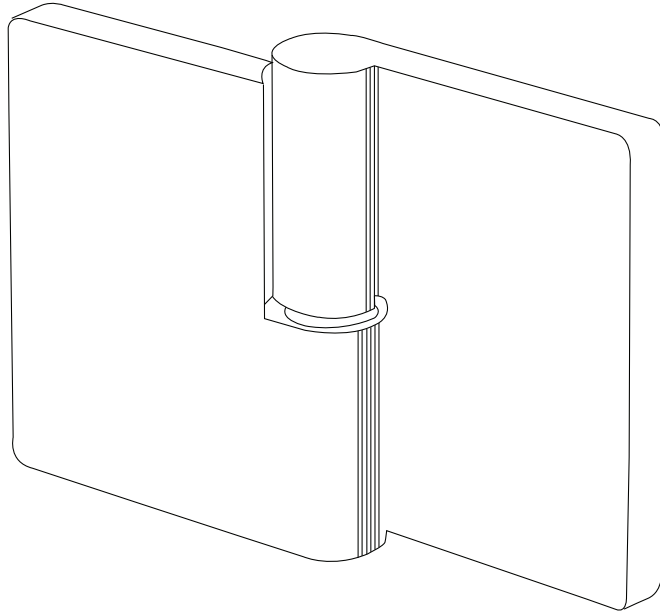




**C.R. LAURENCE CO., INC.**  
**PROFESSIONAL QUALITY**

## Important Information:

This is a one-direction hinge and is designed for an outswing application only.  
**A door strike is required so the door isn't allowed to swing inward and damage the door glass.**



## Specifications:

- Glass Sizes:** 5/16" (8mm) to 3/8" (10mm) thick tempered safety glass
- Construction:** Solid brass
- Closing Type:** Gravity
- Two Holes Required Per Glass Panel**
- Includes:** Gaskets and Template

## Recommendations:

For public safety, we recommend the use of only tempered safety glass.  
 Do not use power tools when installing these hinges.

# RIVIERA

Glass-to-Glass Hinge

**CAT. No. R1V180LN & R1V180RN**

*Maximum Door Capacities	5/16" (8mm) Glass		3/8" (10mm) Glass	
	Weight	Width	Weight	Width
Using 2 Hinges	90 lbs.(41 kg)	36"(914mm)	90 lbs.(41 kg)	30"(762mm)

**\*NOTE:** Do not exceed either maximum weight or width when choosing proper quantity of hinges.

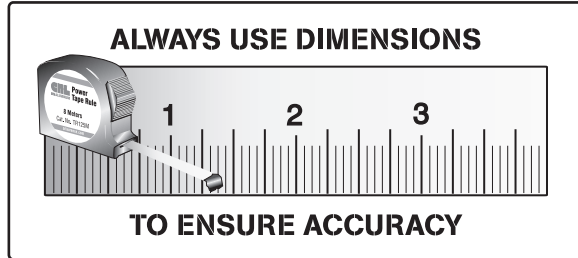
## Maintenance Guidelines:

- Never use an abrasive cleaner on the hardware. Many of the components are coated with a clear lacquer that will be irreparably damaged if subjected to harsh, abrasive chemicals. Advise your customer that drying the hardware with a clean, soft towel on a daily basis is the best way to maintain the hardware. If mineral deposits build-up, mix a couple of drops of a mild liquid soap (such as Ivory or a similar product) into a cup of warm water. Using a soft, non-abrasive cloth, clean the hardware. Rinse thoroughly with clean, warm water and dry.

4M-25



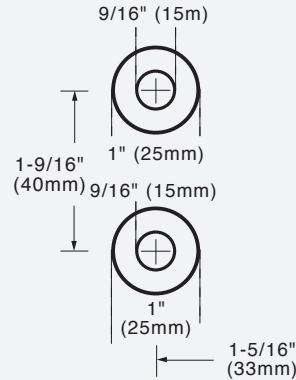
**C.R. LAURENCE CO., INC.**  
PROFESSIONAL QUALITY



**See below for actual hole shape**

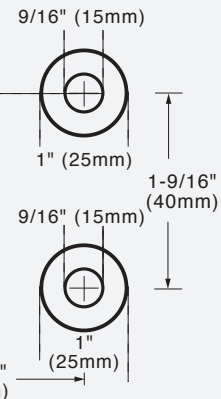
**IMPORTANT:**  
Project measurements from the edge of the glass.

**DOOR GLASS**

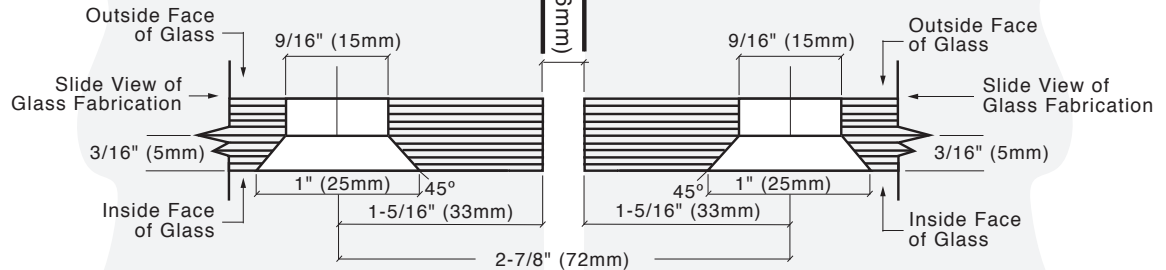


**IMPORTANT:**  
Project measurements from the edge of the glass.

**FIXED PANEL GLASS**



**See below for actual hole shape**



**Drawing Not to Scale**

# RIVIERA

Glass-to-Glass hinge

**Cat. No. R1V180LN & R1V180RN**

C.R. Laurence Co., Inc.  
crlaurence.com

For technical assistance in the United States call toll free (800) 421-6144; from Canada call toll free (877) 421-6144; Outside the U.S. and Canada call (323) 588-1281. Ask for Tech Sales at Extension 7740. Toll free fax (800) 458-7496.