



C.R. LAURENCE CO., INC.
PROFESSIONAL QUALITY

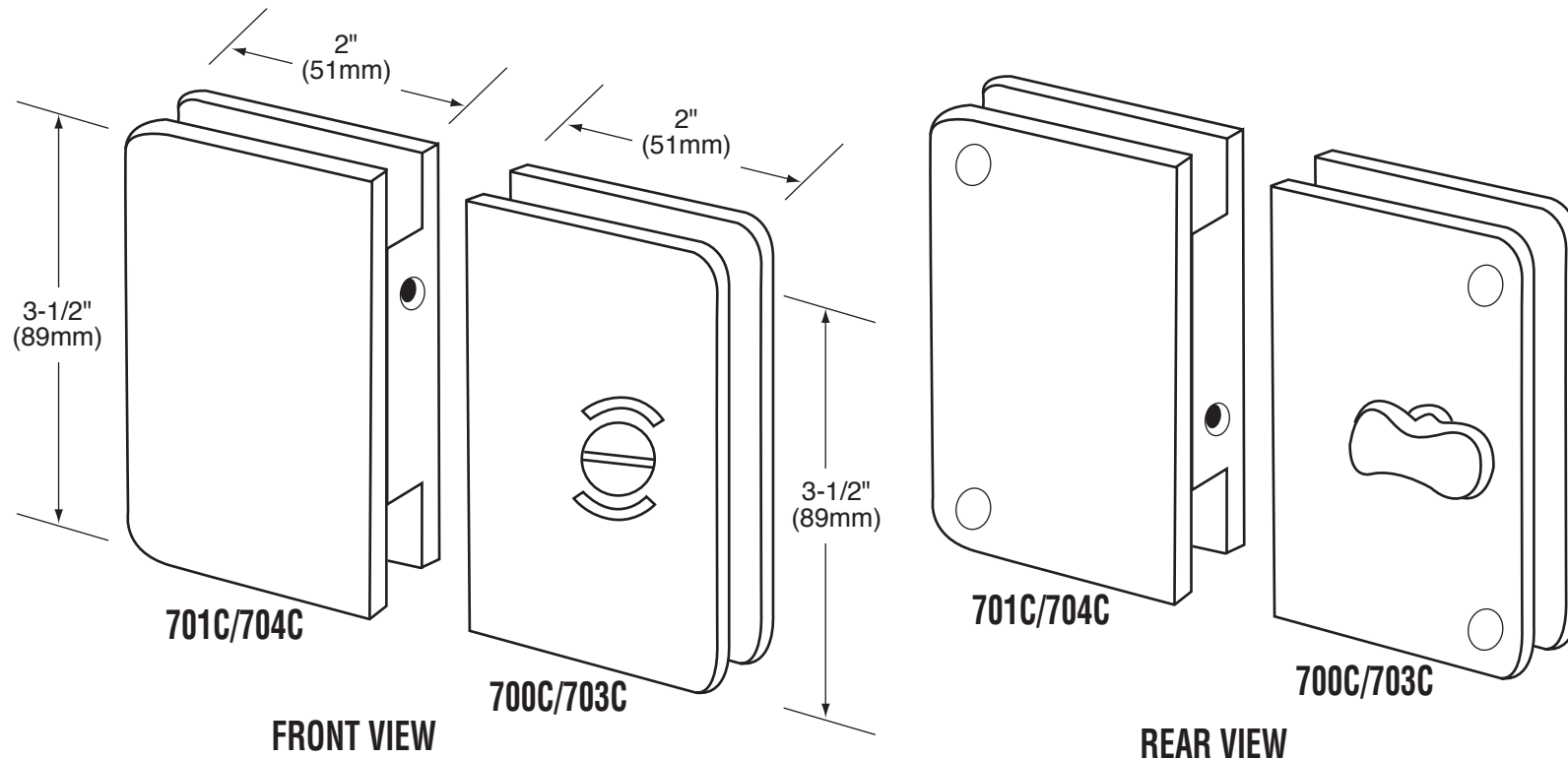
Specifications:

Material: Solid Brass

Glass Thickness: 5/16" (8mm) to 1/2" (12mm)

Notch Required

Includes: Mounting screws and gaskets



GLASS DOOR LOCK WITH INDICATOR AND GLASS DOOR KEEPER

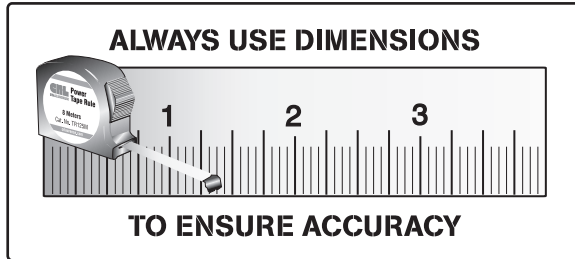
CAT. No. 700C, 701C, 703C AND 704C

Template Shown on Next Page

4Y-37



C.R. LAURENCE CO., INC.
PROFESSIONAL QUALITY



NOTE:
 When using Cat. No. 700C, the minimum clearance between the door glass and the wall/panel is 1/8" (3mm), and the maximum clearance is 1/2" (12mm). The standard recommended clearance is 3/16" (5mm).

NOTE:
 When using Cat. No. 703C and 704C the clearance between panels is 1/16" (1.5mm) to 1/8" (3mm).

GLASS DOOR LOCK WITH INDICATOR AND GLASS DOOR KEEPER

CAT. No. 700C, 701C, 703C AND 704C

C.R. Laurence Co., Inc. For technical assistance in the United States call toll free (800) 421-6144; from Canada call toll free (877) 421-6144; crlaurence.com Outside the U.S. and Canada call (323) 588-1281. Ask for Tech Sales at Extension 7740. Toll free fax (800) 458-7496.

