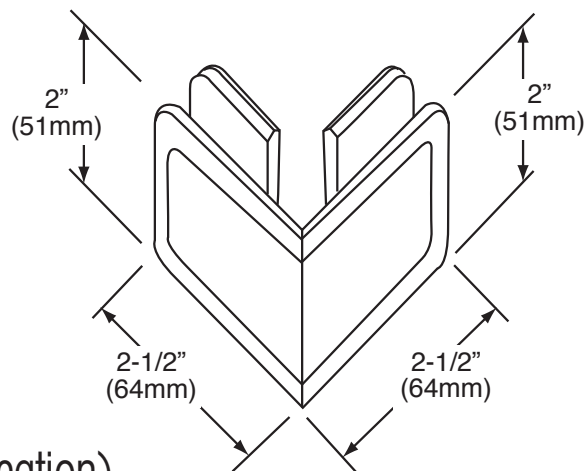


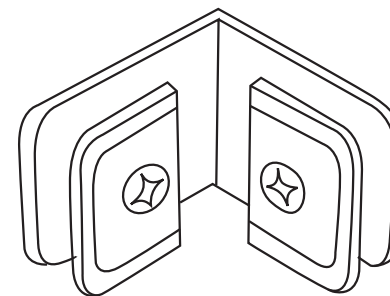


Specifications:

Material: Solid brass
Glass Thickness Range: 3/8" (10mm) to 1/2" (12mm)
Hole Size Required: 3/4" (19mm) or 7/8" (22mm)
 (45° Mitered Glass Option)
Includes: Mounting screws and gaskets



FRONT VIEW



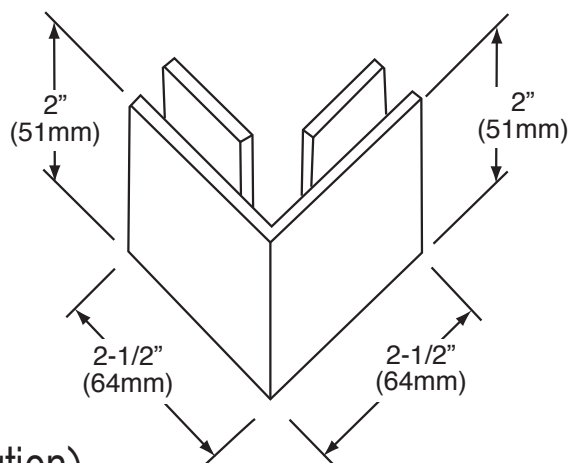
REAR VIEW

Template Shown on Next Page

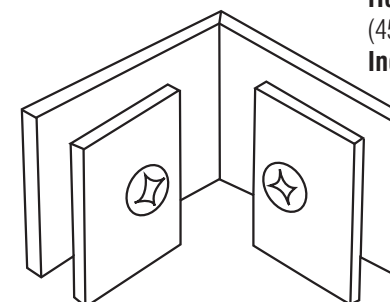
HEAVY DUTY GLASS CLAMPS

90° Glass Clamp
(Glass-to-Glass Application)

CAT. No. **BGC90**



FRONT VIEW



REAR VIEW

Template Shown on Next Page

HEAVY DUTY GLASS CLAMPS

90° Glass Clamp
(Glass-to-Glass Application)

CAT. No. **SGC90**

Specifications:

Material: Solid brass
Glass Thickness Range: 3/8" (10mm) to 1/2" (12mm)
Hole Size Required: 3/4" (19mm) or 7/8" (22mm)
 (45° Mitered Glass Option)
Includes: Mounting screws and gaskets