



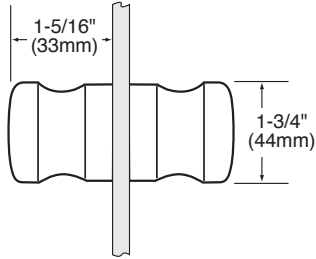
C.R. LAURENCE CO., INC.
PROFESSIONAL QUALITY

BACK-TO-BACK

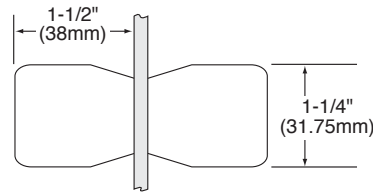
Specifications:

Material: Solid brass
Glass Thickness Range: 1/4" (6mm) to 1/2" (12mm) thick glass
Hole Size Required: 1/2" (12mm) diameter

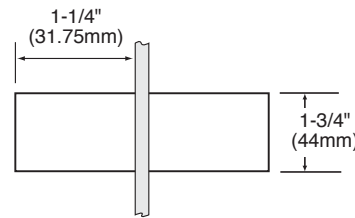
CAT. No. SDK120



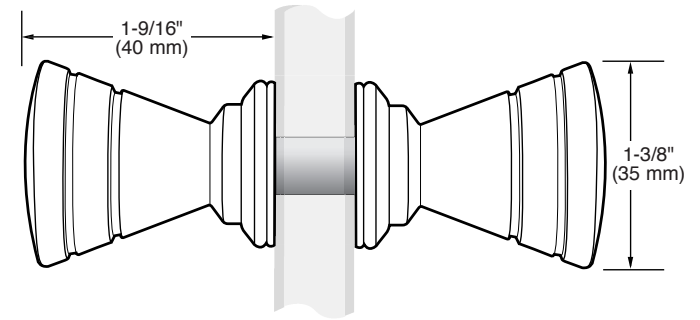
CAT. No. SDK109



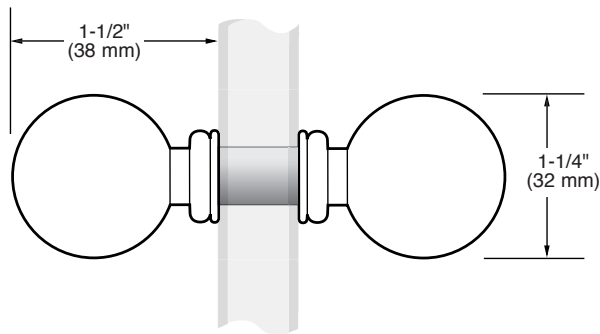
CAT. No. SDK112



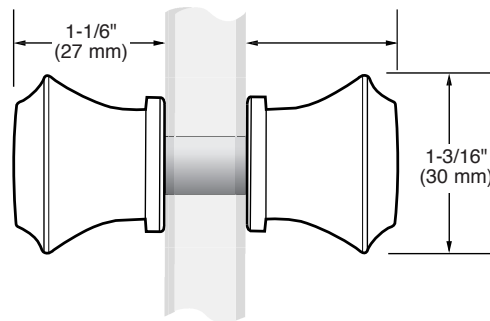
CAT. No. SDK046



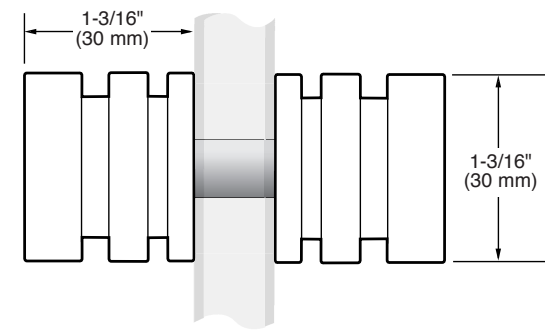
CAT. No. SDK075



CAT. No. SDK053



CAT. No. SDK160



KNOBS

4W-8B

C.R. Laurence Co., Inc.
crlaurence.com

For technical assistance in the United States call toll free (800) 421-6144; from Canada call toll free (877) 421-6144; Outside the U.S. and Canada call (323) 588-1281. Ask for Tech Sales at Extension 7740. Toll free fax (800) 458-7496.

© Copyright 2009, C.R. Laurence Co., Inc._SDT21_U5