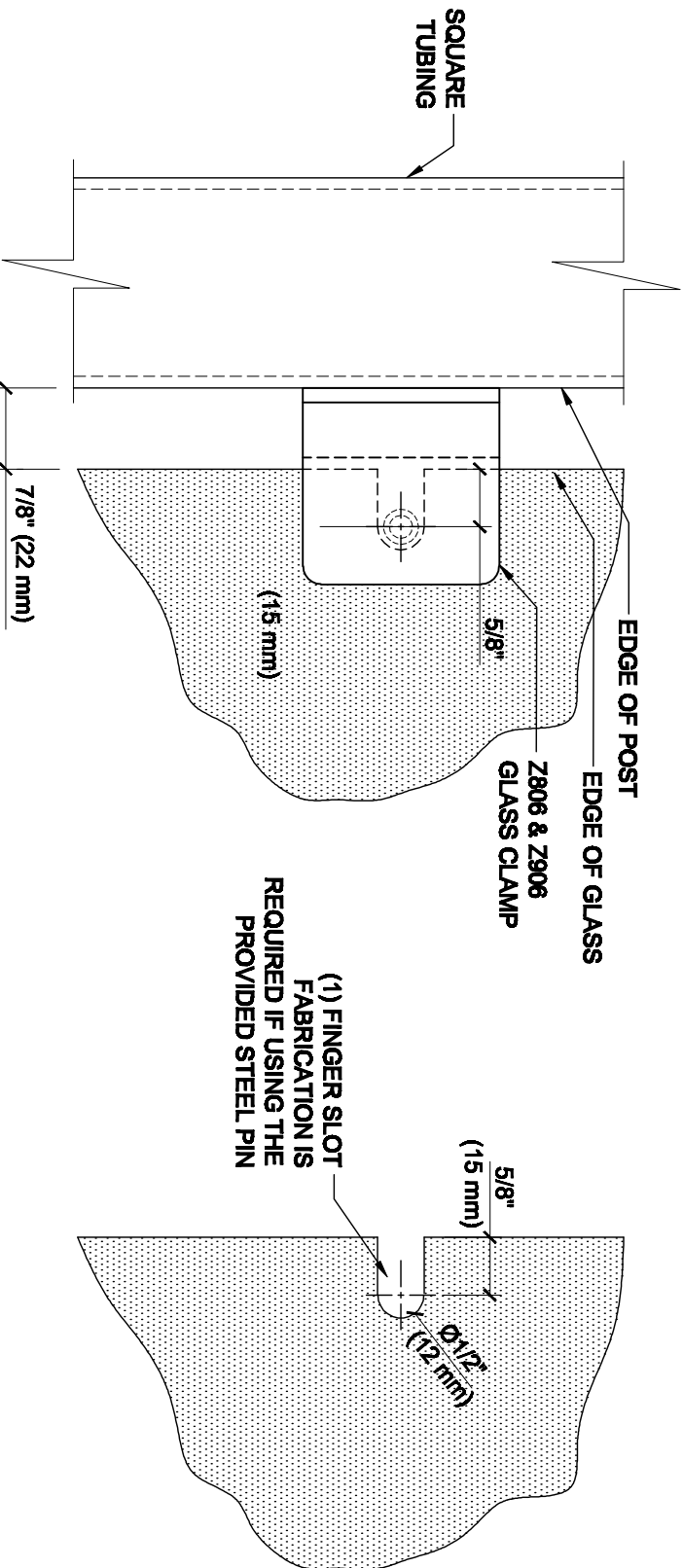
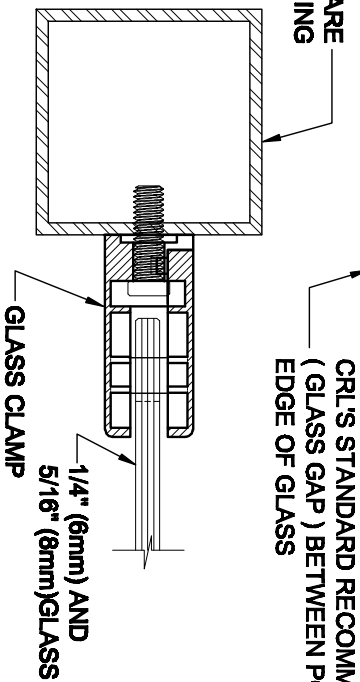


# GLASS FABRICATION TEMPLATE FOR THE Z-SERIES SQUARE TYPE FLAT BASE CLAMPS FOR 1/4" AND 5/16" GLASS



GLASS FABRICATION  
TEMPLATE USED FOR:

CATALOG NUMBER
Z806BR
Z806CH
Z806SC
Z806BN
Z806GP
Z806W
Z906BS
Z906PS



CRL'S STANDARD RECOMMENDED  
(GLASS GAP) BETWEEN POST AND  
EDGE OF GLASS

(1) FINGER SLOT  
FABRICATION IS  
REQUIRED IF USING THE  
PROVIDED STEEL PIN

ALWAYS USE DIMENSIONS SHOWN ON THE PLAN.  
DO NOT SCALE OR DIMENSION ACTUAL DRAWING  
TO ENSURE ACCURACY

**SPECIFICATIONS:**

GLASS THICKNESS: MODELS FOR 1/4" AND 5/16" (6 TO 8 mm) GLASS.  
BASE DESIGN: FLAT BACK  
FOR USE WITH: SQUARE TUBING OR OTHER FLAT SURFACES.  
MATERIAL: CHOICE OF ZINC CONSTRUCTED OR STAINLESS STEEL, STAINLESS STEEL, OR  
POWDER PAINTED ZINC CLAMPS ARE RECOMMENDED FOR MORE DURABILITY  
IN EXTERIOR APPLICATIONS.  
GLASS FABRICATION: FOR 1/4" (6 mm), 5/16" (8mm), THICK GLASS, 1/2" (12mm)  
FINGER SLOT REQUIRED IF USING PROVIDED STEEL PIN FOR GLASS SUPPORT.  
INCLUDES: RUBBER GASKETS AND STEEL PIN (FOR OPTIONAL USE) WITH GROMMET.



ARCHITECTURAL PRODUCTS  
PH: 800-421-6144 FX: 800-282-3289  
WWW.CRLAUGNCE.COM

DESCRIPTION:  
Z-SERIES SQUARE TYPE FLAT BASE GLASS CLAMP  
FOR 1/4" (6mm) & 5/16" (8mm) THICK GLASS

CAT. NO. (SEE CHART)	DATE	10/23/09
FILE NAME: Z806-Gls Flat Rev	SCALE	N.T.S.
DRAWN BY: R.A.	CHECKED BY: C.H.	SHT 1 OF 1